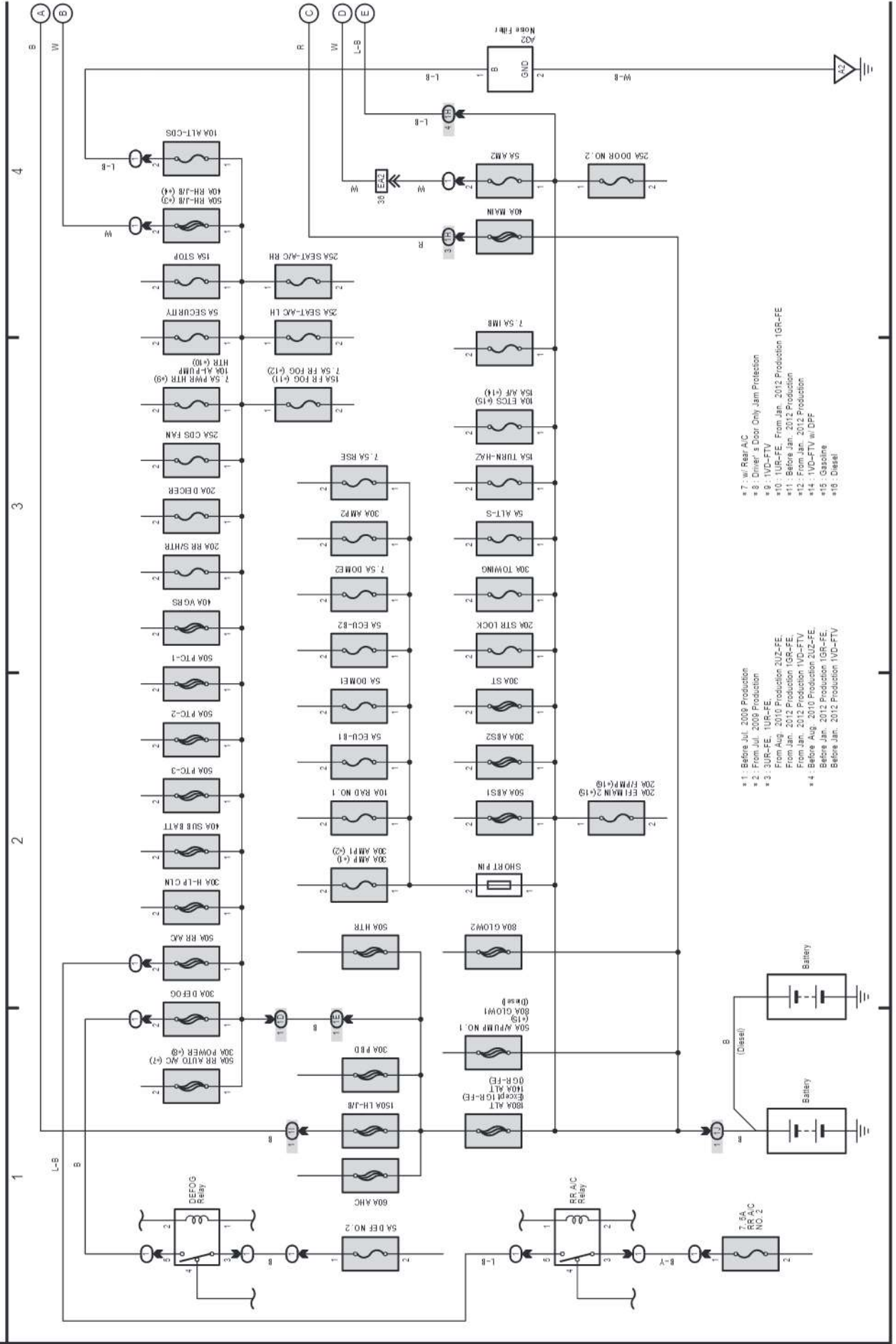


# M OVERALL ELECTRICAL WIRING DIAGRAM

(Cont. next page)

1 LAND CRUISER Station Wagon

Power Source (Before Jan., 2013 Production, From Jan., 2013 Production China)



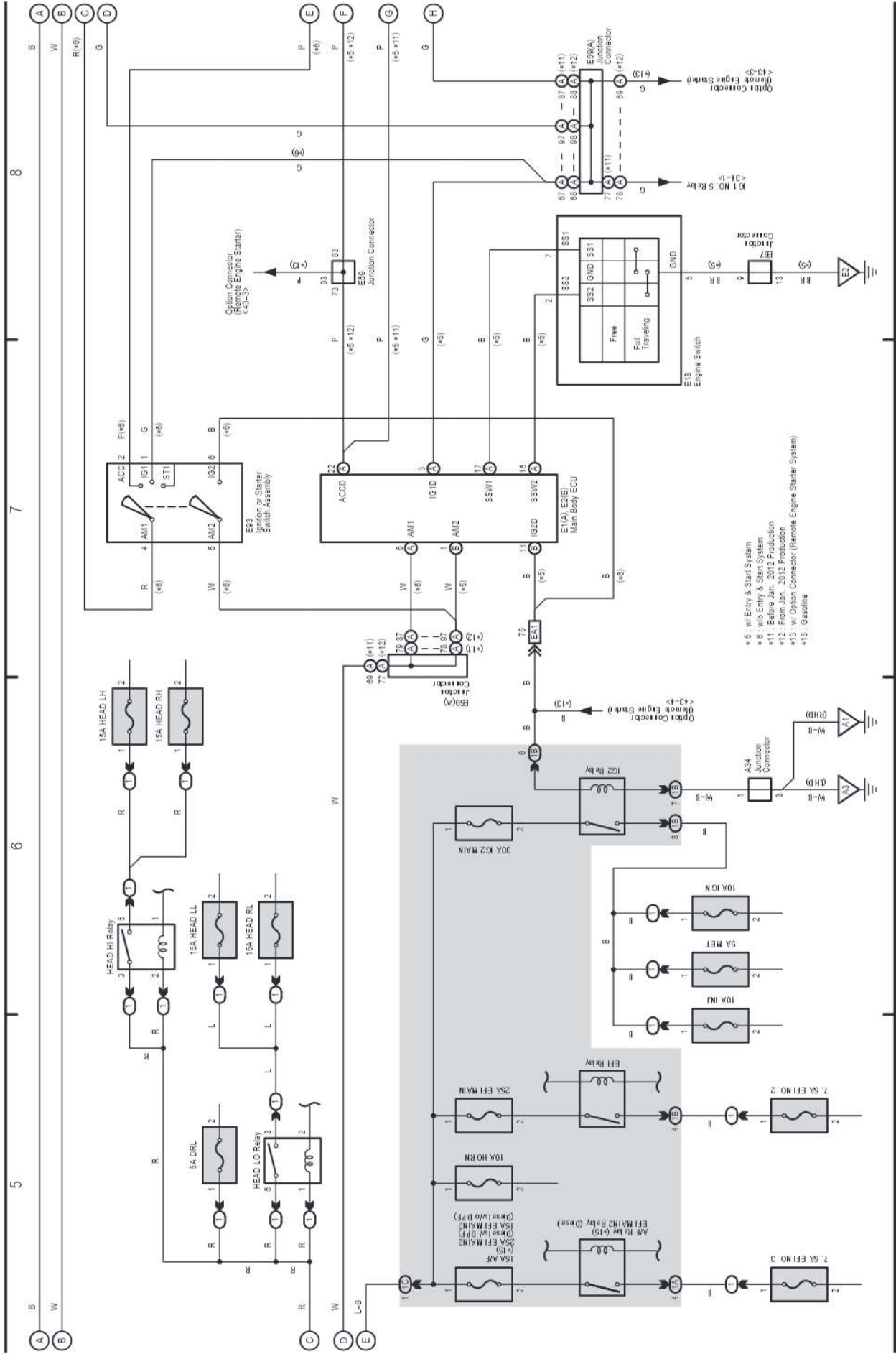
- # 1 : Before Jul. 2008 Production
- # 2 : From Jul. 2008 Production
- # 3 : 3UR-FE, 1UR-FE
- # 4 : Before Aug. 2010 Production 2U2-FE, From Aug. 2010 Production 1GR-FE, From Jan. 2012 Production 1GR-FE
- # 5 : Before Aug. 2010 Production 1VD-FE, From Jan. 2012 Production 1VD-FE
- # 6 : Before Aug. 2010 Production 1GR-FE, From Jan. 2012 Production 1GR-FE
- # 7 : w/ Rear A/C
- # 8 : Driver's Door Only Jam Protection
- # 9 : 1VD-FE
- # 10 : 1UR-FE, From Jan. 2012 Production 1GR-FE
- # 11 : Before Jan. 2012 Production
- # 12 : From Jan. 2012 Production
- # 13 : 1VD-FE w/ DPF
- # 14 : 1VD-FE w/ DPF
- # 15 : Gasoline
- # 16 : Diesel

LAND CRUISER Station Wagon (EM22W1E)

1 LAND CRUISER Station Wagon (Cont' d)

(Cont. next page)

Power Source (Before Jan. 2013 Production, From Jan. 2013 Production China)



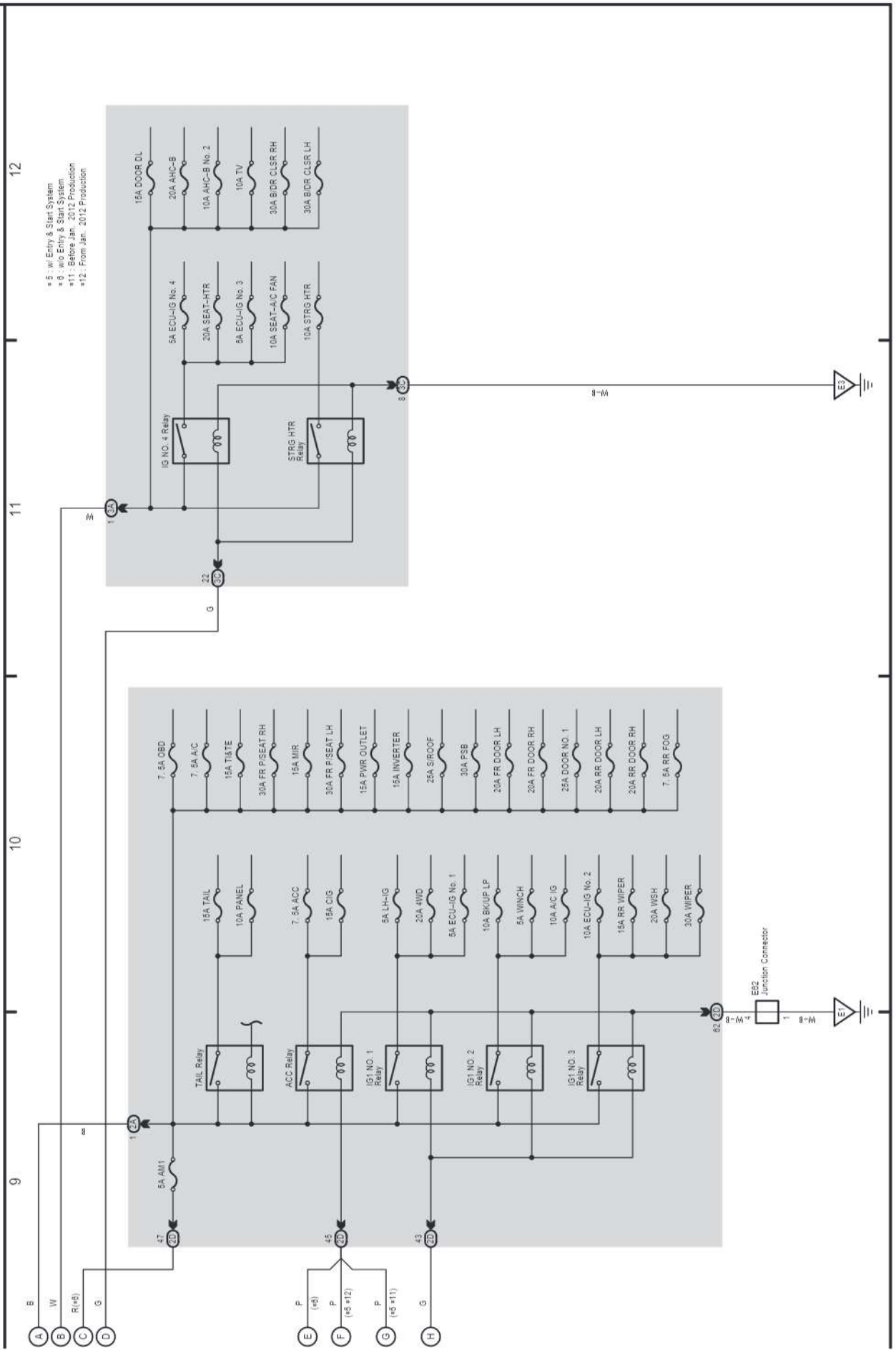
LAND CRUISER Station Wagon (EM22W1E)



# M OVERALL ELECTRICAL WIRING DIAGRAM

## 1 LAND CRUISER Station Wagon (Cont' d)

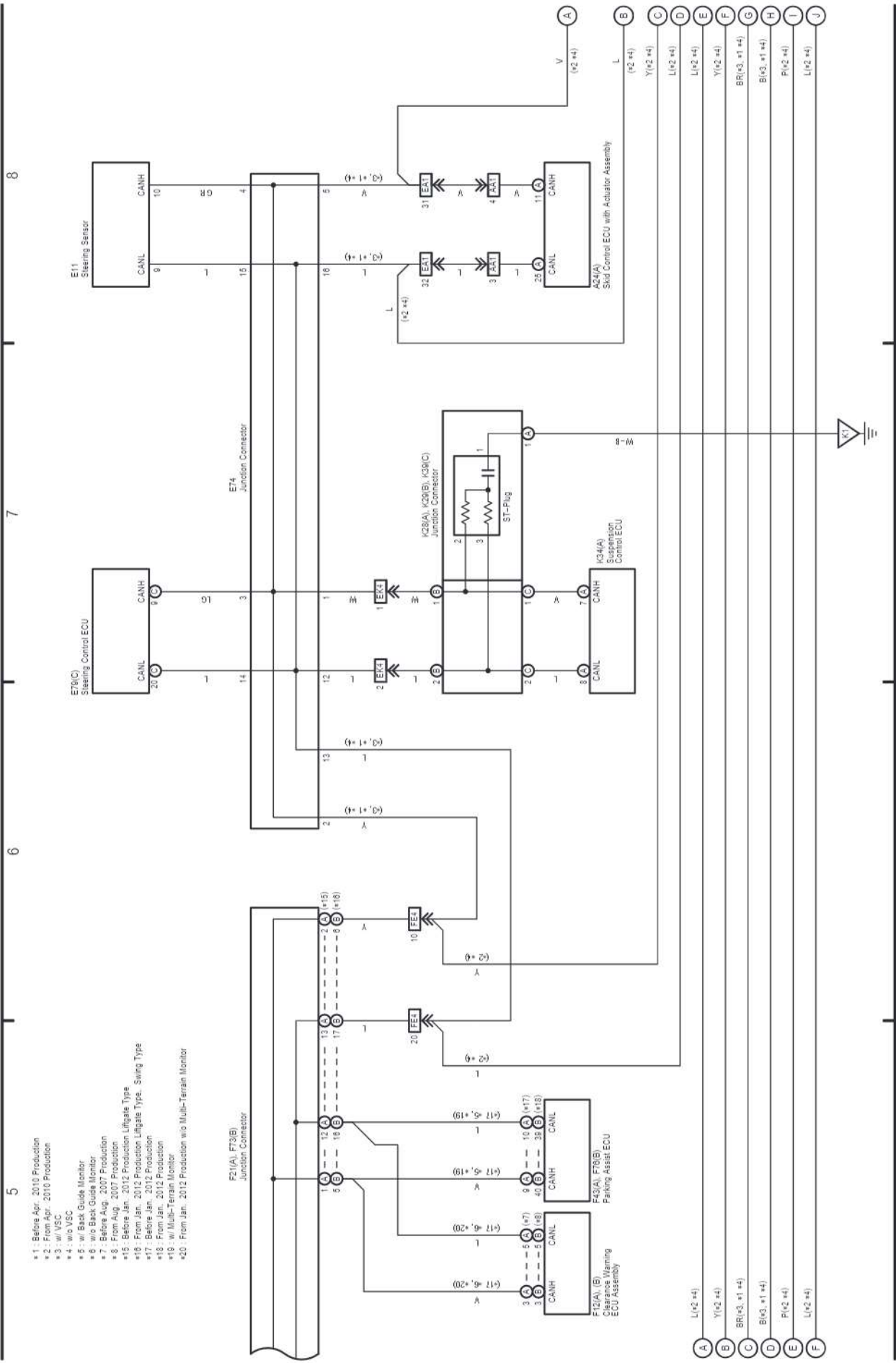
Power Source (Before Jan. 2013 Production, From Jan. 2013 Production China)



LAND CRUISER Station Wagon (EM22W1E)



Multiplex Communication System (CAN LHD) (Before Jan. 2013 Production, From Jan. 2013 Production China)

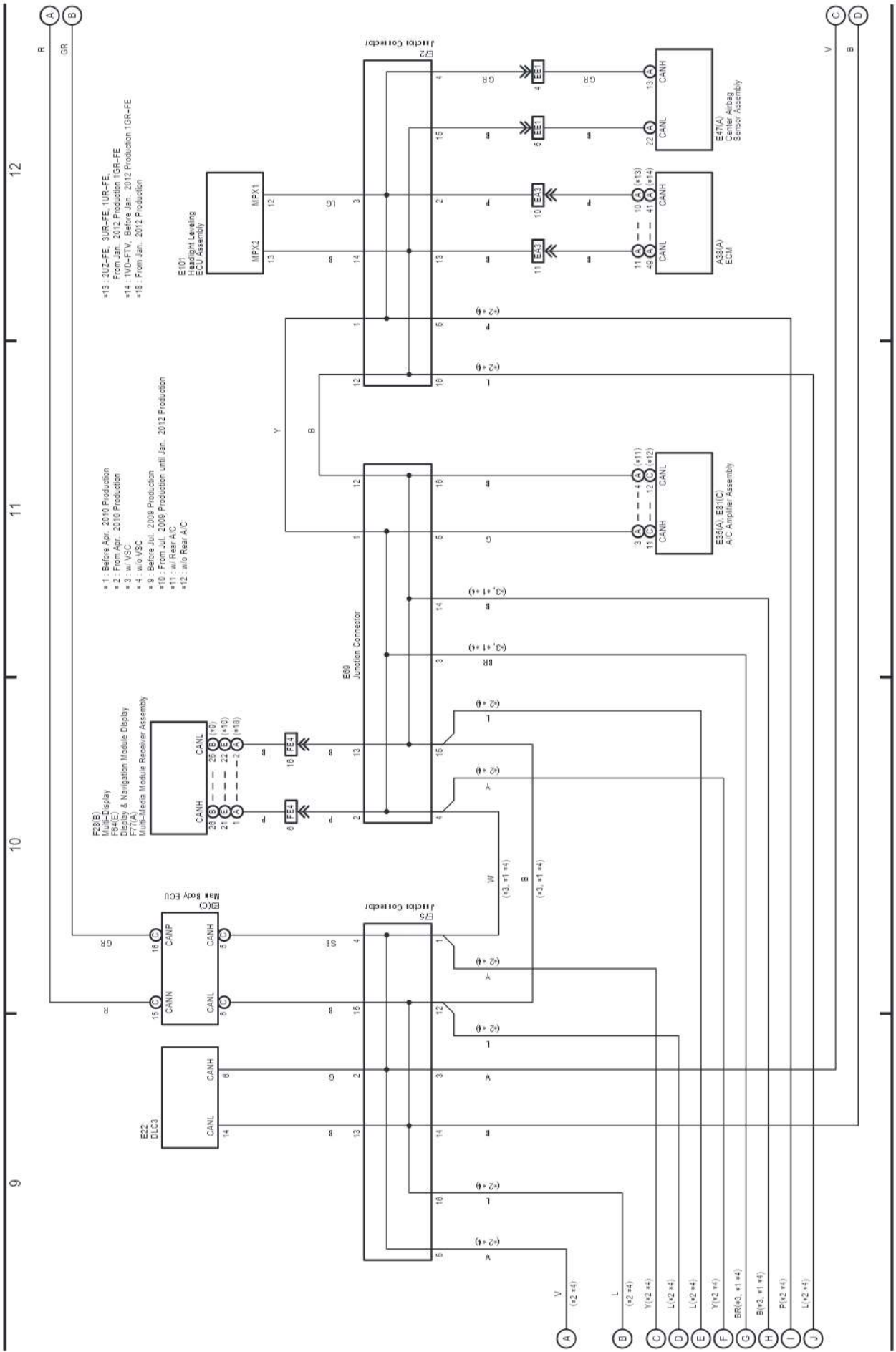


# M OVERALL ELECTRICAL WIRING DIAGRAM

(Cont. next page)

2 LAND CRUISER Station Wagon (Cont' d)

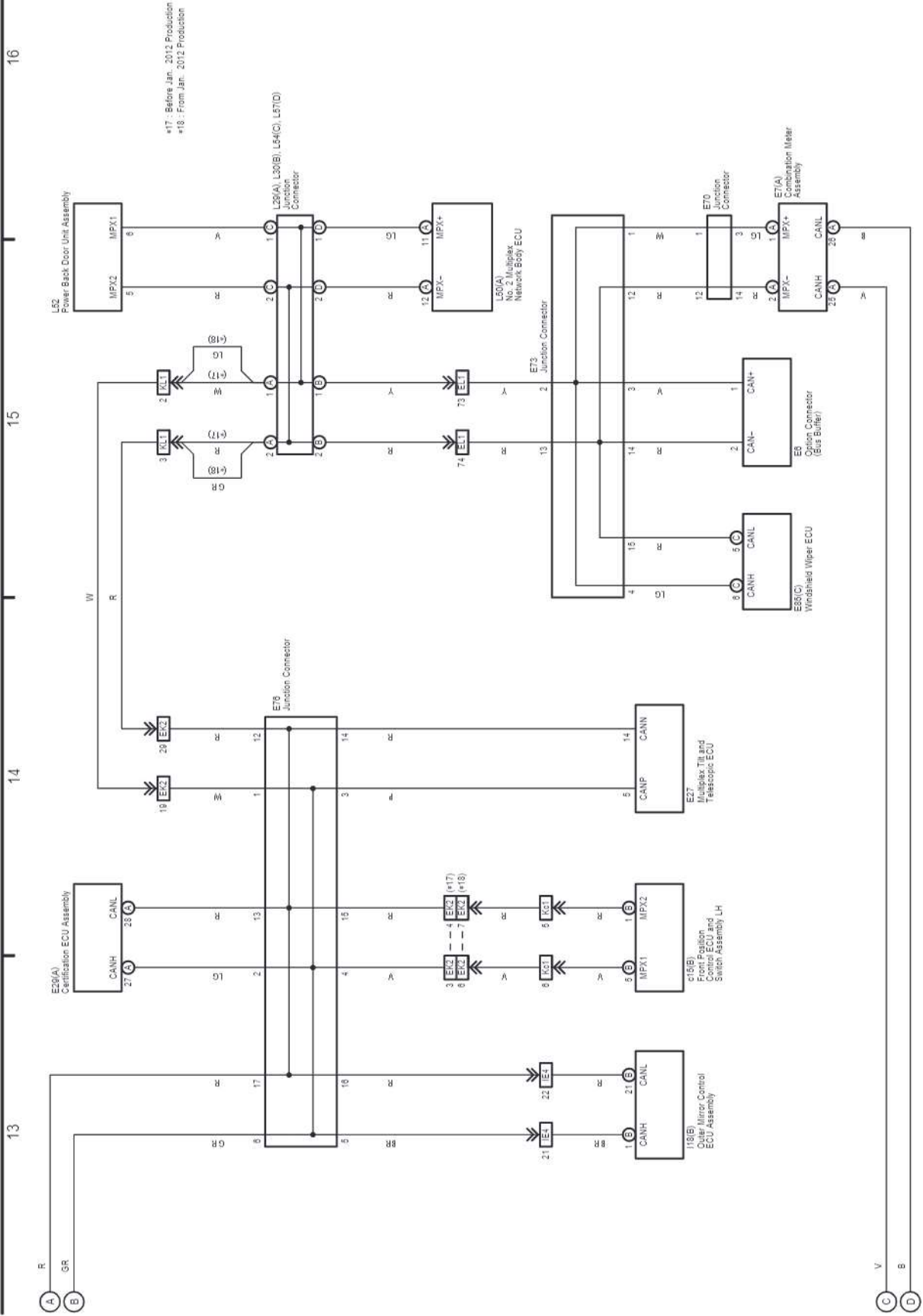
Multiplex Communication System (CAN LHD) (Before Jan. 2013 Production, From Jan. 2013 Production China)





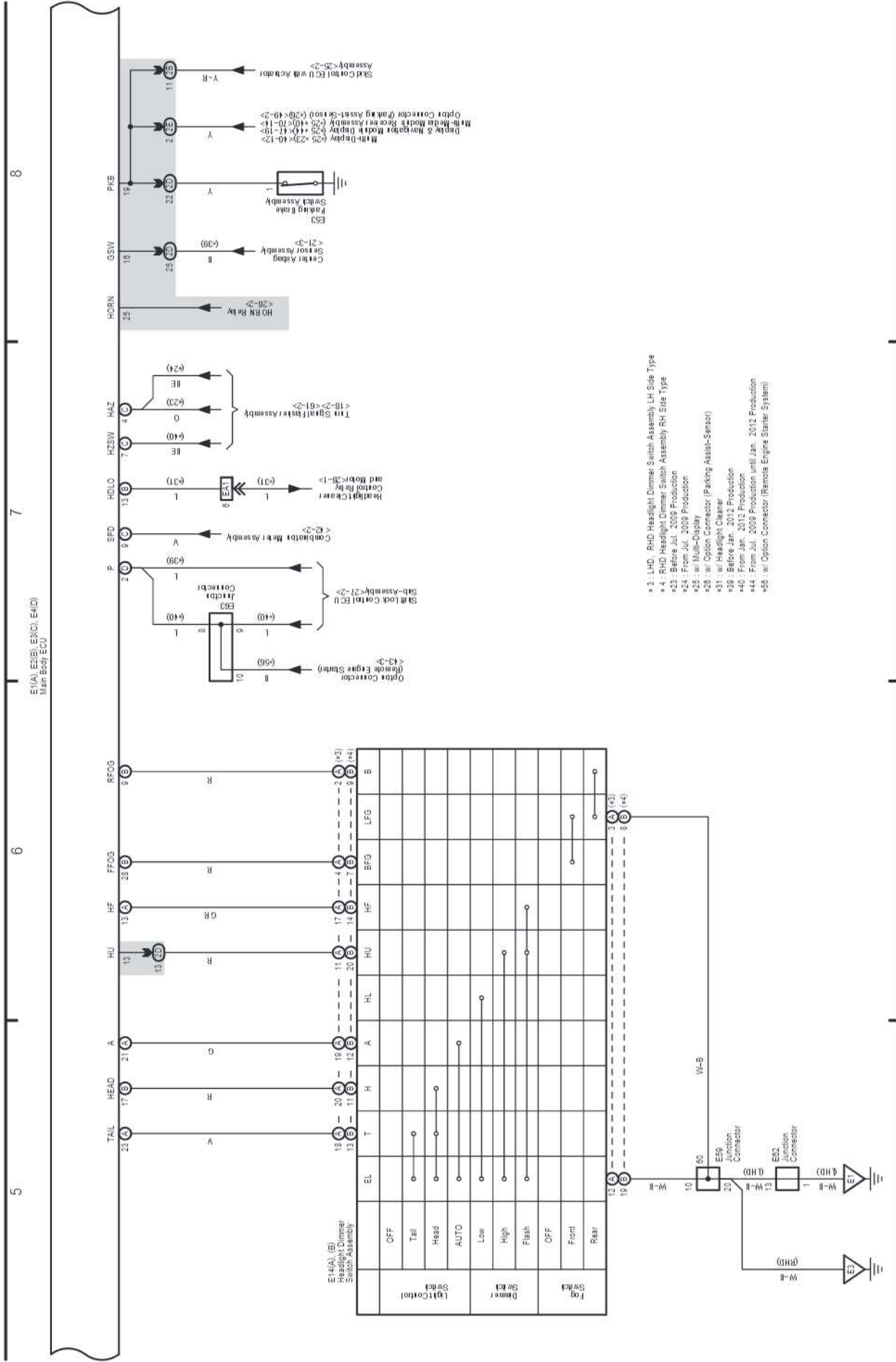
2 LAND CRUISER Station Wagon (Cont' d)

Multiplex Communication System (CAN LHD) (Before Jan. 2013 Production, From Jan. 2013 Production China)





Headlight (Before Jan. 2013 Production, From Jan. 2013 Production China)



LAND CRUISER Station Wagon (EM22W1E)

# M OVERALL ELECTRICAL WIRING DIAGRAM

3 LAND CRUISER Station Wagon (Cont'd)

(Cont. next page)

Light Reminder  
(Before Jan. 2013 Production,  
From Jan. 2013 Production China)

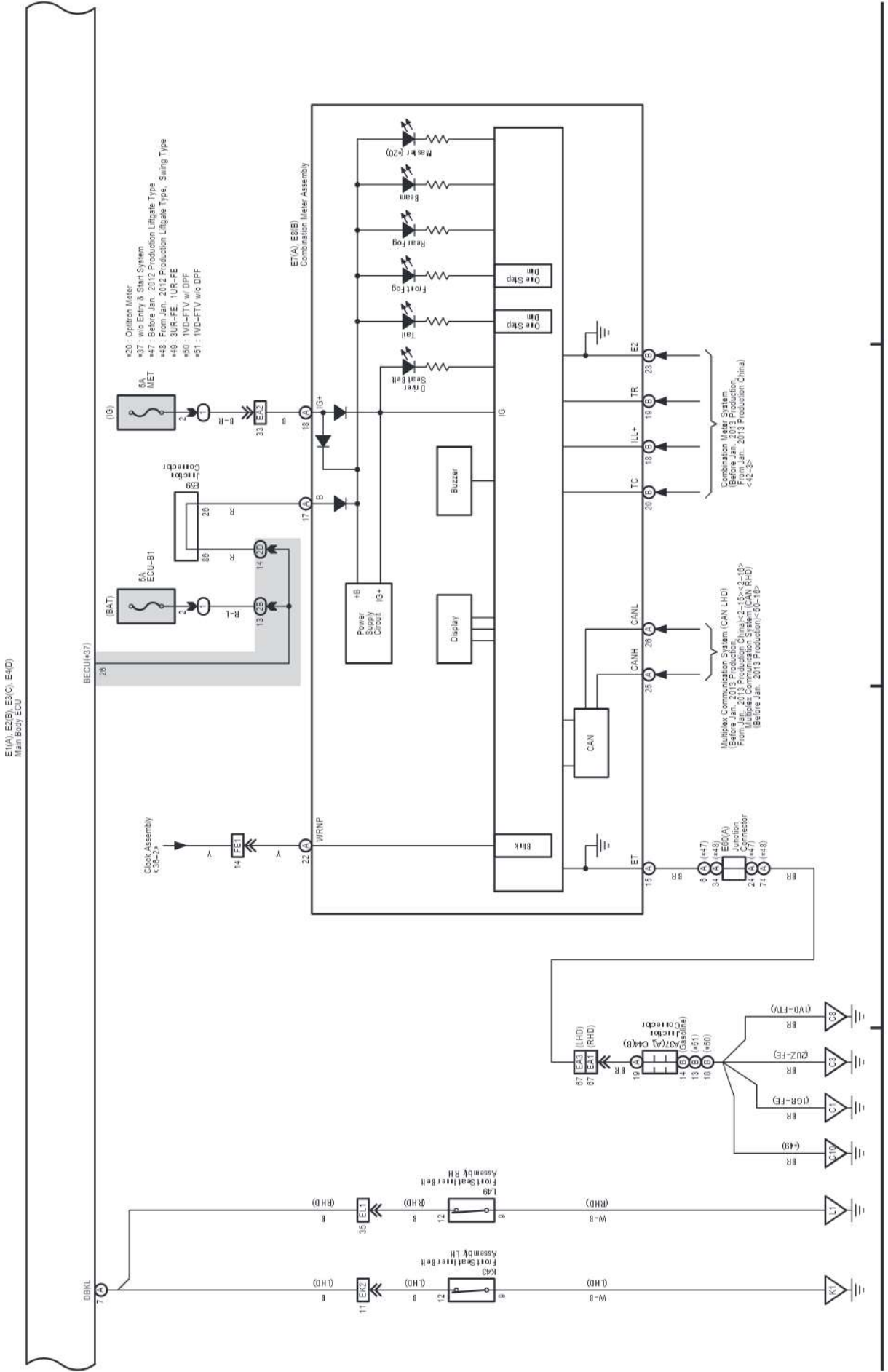
Seat Belt Warning (w/o SRS) (Before Jan. 2013 Production)

12

11

10

9



LAND CRUISER Station Wagon (EM22W1E)

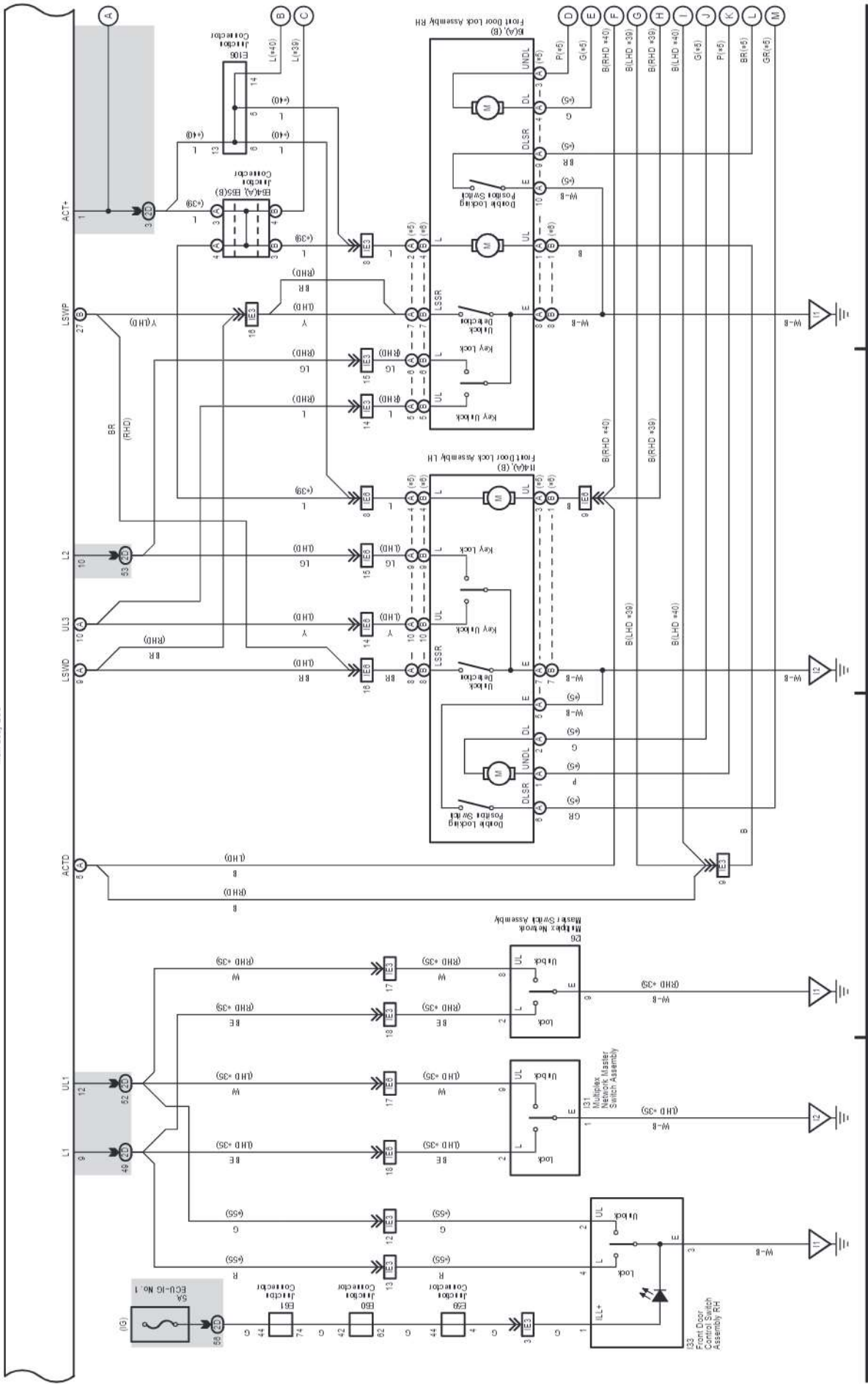


\*35 - Driver's Door Only Jam Protection  
 \*39 - Before Jan. 2013 Production  
 \*40 - From Jan. 2013 Production  
 \*41 - From Jan. 2013 Production  
 \*55 - w/ Front Passenger's Side Door Control Switch

\*5 - w/ Double Locking  
 \*6 - w/ Double Locking

Door Lock Control  
 (Before Jan. 2013 Production,  
 From Jan. 2013 Production China)

E1(A), E2(B), E3(C), E4(D)  
 Main Body ECU



# M OVERALL ELECTRICAL WIRING DIAGRAM

## 3 LAND CRUISER Station Wagon (Cont' d)

(Cont. next page)

\* 5 : w/ Double Locking  
 \* 6 : w/o Double Locking  
 \*30 : Steing Type  
 \*39 : Before Jan. 2012 Production  
 \*40 : From Jan. 2012 Production

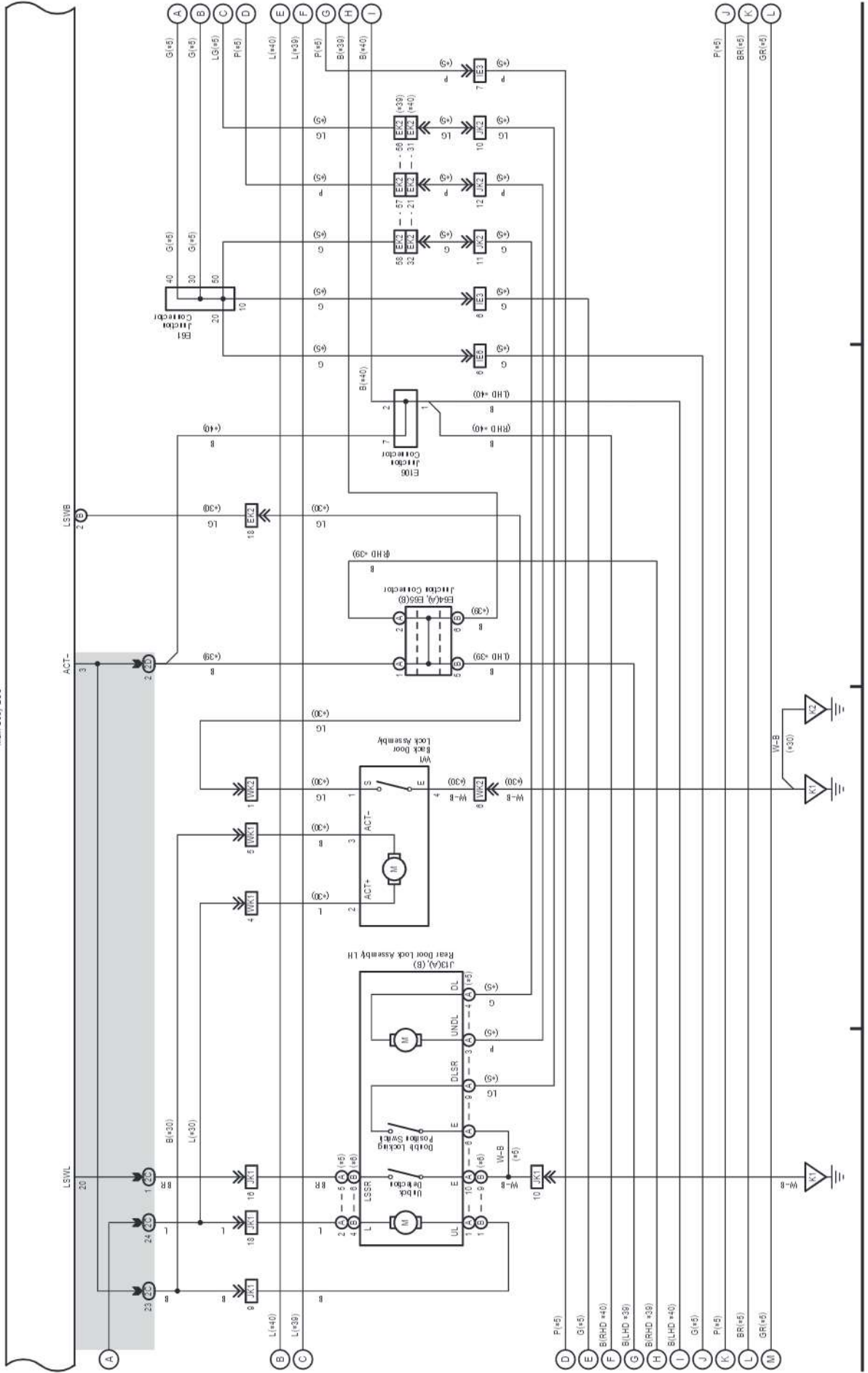
Door Lock Control  
 (Before Jan. 2013 Production, From Jan. 2013 Production China)

17

18

19

20



LAND CRUISER Station Wagon (EM22W1E)

3 LAND CRUISER Station Wagon (Cont' d)

(Cont. next page)

Door Lock Control  
(Before Jan. 2013 Production,  
From Jan. 2013 Production China)

Double Locking  
(Before Jan. 2013 Production)

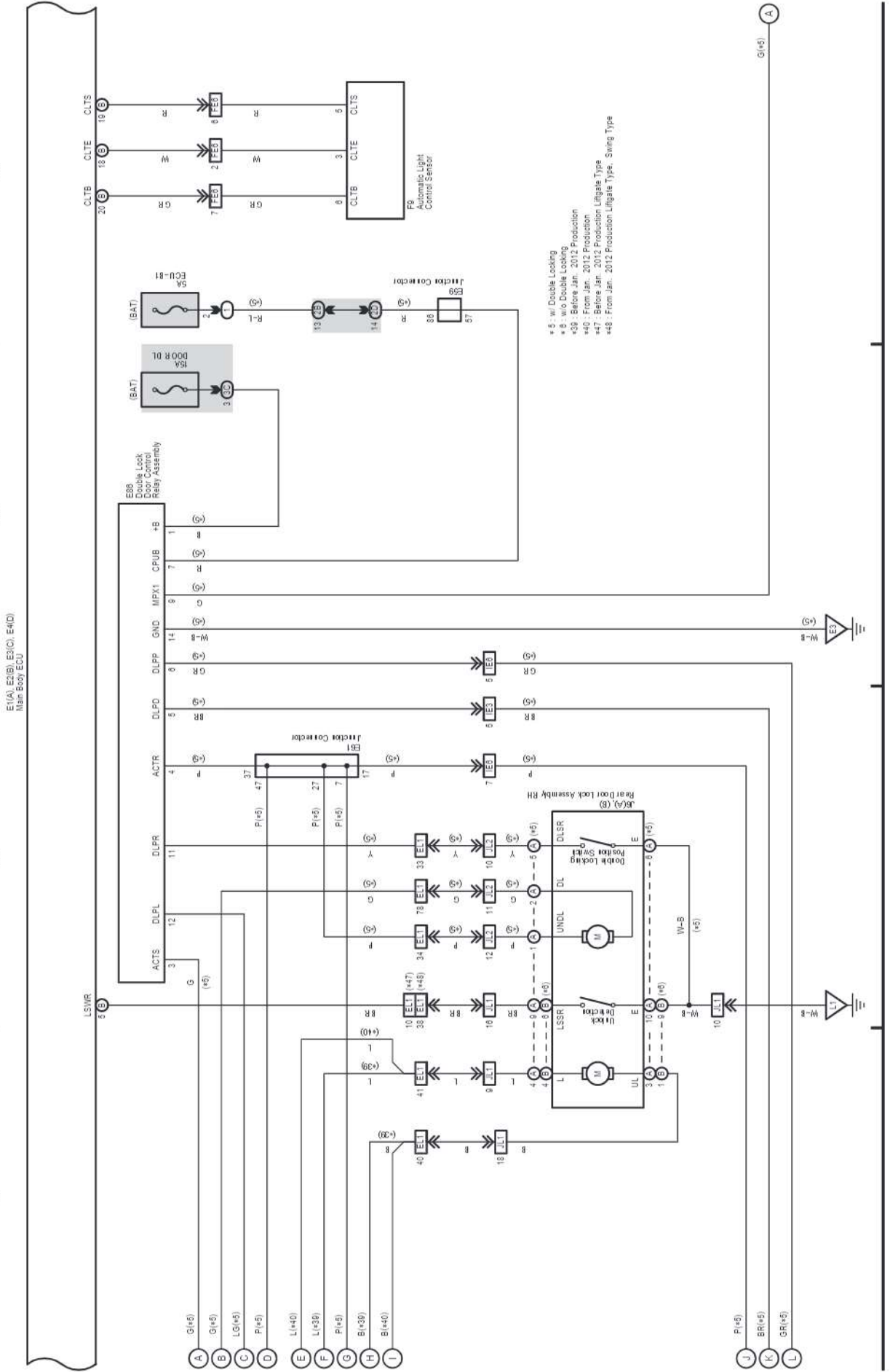
Automatic Light Control and Light Auto  
Turn Off System (Before Jan. 2013  
Production, From Jan. 2013 Production China)

21

22

23

24

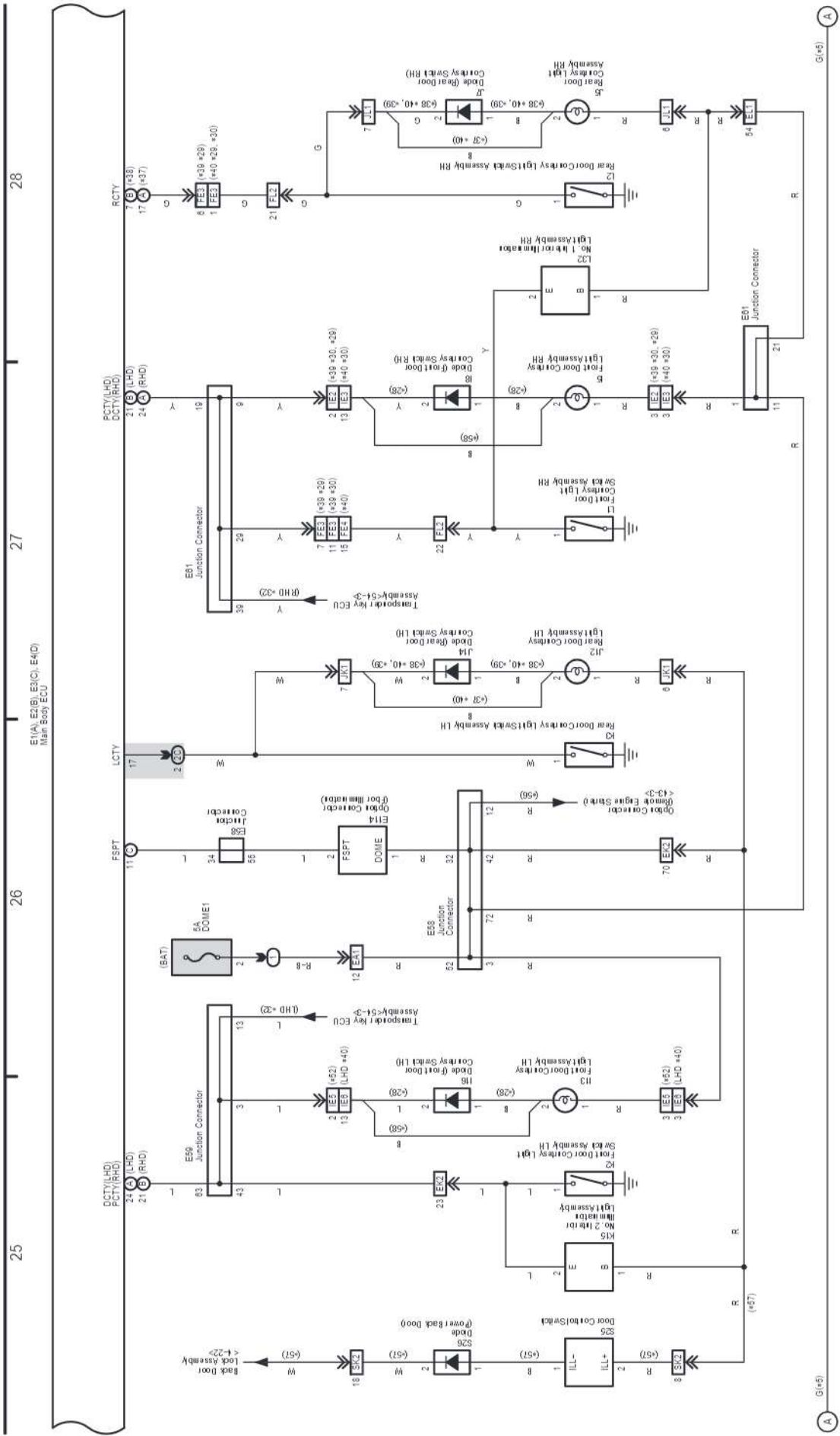


# M OVERALL ELECTRICAL WIRING DIAGRAM

(Cont. next page)

3 LAND CRUISER Station Wagon (Cont' d)

Interior Light (Before Jan. 2013 Production, From Jan. 2013 Production China)



- \*5 : w/ Double Locking
- \*28 : w/ Curtain Shield Airbag
- \*29 : Ligatite Type
- \*30 : Swing Type
- \*32 : w/ Engine Immobilizer System (w/o Entry & Start System)
- \*37 : w/o Entry & Start System
- \*38 : w/ Entry & Start System
- \*39 : Before Jan. 2012 Production
- \*40 : From Jan. 2012 Production
- \*42 : Before Jan. 2012 Production LHD, RHD
- \*45 : w/ Option Connector (Remote Engine Starter System)
- \*47 : w/ Power Back Door
- \*48 : w/o Curtain Shield Airbag



Interior Light (Before Jan. 2013 Production, From Jan. 2013 Production China)

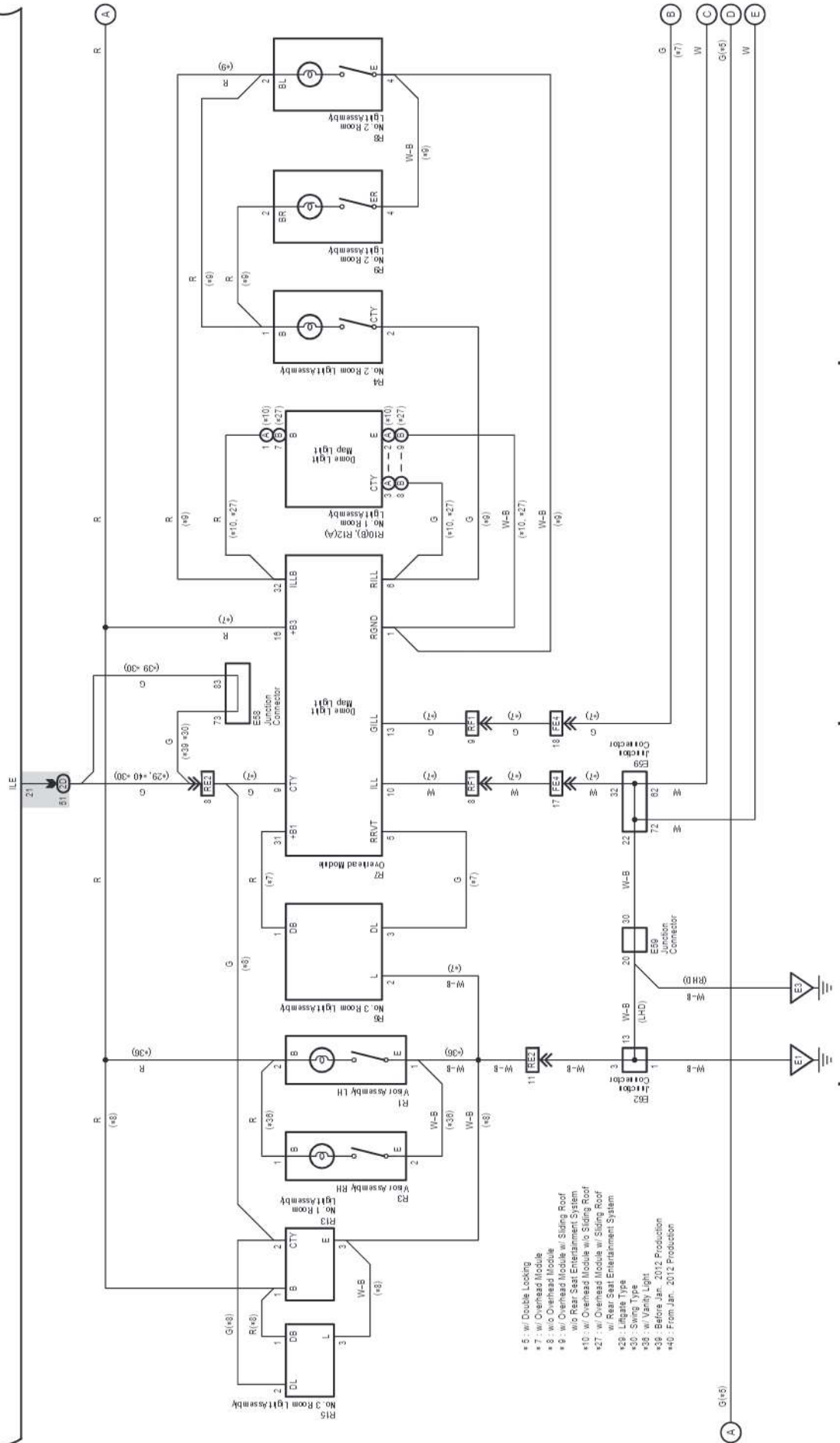
29

30

31

32

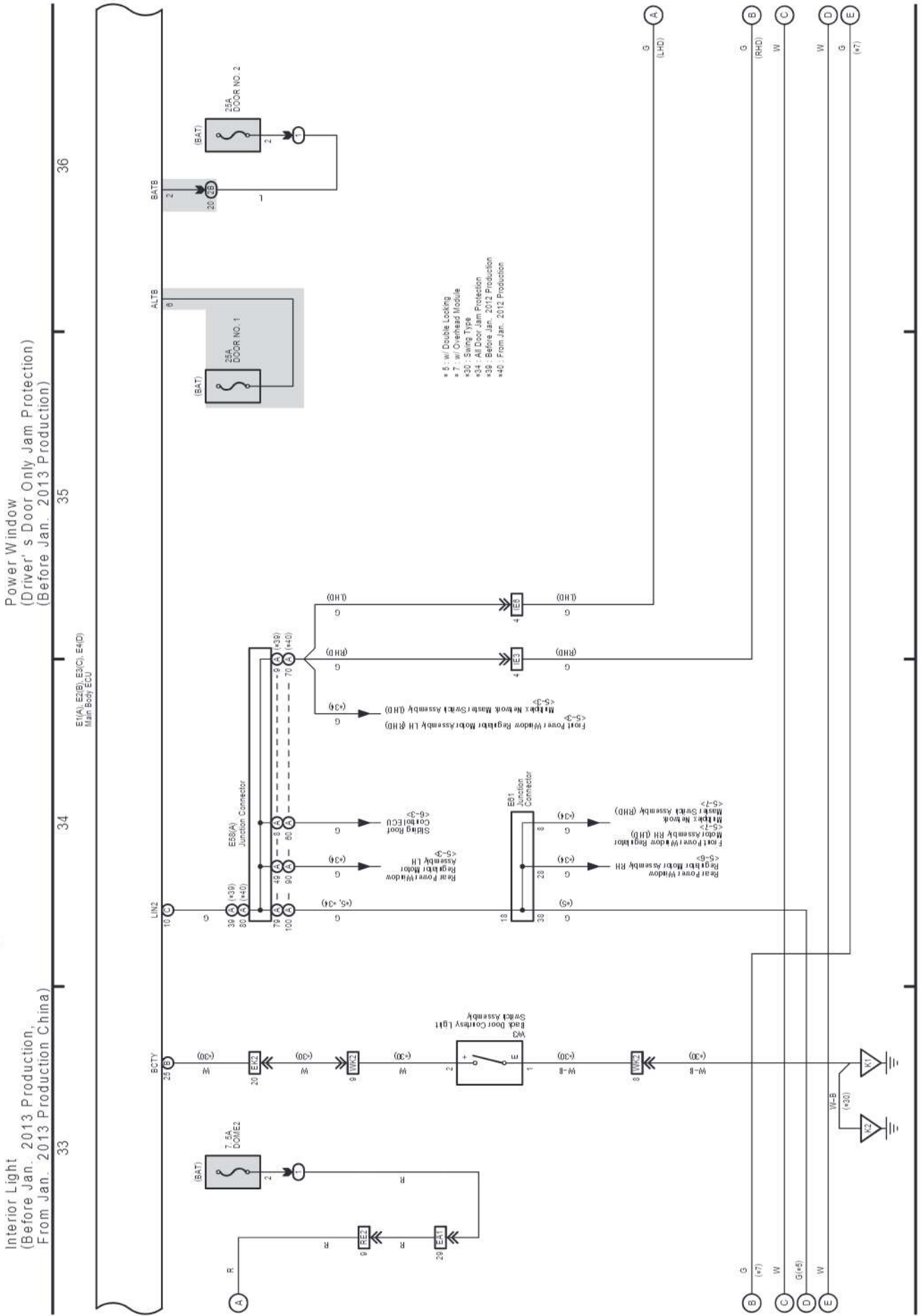
E1(A), E2(B), E3(C), E4(D)  
Main Body ECU



# M OVERALL ELECTRICAL WIRING DIAGRAM

## 3 LAND CRUISER Station Wagon (Cont' d)

(Cont. next page)



LAND CRUISER Station Wagon (EM22W1E)

\*7 - w/ Overhead Module  
 \*29 - Liftgate Type  
 \*30 - Switch Type  
 \*38 - Before Jan. 2012 Production  
 \*40 - From Jan. 2012 Production

Power Window (Driver's Door Only Jam Protection)  
 (Before Jan. 2013 Production)

37

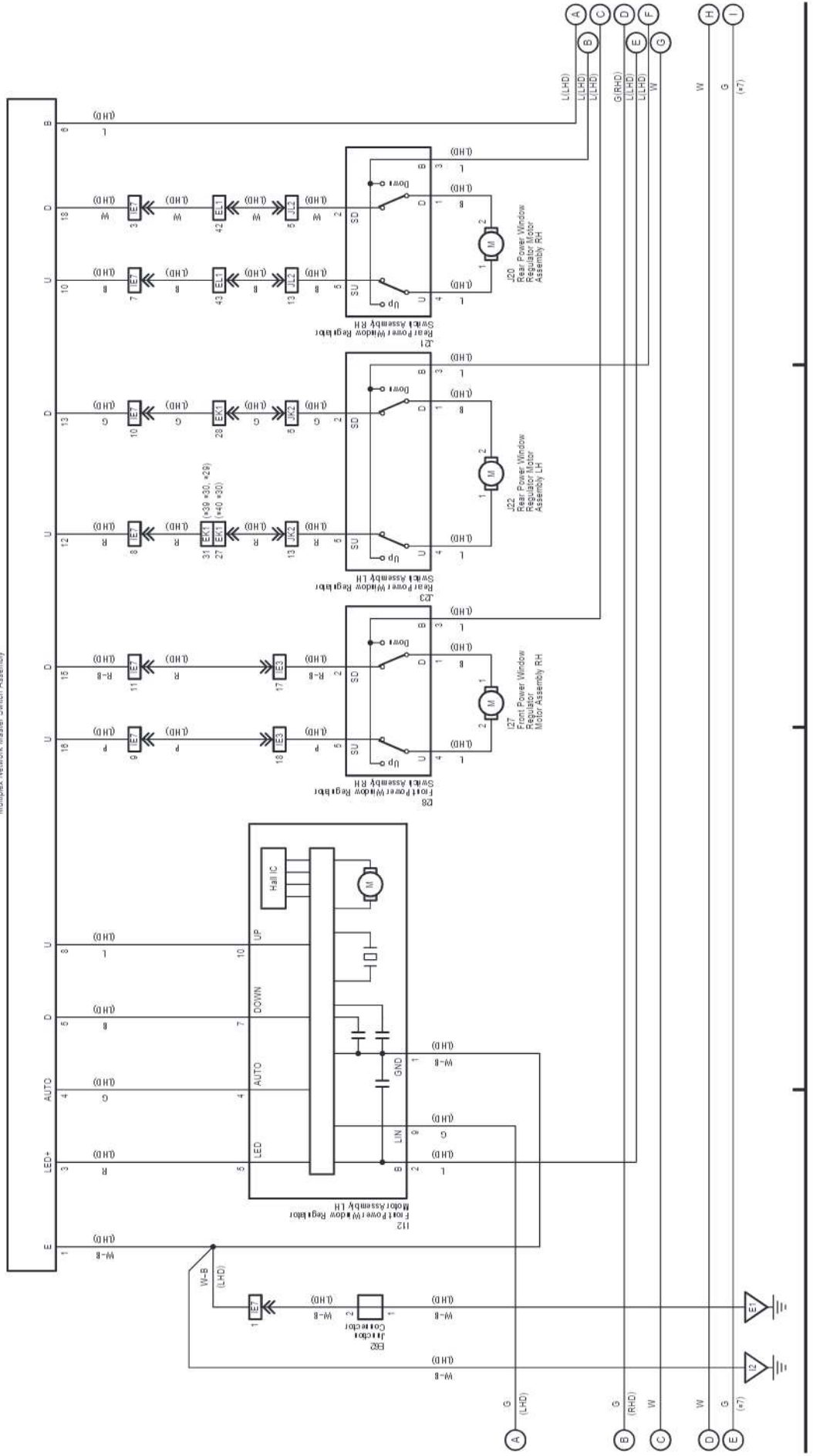
38

39

40

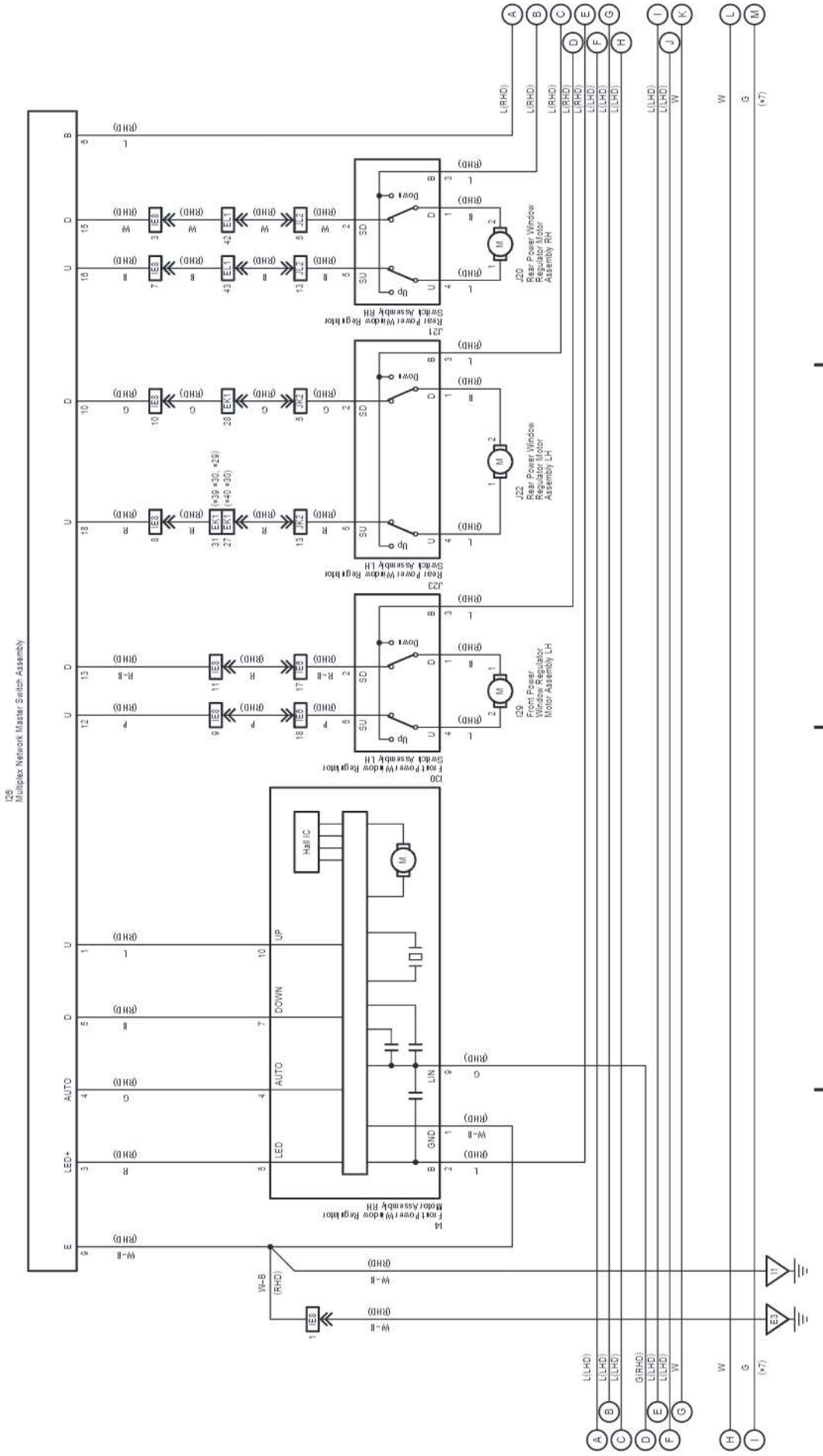
E(VA), E(B), E(C), E(H)  
 Main Body ECU

131 Multiple Network Master Switch Assembly



w7 - w/ Overhead Module  
 \*39 - Liftgate Type  
 \*30 - Swing Type  
 \*38 - Before Jan. 2012 Production  
 \*40 - From Jan. 2012 Production

Power Window (Driver's Door Only Jam Protection)  
 (Before Jan. 2013 Production)





3 LAND CRUISER Station Wagon (Cont' d)

(Cont. next page)

Power Window  
(Driver's Door Only Jam Protection) (Before Jan. 2013 Production)

45

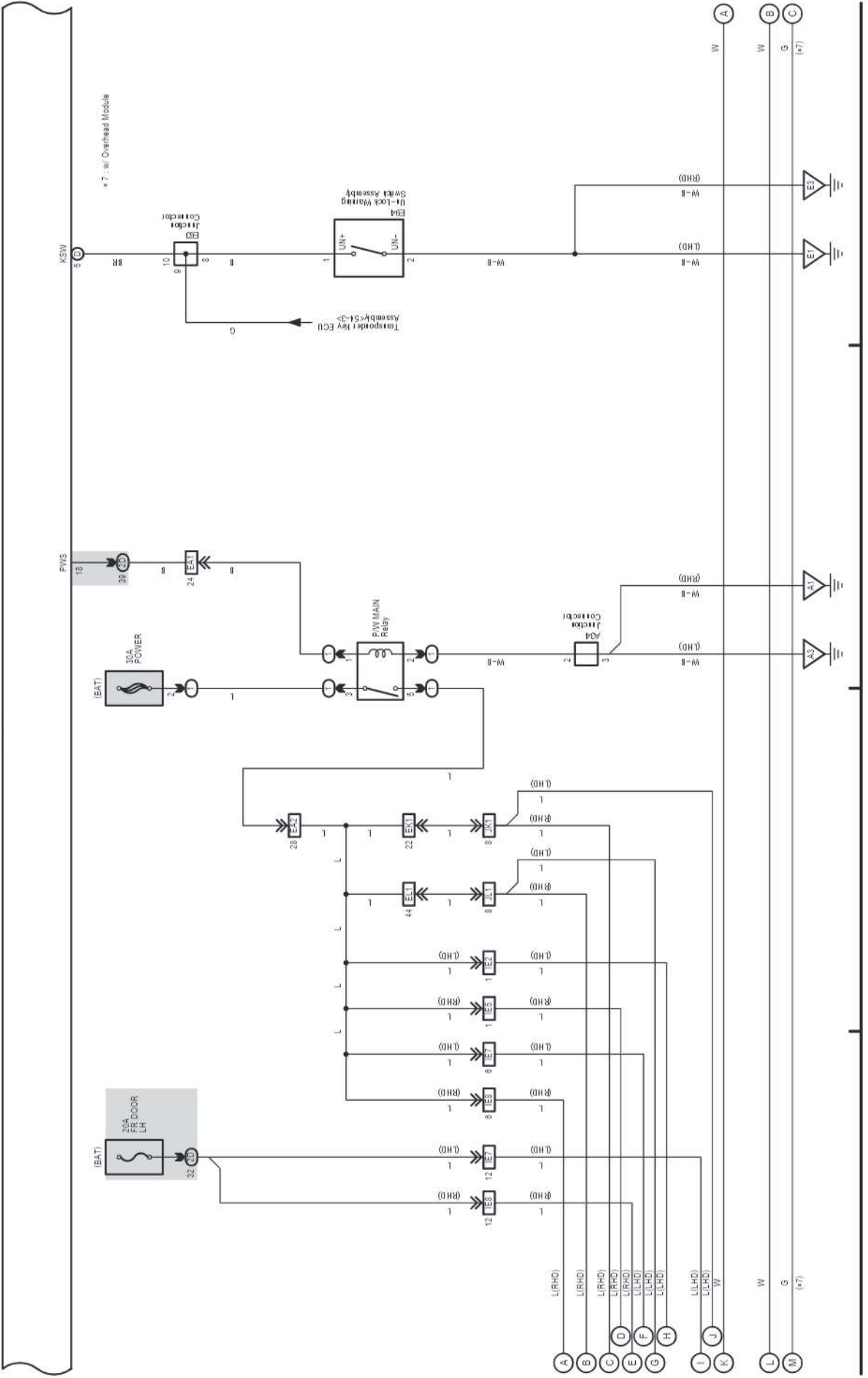
Key Reminder  
(w/o Entry & Start System)  
(Before Jan. 2013 Production)

47

Key Reminder  
(w/o Entry & Start System)  
(Before Jan. 2013 Production)

48

EVAL, E8B, E83C, E84D  
Main Body ECU



# M OVERALL ELECTRICAL WIRING DIAGRAM

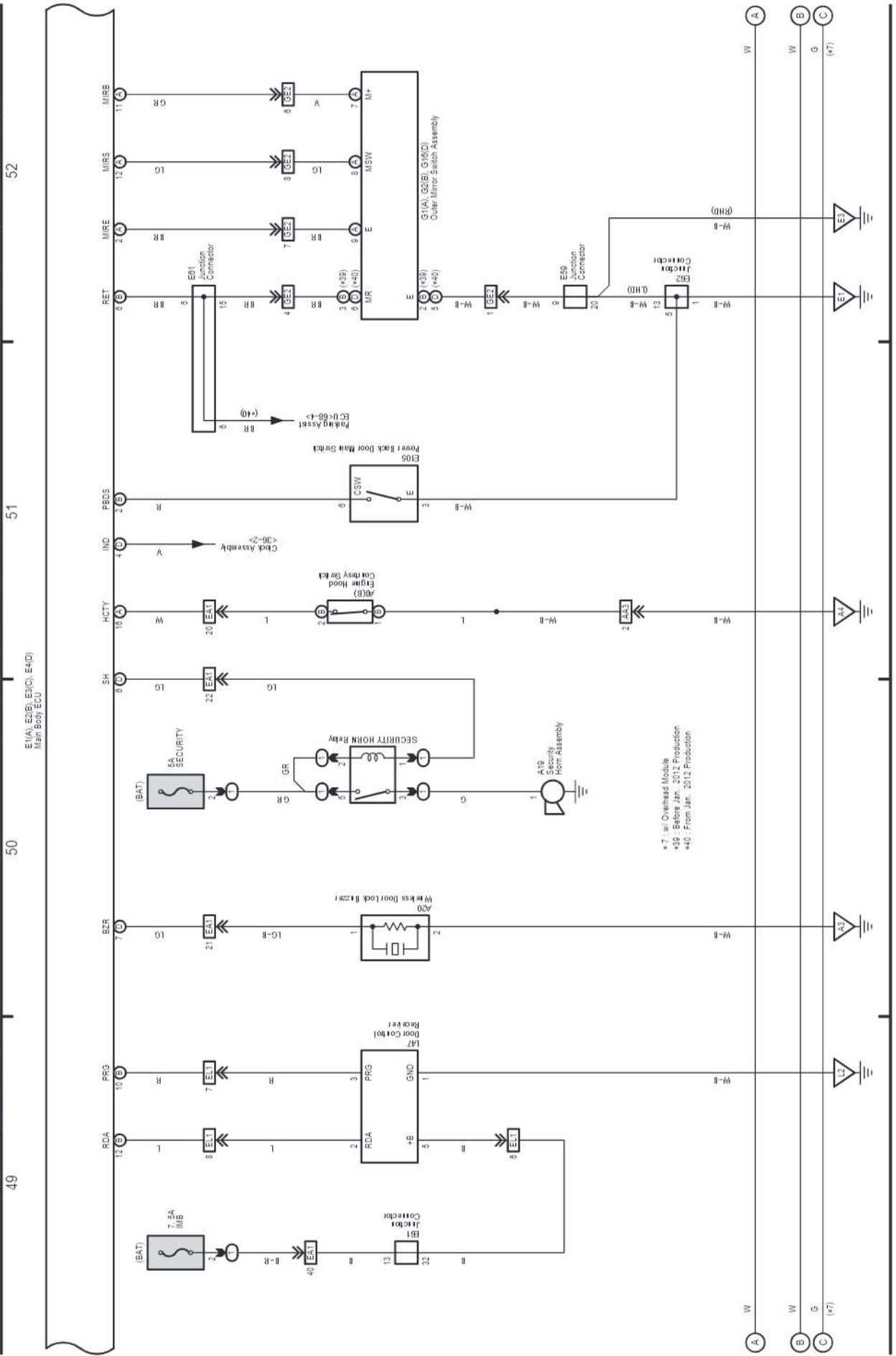
## 3 LAND CRUISER Station Wagon (Cont'd)

(Cont. next page)

Wireless Door Lock Control  
(w/o Entry & Start System)  
(Before Jan. 2013 Production)

Theft Deterrent  
(w/o Entry & Start System)  
(Before Jan. 2013 Production)

Remote Control Mirror (w/ Retractor)  
(Before Jan. 2013 Production)  
(From Jan. 2013 Production China)



LAND CRUISER Station Wagon (EM22W1E)

\*7: w/ Overhead Module  
 \*21: LHD w/ Seat Position Memory  
 \*39: Before Jan. 2013 Production  
 \*40: From Jan. 2013 Production

Remote Control Mirror (w/ Retractor)  
 (Before Jan. 2013 Production, From Jan. 2013 Production China)

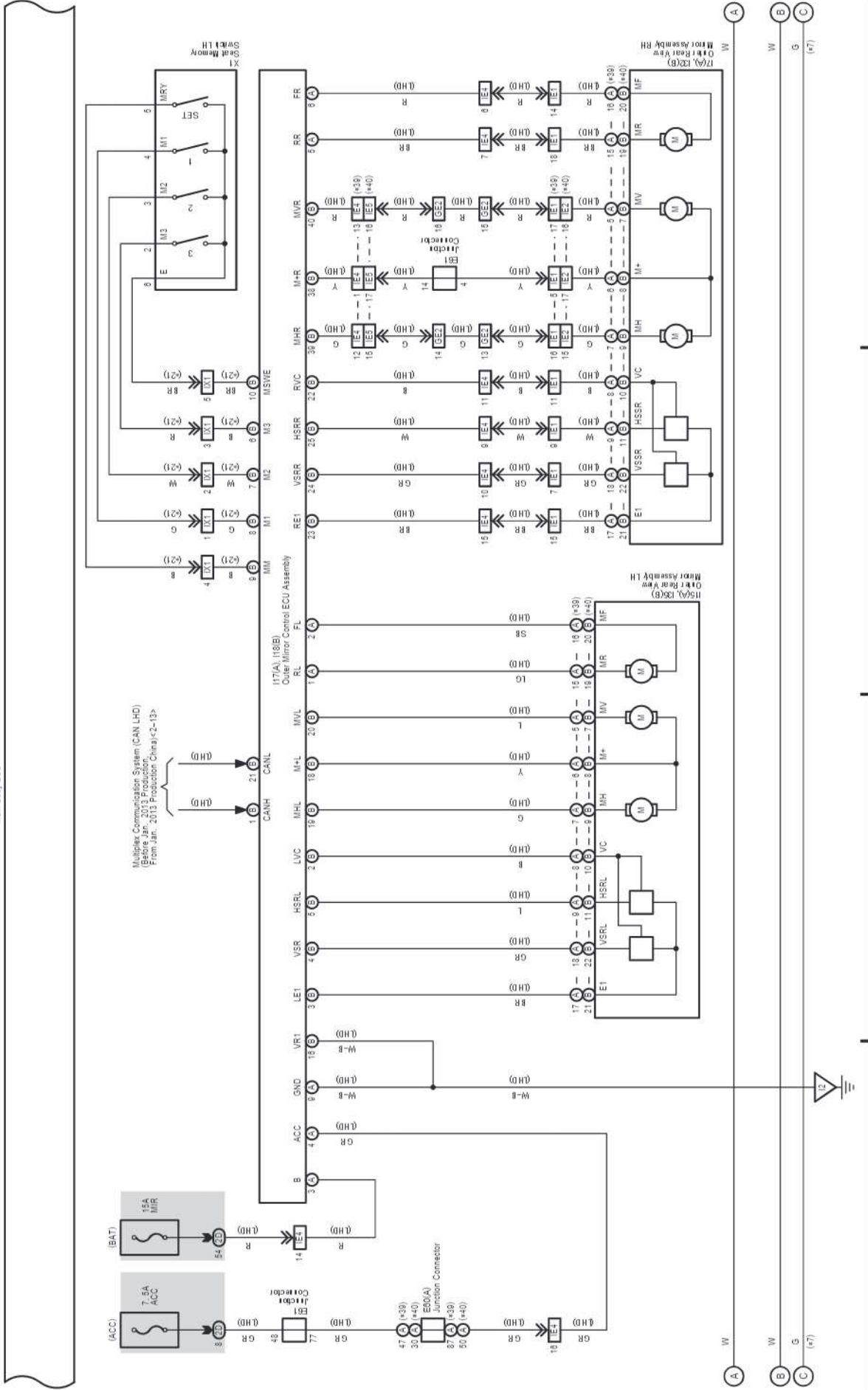
53

54

55

56

E1(A), E2(B), E3(C), E4(D)  
 Main Body ECU



# M OVERALL ELECTRICAL WIRING DIAGRAM

\*7 : w/ Overhead Module  
\*22 : RHD w/ Seat Position Memory  
\*39 : Before Jan. 2012 Production  
\*40 : From Jan. 2012 Production

Remote Control Mirror (w/ Retractor)  
(Before Jan. 2013 Production, From Jan. 2013 Production China)

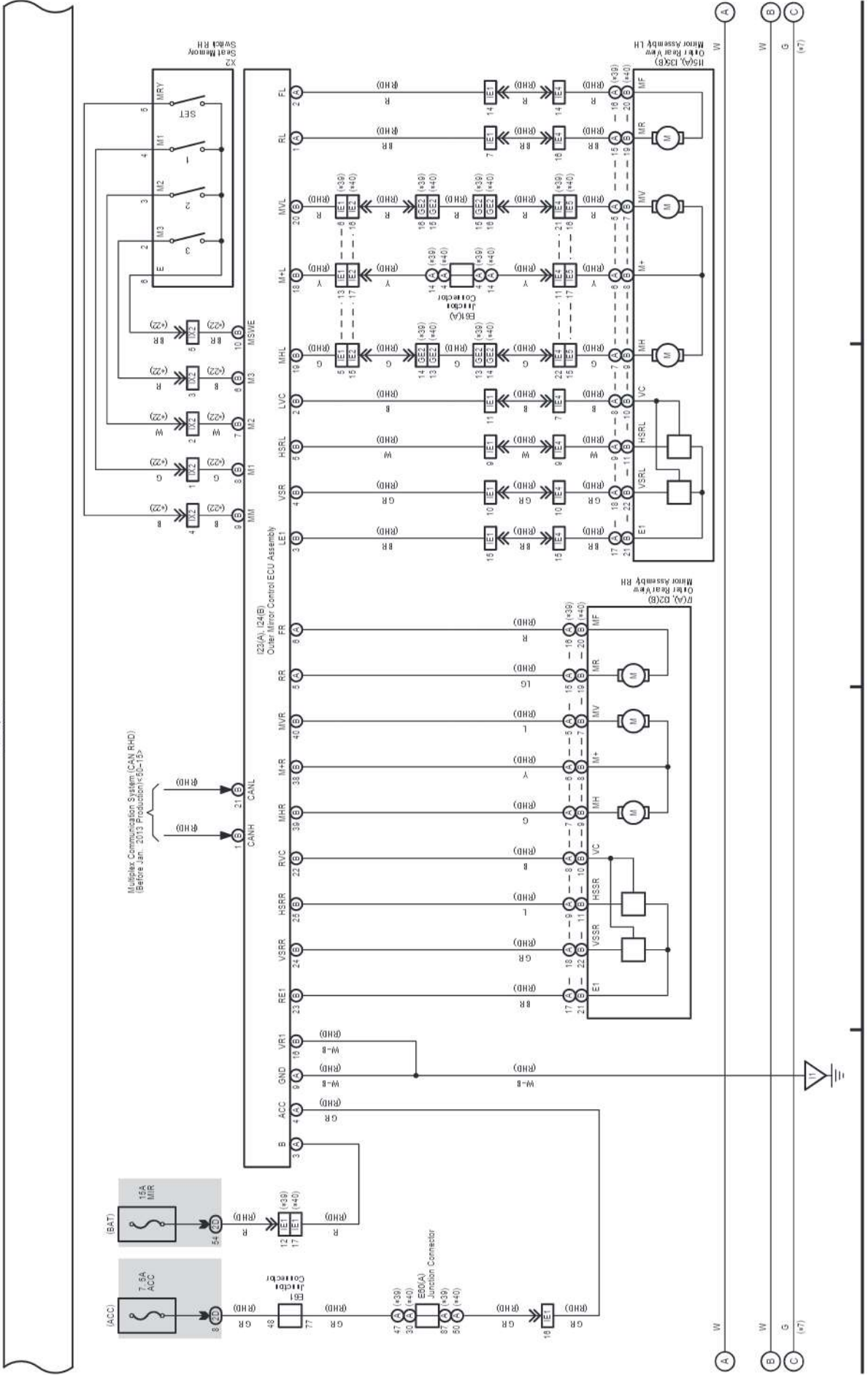
60

59

58

57

E1(A), E2(B), E3(C), E4(D)  
Main Body ECU



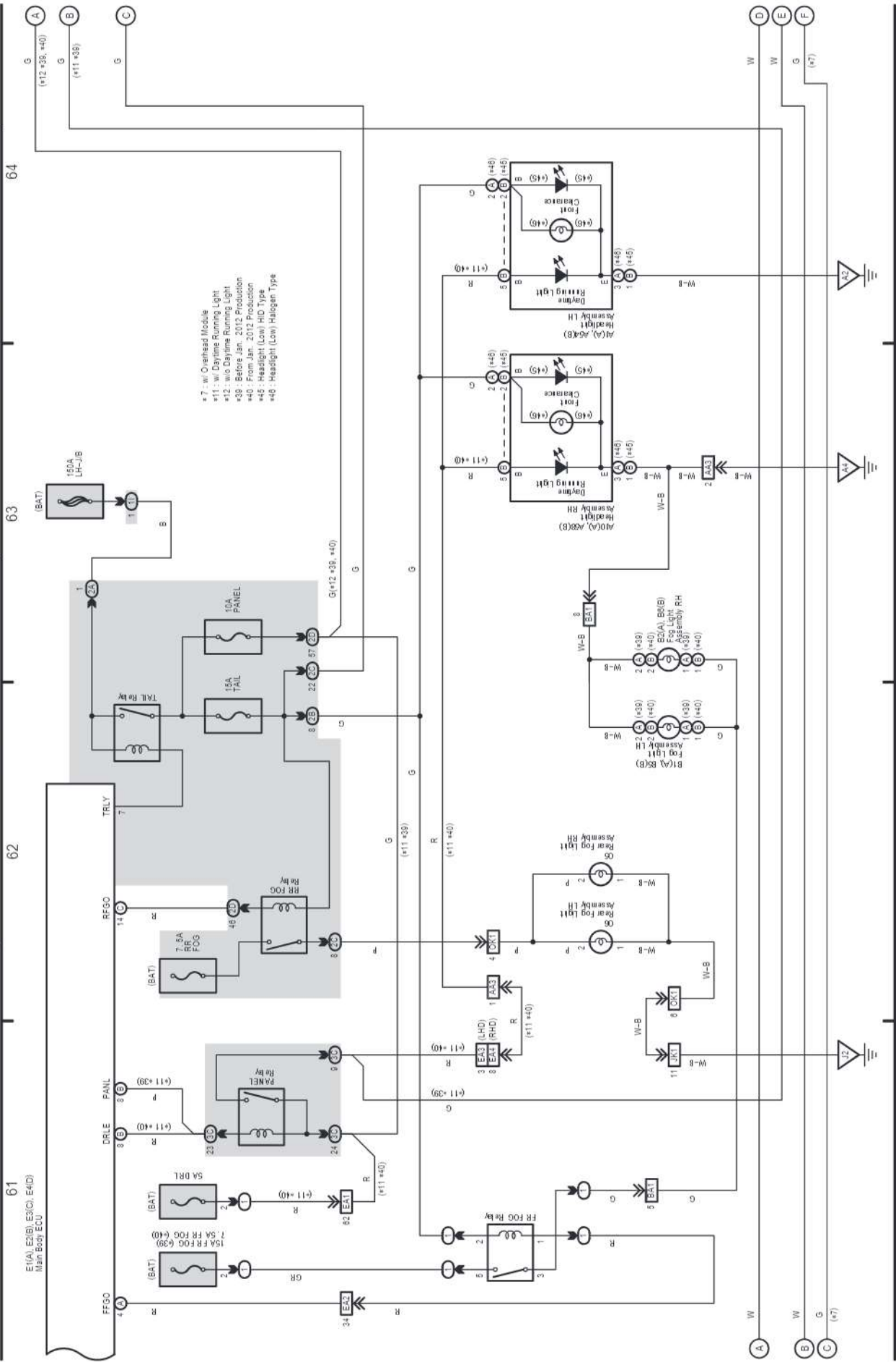
3 LAND CRUISER Station Wagon (Cont' d)

(Cont. next page)

Rear Fog Light  
(Before Jan. 2013 Production,  
From Jan. 2013 Production China)

Front Fog Light (Before  
Jan. 2013 Production, From  
Jan. 2013 Production China)

Tailight  
(Before Jan. 2013 Production,  
From Jan. 2013 Production China)





3 LAND CRUISER Station Wagon (Cont' d)

(Cont. next page)

Taillight

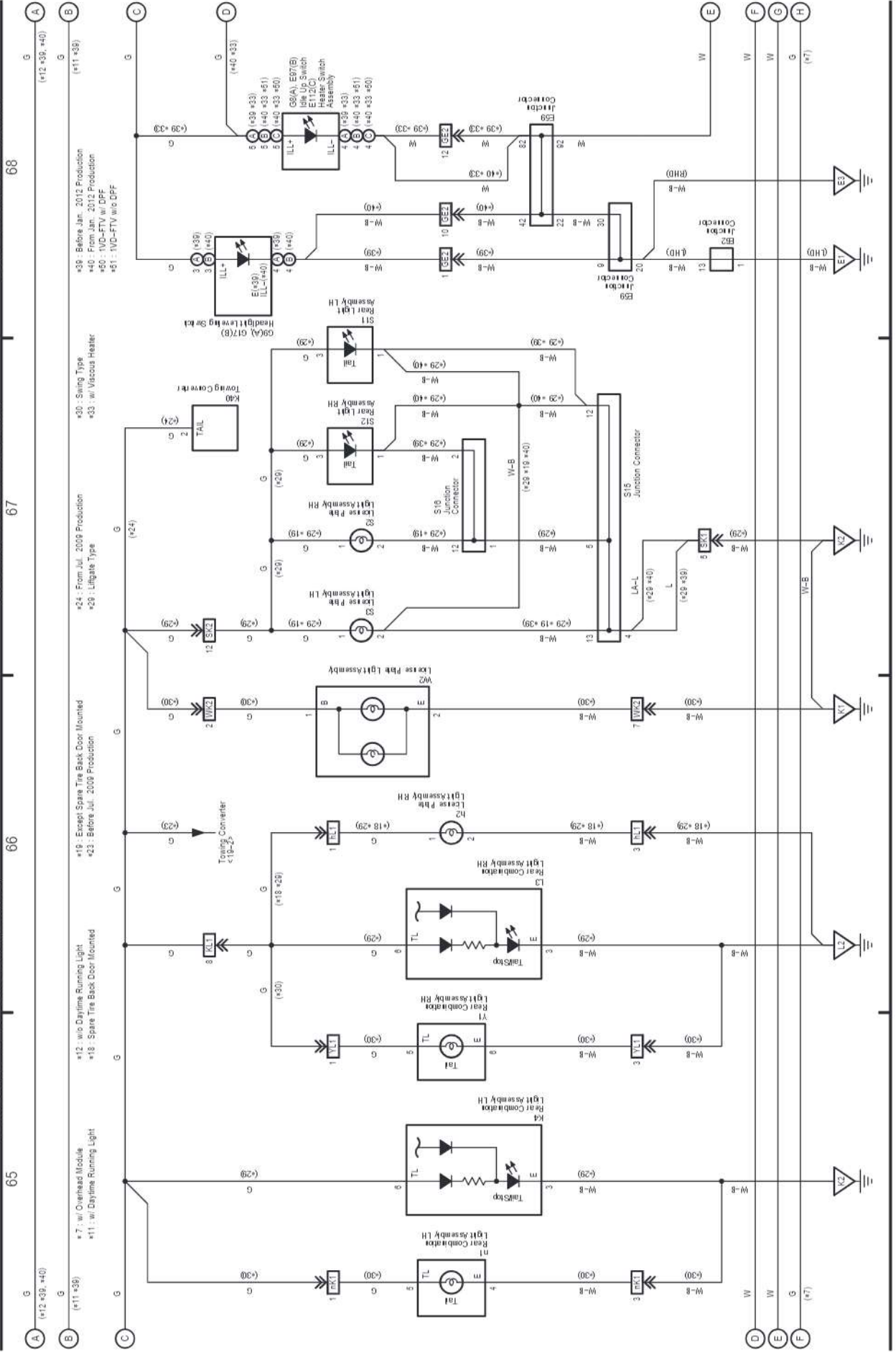
(Before Jan. 2013 Production,  
From Jan. 2013 Production China)

Trailer Towing

(From Jul. 2009 Production  
until Jan. 2013 Production)

Illumination (Before Jan.

2013 Production, From Jan.  
2013 Production China)



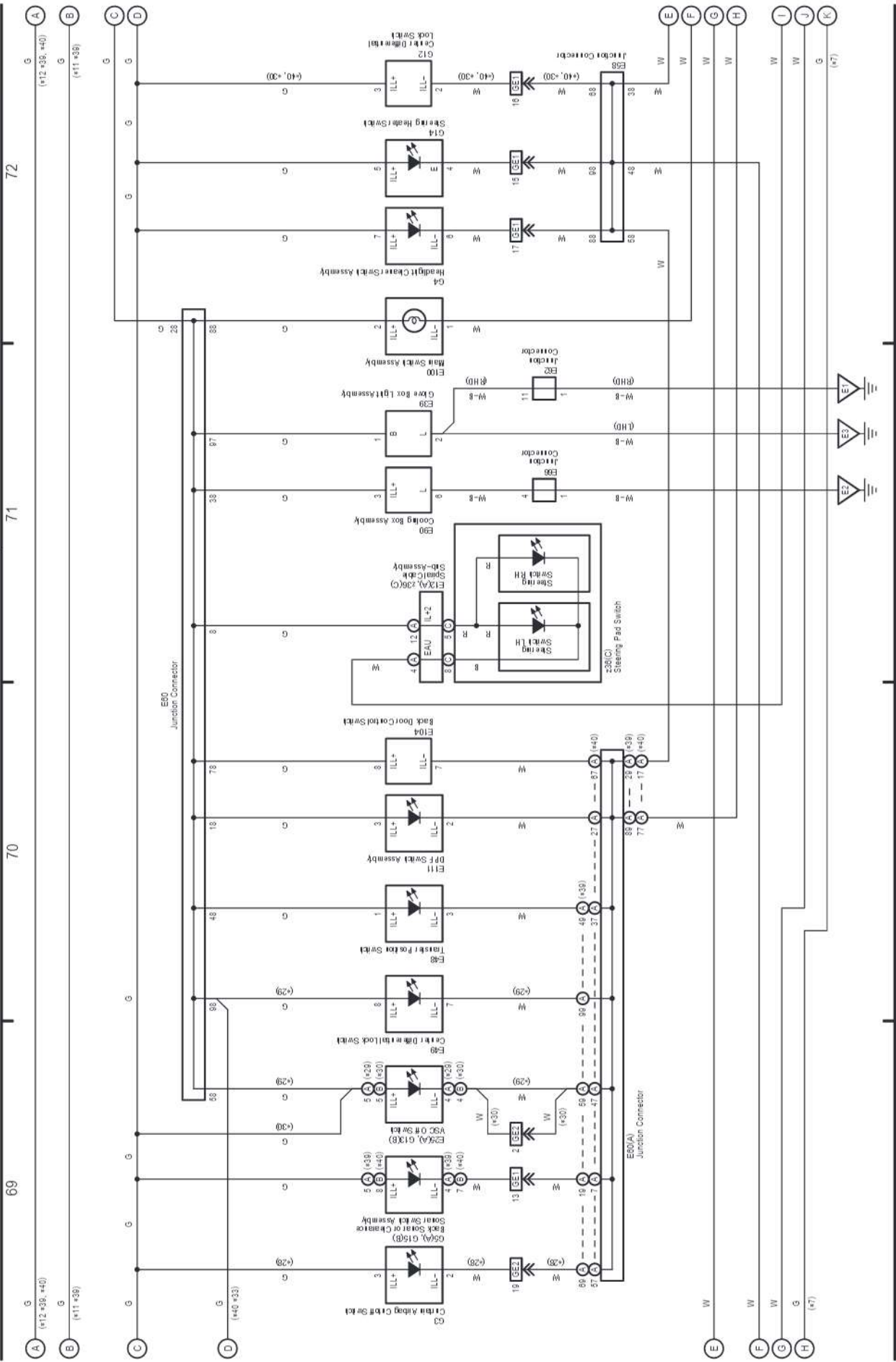
LAND CRUISER Station Wagon (EM22W1E)

3 LAND CRUISER Station Wagon (Cont' d)

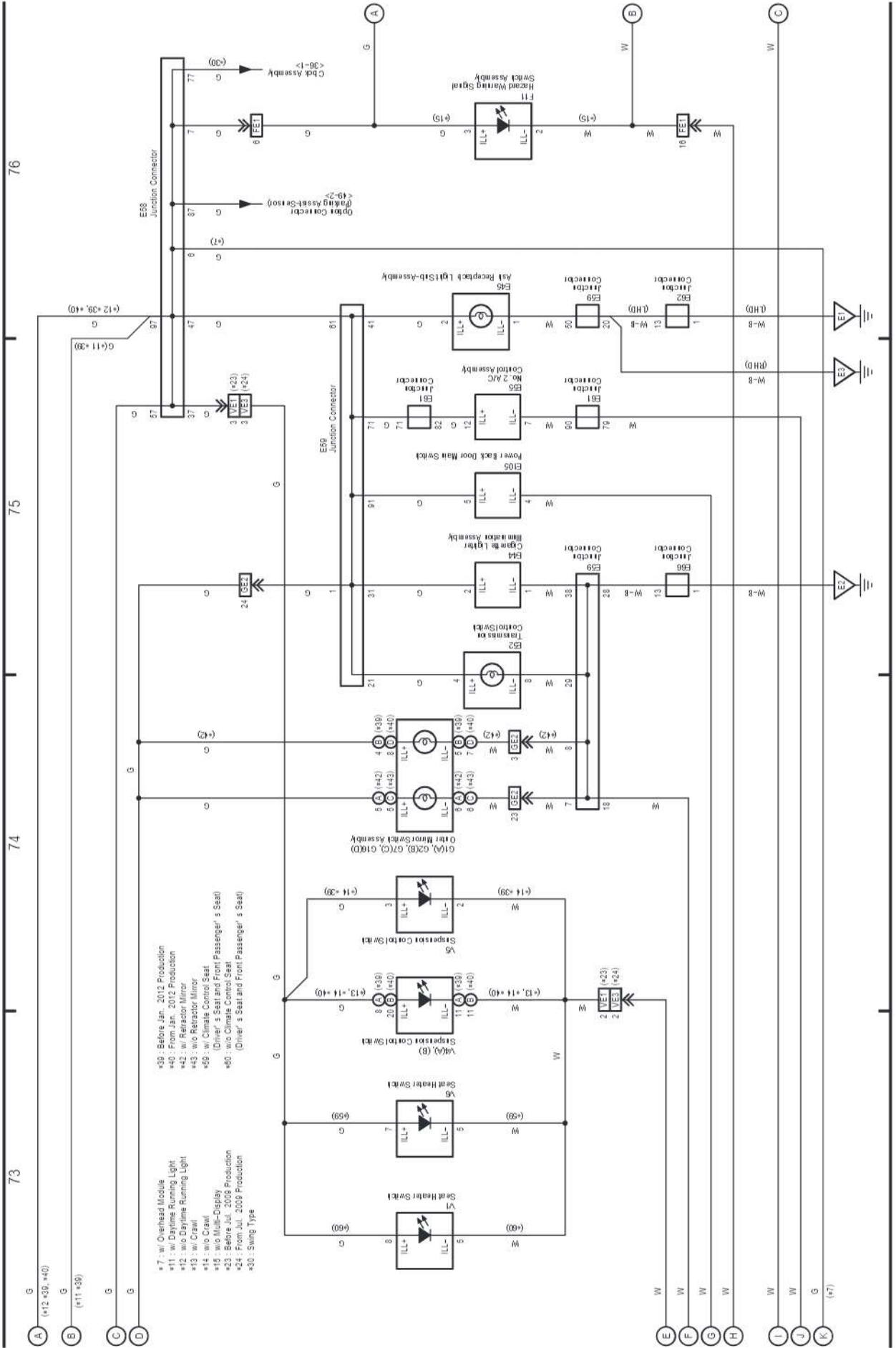
(Cont. next page)

Illumination  
(Before Jan. 2013 Production,  
From Jan. 2013 Production China)

\*7- w/ Overhead Module  
\*11- w/ Daytime Running Light  
\*12- w/ Daytime Running Light  
\*33- w/ Viscous Heater  
\*39- Before Jan. 2013 Production  
\*40- From Jan. 2012 Production



illumination  
(Before Jan. 2013 Production, From Jan. 2013 Production China)



LAND CRUISER Station Wagon (EM22W1E)

3 LAND CRUISER Station Wagon (Cont' d)

Illumination  
(Before Jan. 2013 Production, From Jan. 2013 Production China)

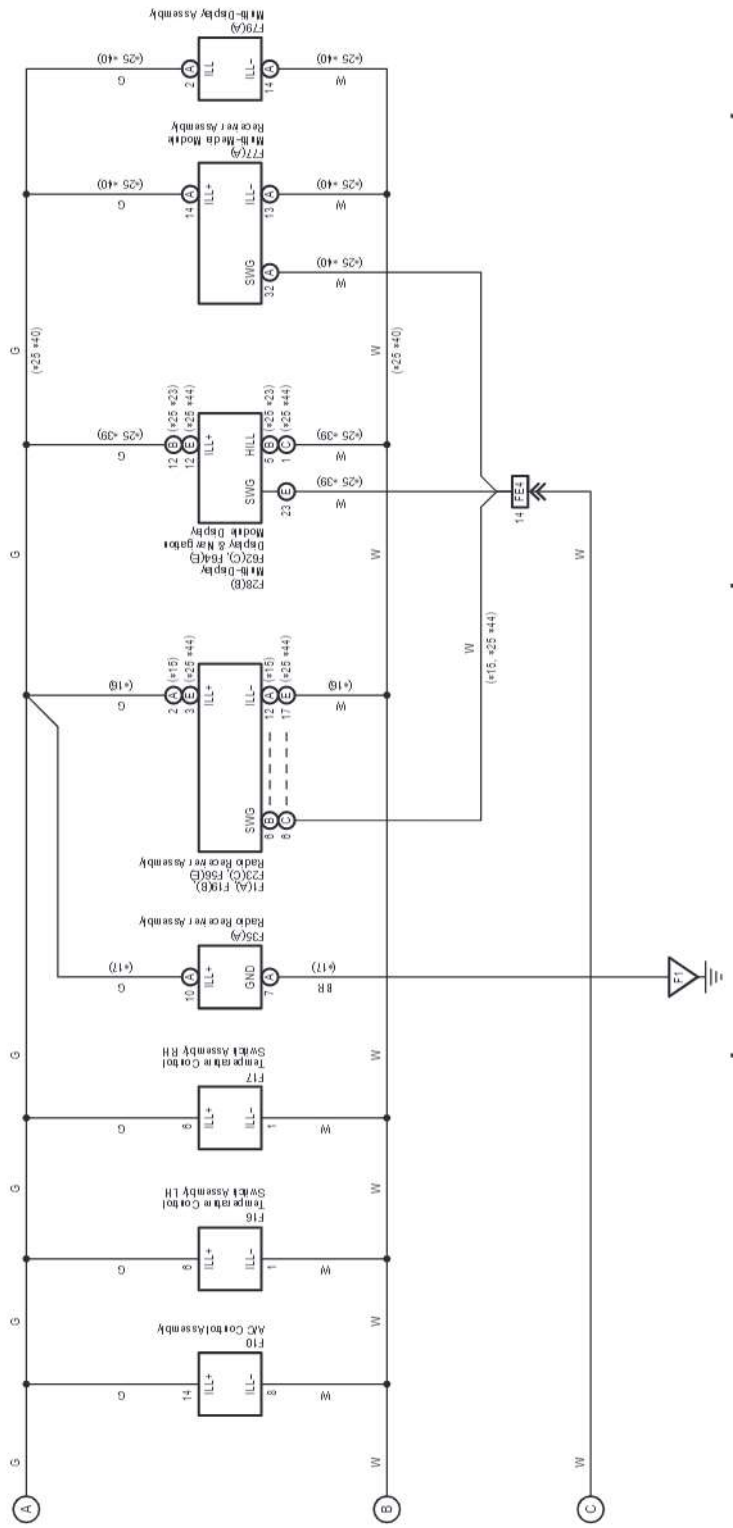
80

79

78

77

- \*15: w/o Multi-Display
- \*16: w/ Stereo Component Amplifier
- \*17: w/o Stereo Component Amplifier
- \*23: Before Jul. 2008 Production
- \*25: w/ Multi-Display
- \*39: Before Jan. 2012 Production
- \*40: From Jan. 2012 Production
- \*44: From Jul. 2008 Production until Jan. 2012 Production

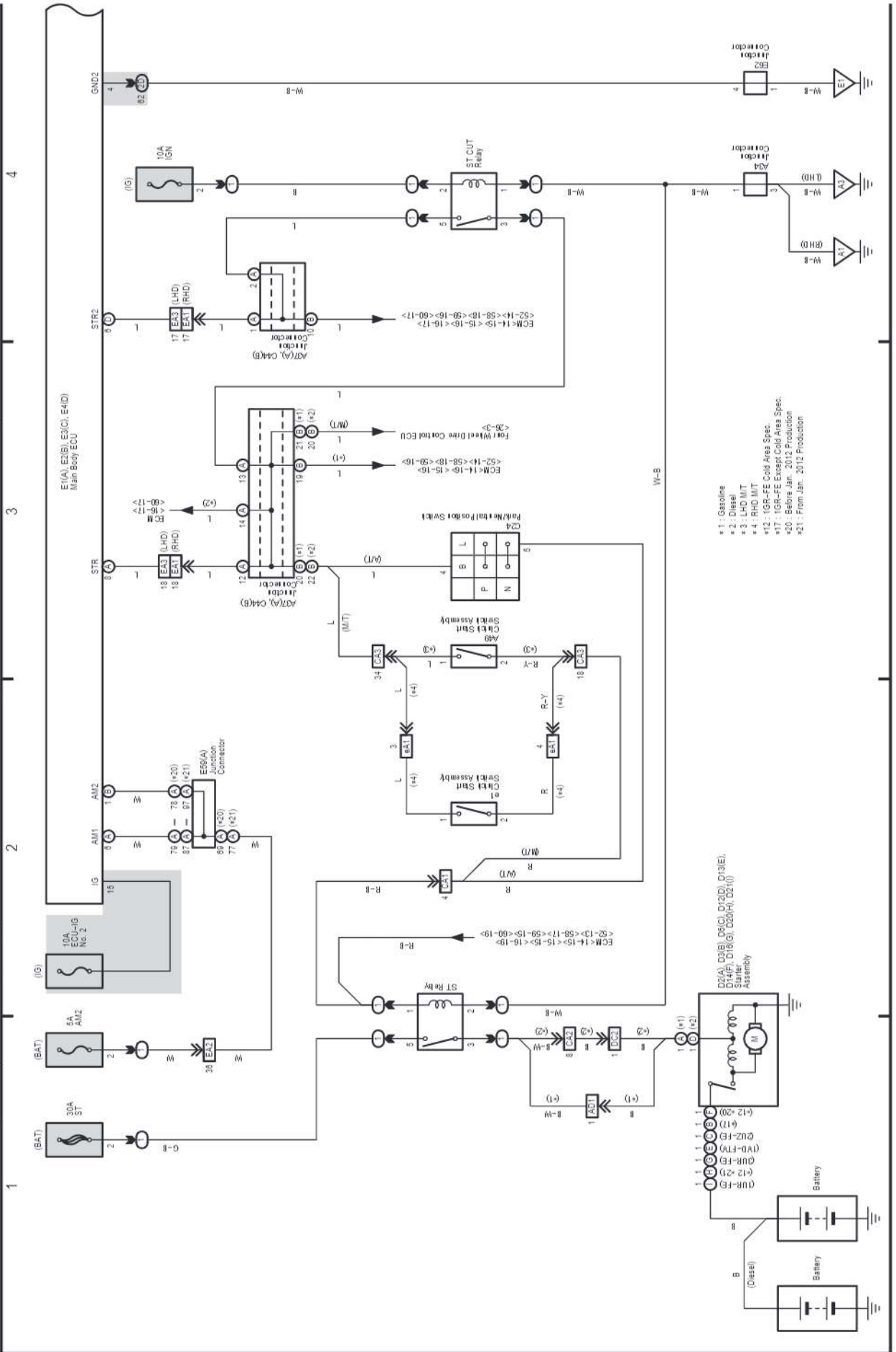


# M OVERALL ELECTRICAL WIRING DIAGRAM

(Cont. next page)

## 4 LAND CRUISER Station Wagon

Engine Immobiliser System (w/ Entry & Start System), Entry & Start System, Starting (w/ Entry & Start System), Steering Lock (w/ Entry & Start System), Theft Deterrent (w/ Entry & Start System) and Wireless Door Lock Control (w/ Entry & Start System) (Before Jan. 2013 Production, From Jan. 2013 Production China)

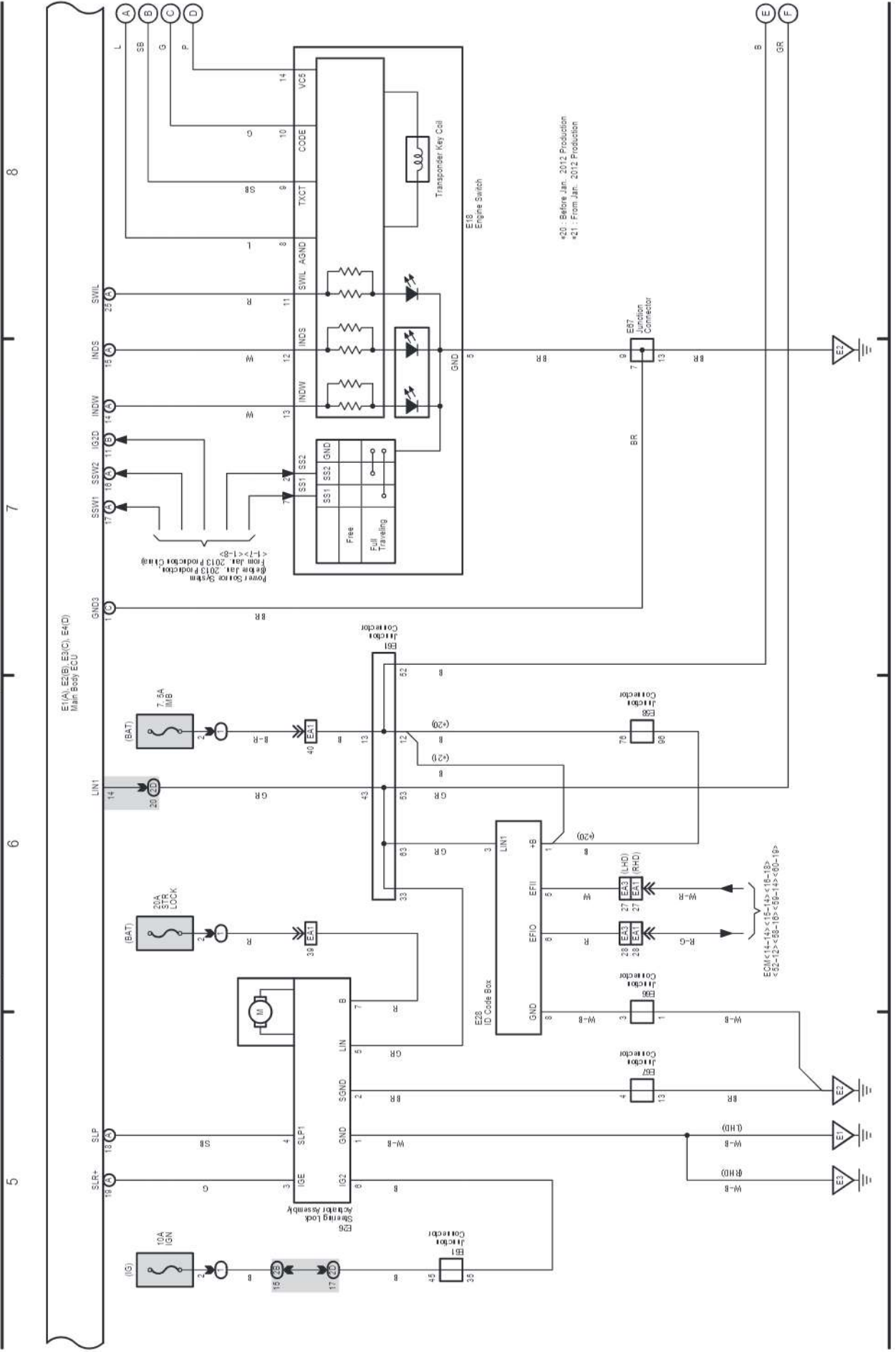




4 LAND CRUISER Station Wagon (Cont' d)

(Cont. next page)

Engine Immobiliser System (w/ Entry & Start System), Entry & Start System, Starting (w/ Entry & Start System), Steering Lock (w/ Entry & Start System), Theft Deterrent (w/ Entry & Start System) and Wireless Door Lock Control (w/ Entry & Start System) (Before Jan. 2013 Production, From Jan. 2013 Production China)



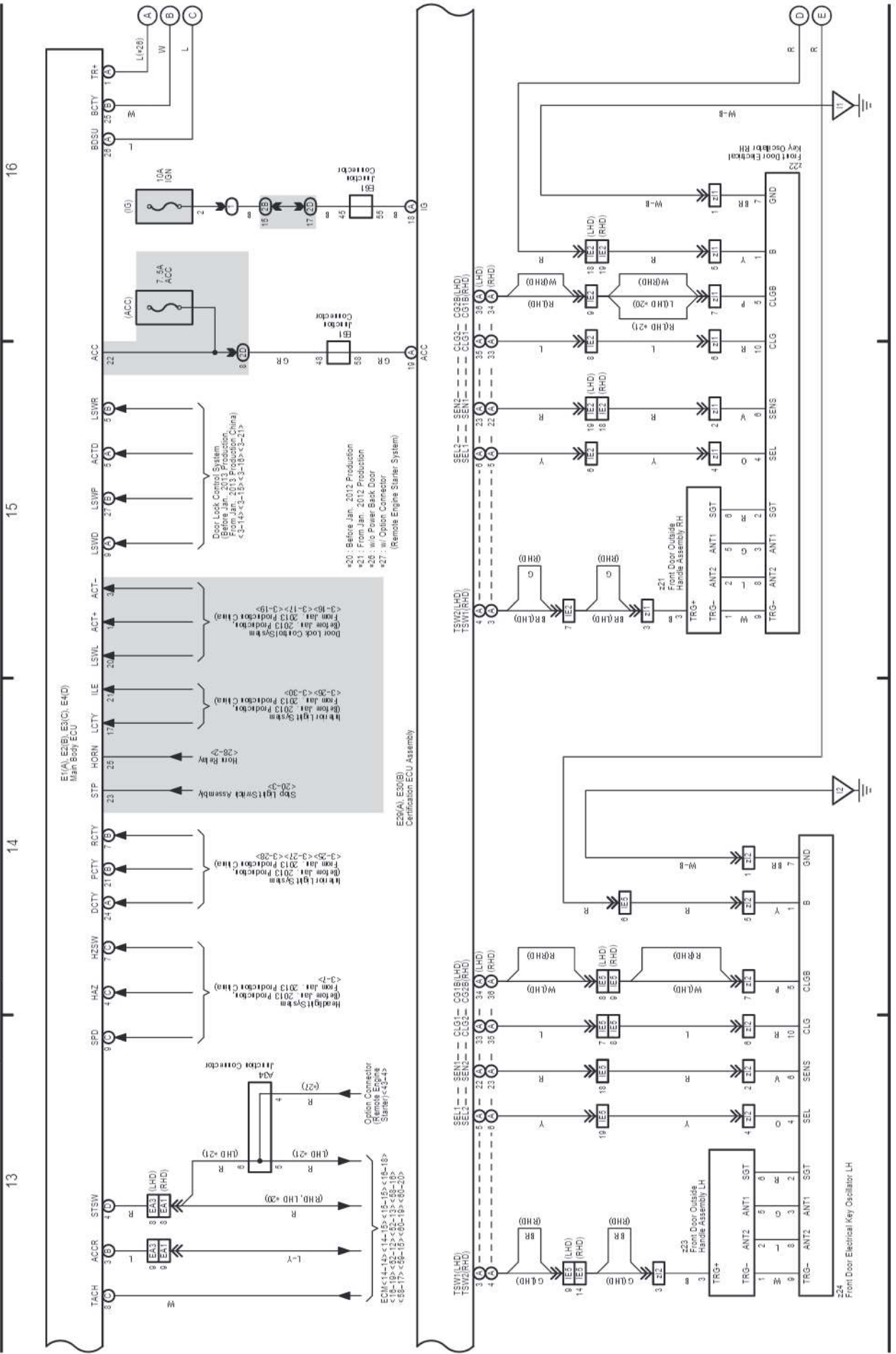
LAND CRUISER Station Wagon (EM22W1E)



4 LAND CRUISER Station Wagon (Cont'd)

(Cont. next page)

Engine Immobiliser System (w/ Entry & Start System), Entry & Start System, Starting (w/ Entry & Start System), Steering Lock (w/ Entry & Start System), Theft Deterrent (w/ Entry & Start System) and Wireless Door Lock Control (w/ Entry & Start System) (Before Jan. 2013 Production, From Jan. 2013 Production China)



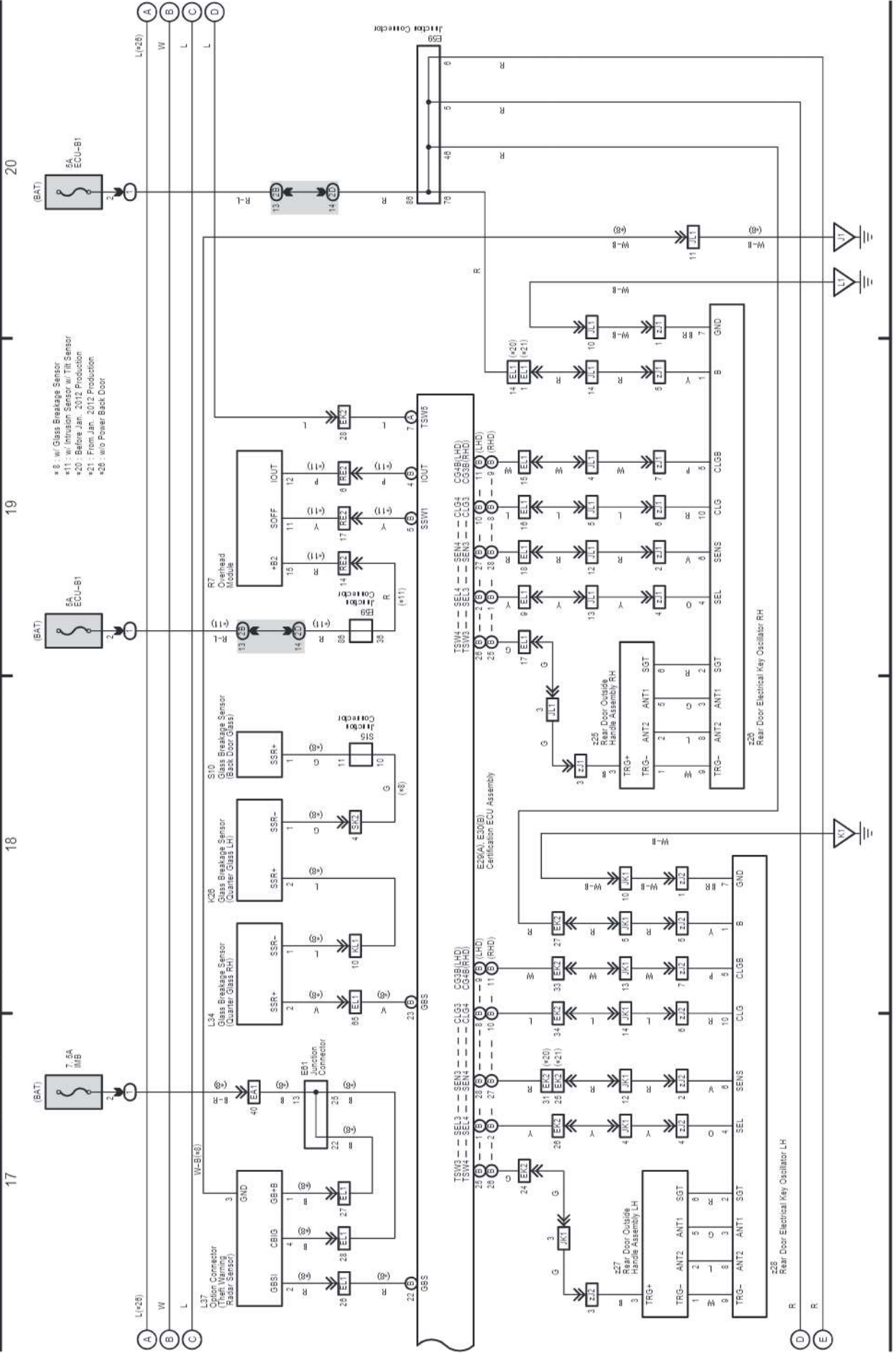
LAND CRUISER Station Wagon (EM22W1E)

# M OVERALL ELECTRICAL WIRING DIAGRAM

## 4 LAND CRUISER Station Wagon (Cont' d)

(Cont. next page)

Engine Immobiliser System (w/ Entry & Start System), Entry & Start System, Starting (w/ Entry & Start System), Steering Lock (w/ Entry & Start System), Theft Deterrent (w/ Entry & Start System) and Wireless Door Lock Control (w/ Entry & Start System) (Before Jan. 2013 Production, From Jan. 2013 Production, From Jan. 2013 Production China)

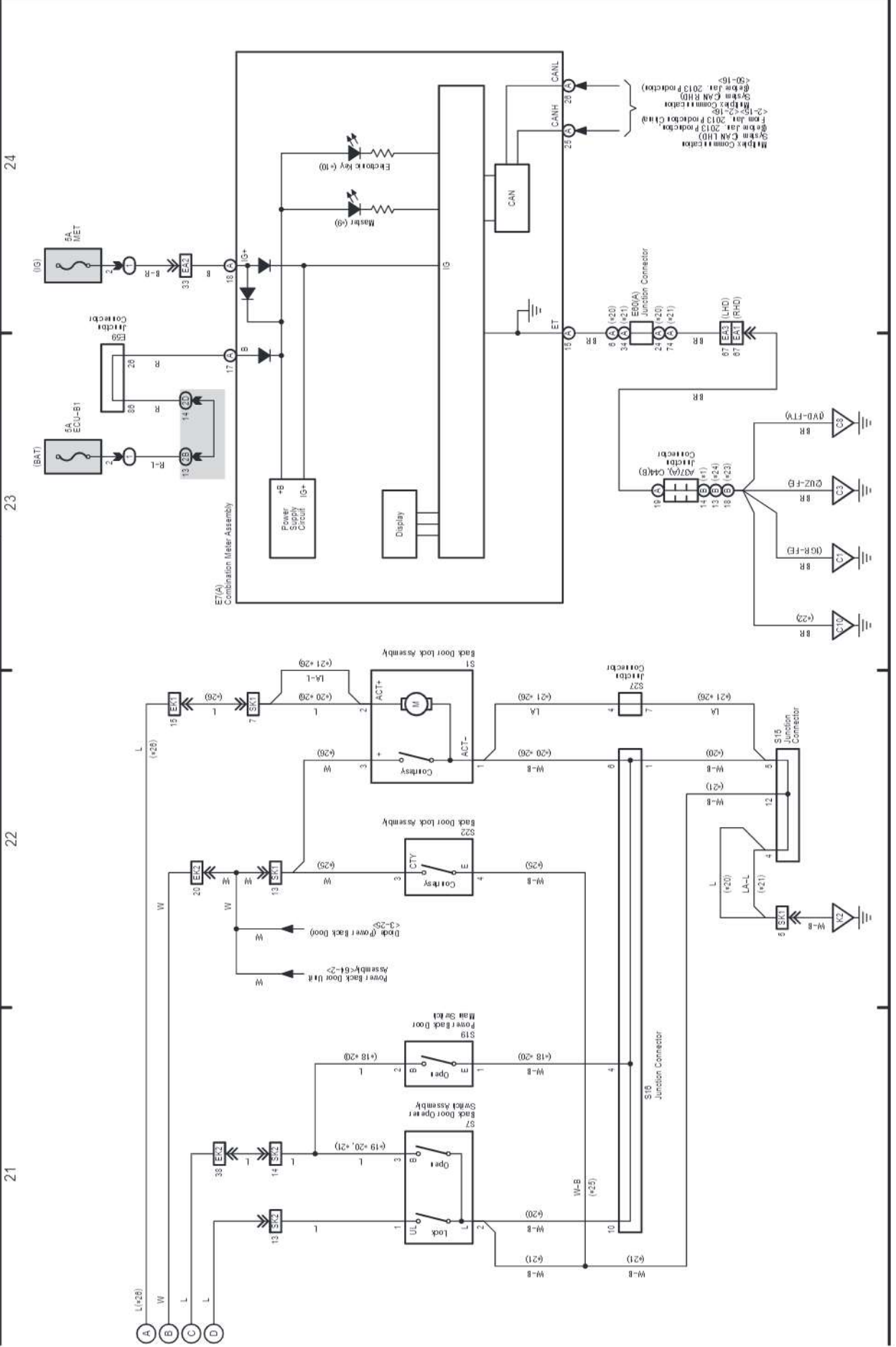




4 LAND CRUISER Station Wagon (Cont'd)

Back Door Opener  
(Before Jan. 2013 Production,  
From Jan. 2013 Production China)

- \*1: Gasoline
- \*10: Option Meter
- \*18: 3 Seater
- \*19: Except 3 Seater
- \*20: Before Jan. 2013 Production
- \*21: From Jan. 2013 Production
- \*22: 3UR-EE, 1UR-EE
- \*23: VDC-FTV w/o DPF
- \*24: VDC-FTV w/o DPF
- \*25: w/ Power Back Door
- \*26: w/o Power Back Door





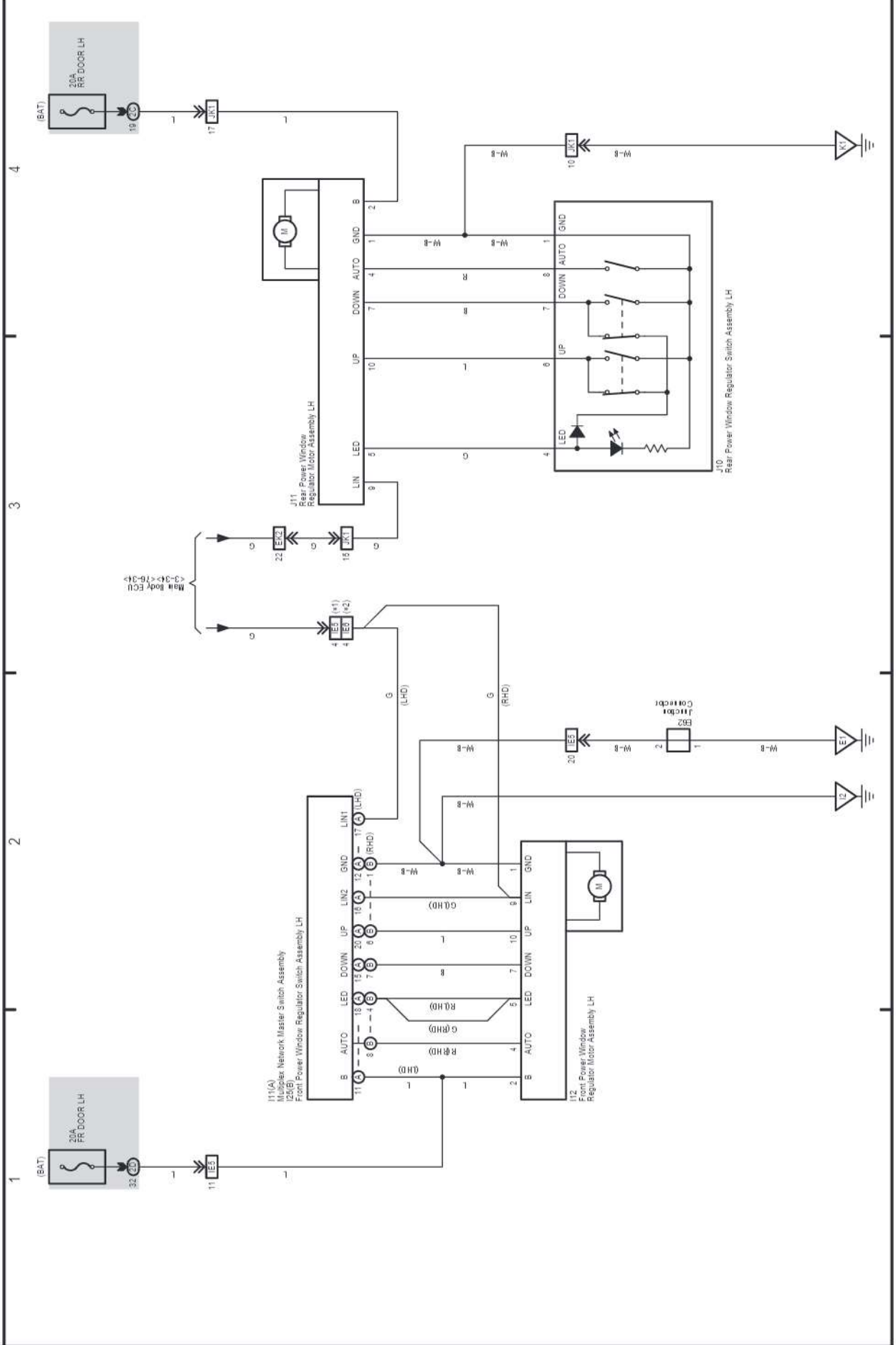
# M OVERALL ELECTRICAL WIRING DIAGRAM

(Cont. next page)

5 LAND CRUISER Station Wagon

## Power Window (All Door Jam Protection)

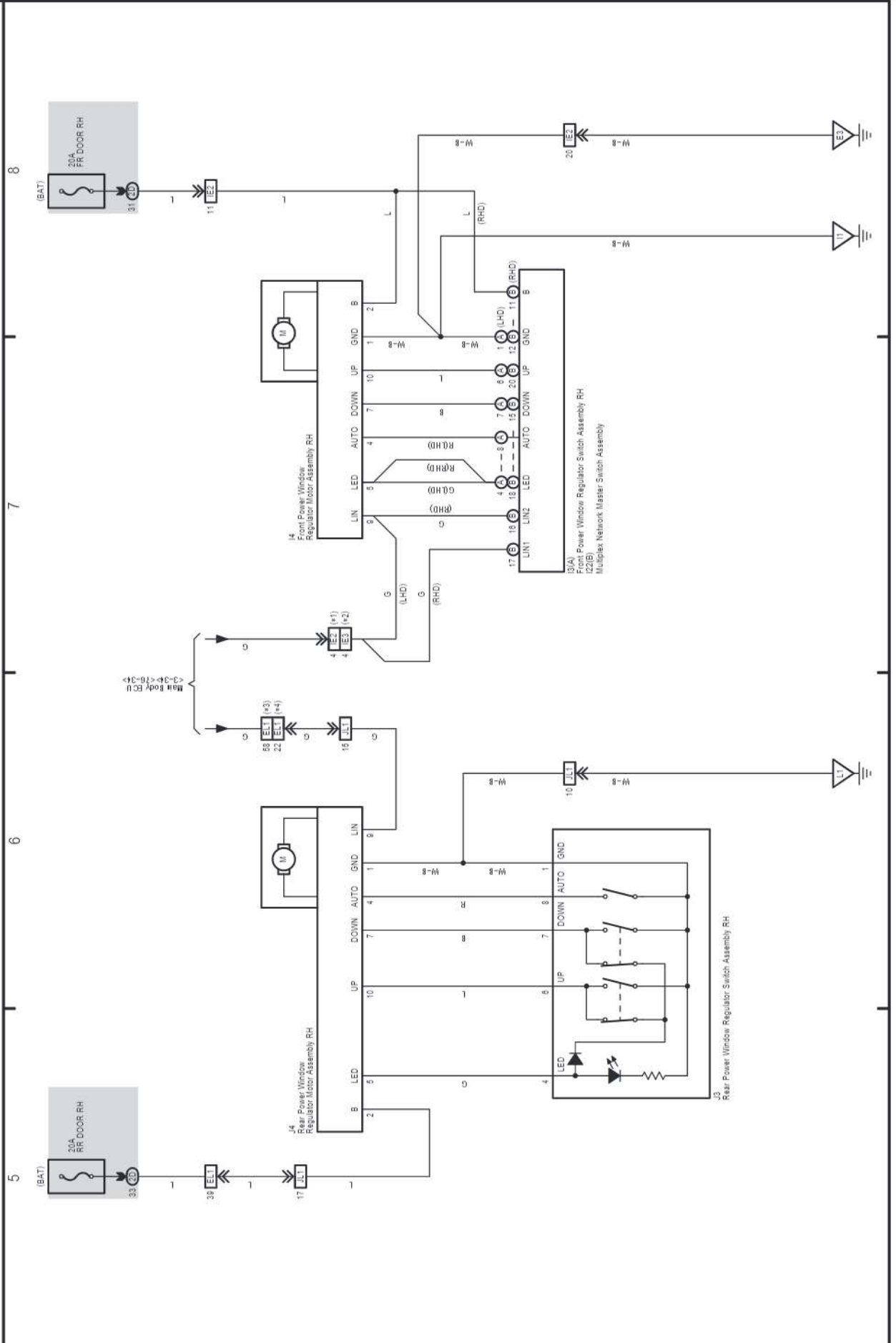
\*1: Ligate Type  
\*2: Swing Type



5 LAND CRUISER Station Wagon (Cont' d)

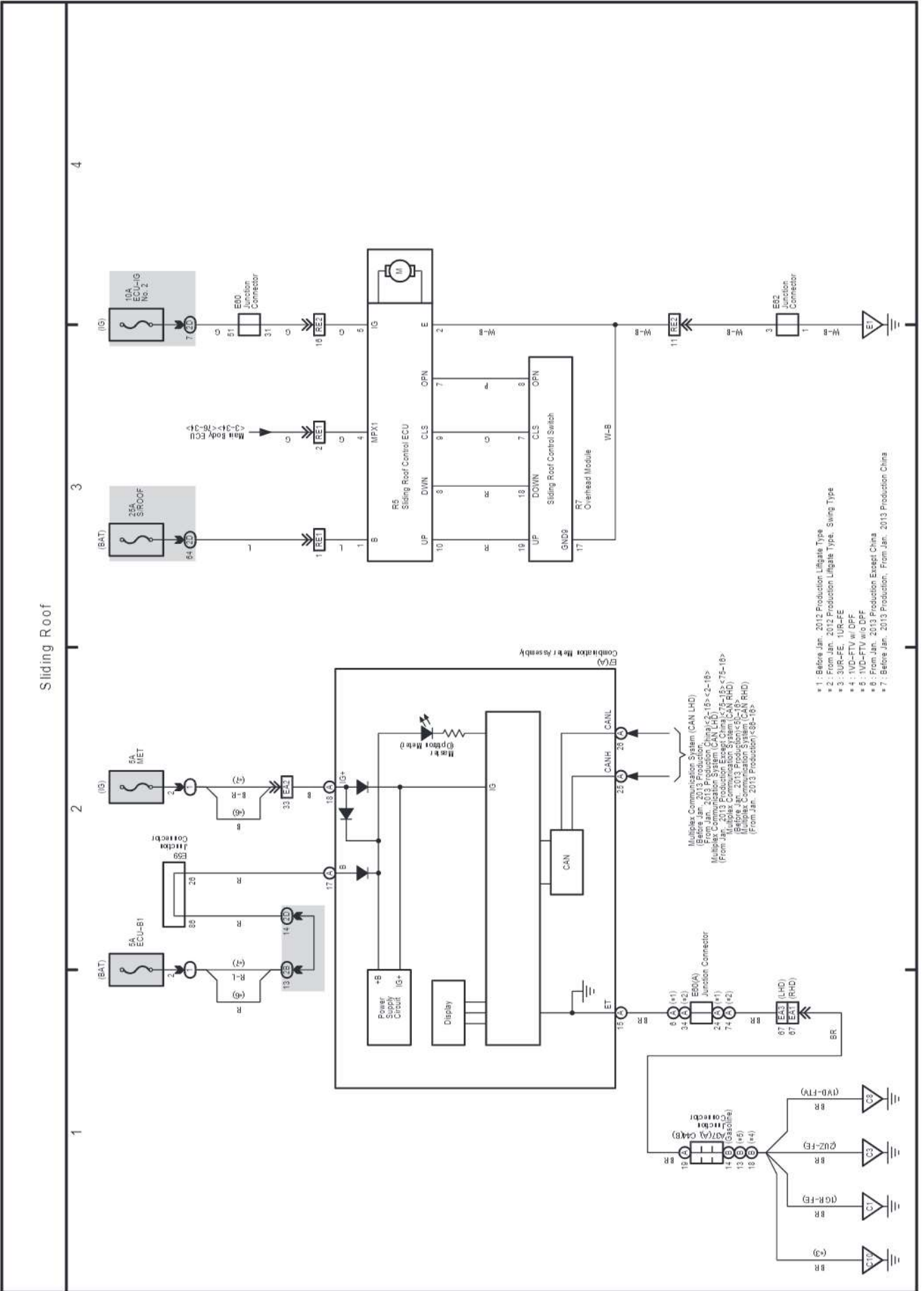
Power Window (All Door Jam Protection)

- \*1 - Liftgate Type
- \*2 - Switch Type
- \*3 - Before Jan. 2012 Production Liftgate Type
- \*4 - From Jan. 2012 Production Liftgate Type, Switch Type



# M OVERALL ELECTRICAL WIRING DIAGRAM

## 6 LAND CRUISER Station Wagon



LAND CRUISER Station Wagon (EM22W1E)

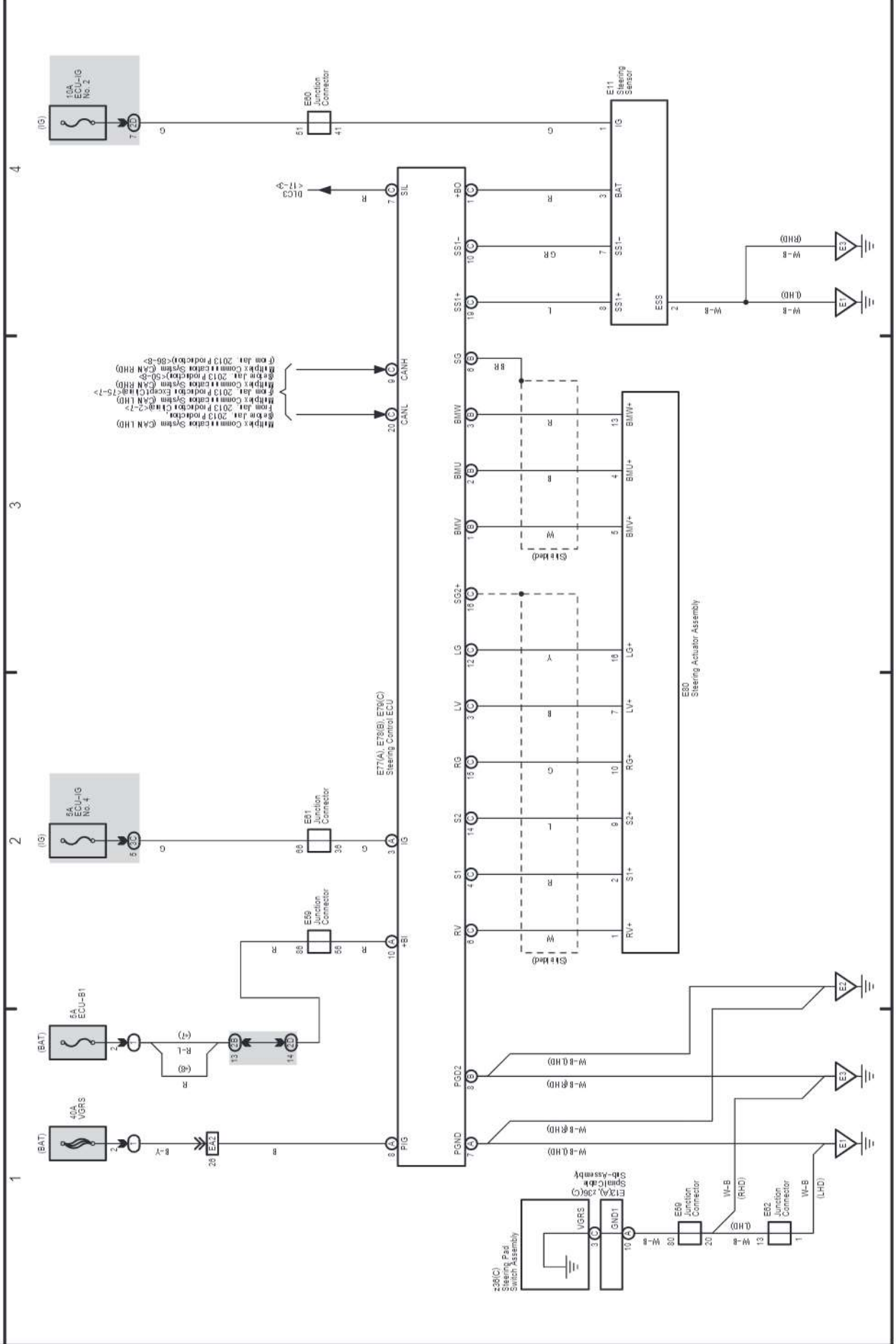
# M OVERALL ELECTRICAL WIRING DIAGRAM

(Cont. next page)

7 LAND CRUISER Station Wagon

## VGRS System

\*7: Before Jan. 2013 Production  
\*8: From Jan. 2013 Production



LAND CRUISER Station Wagon (EM22W1E)

7 LAND CRUISER Station Wagon (Cont' d)

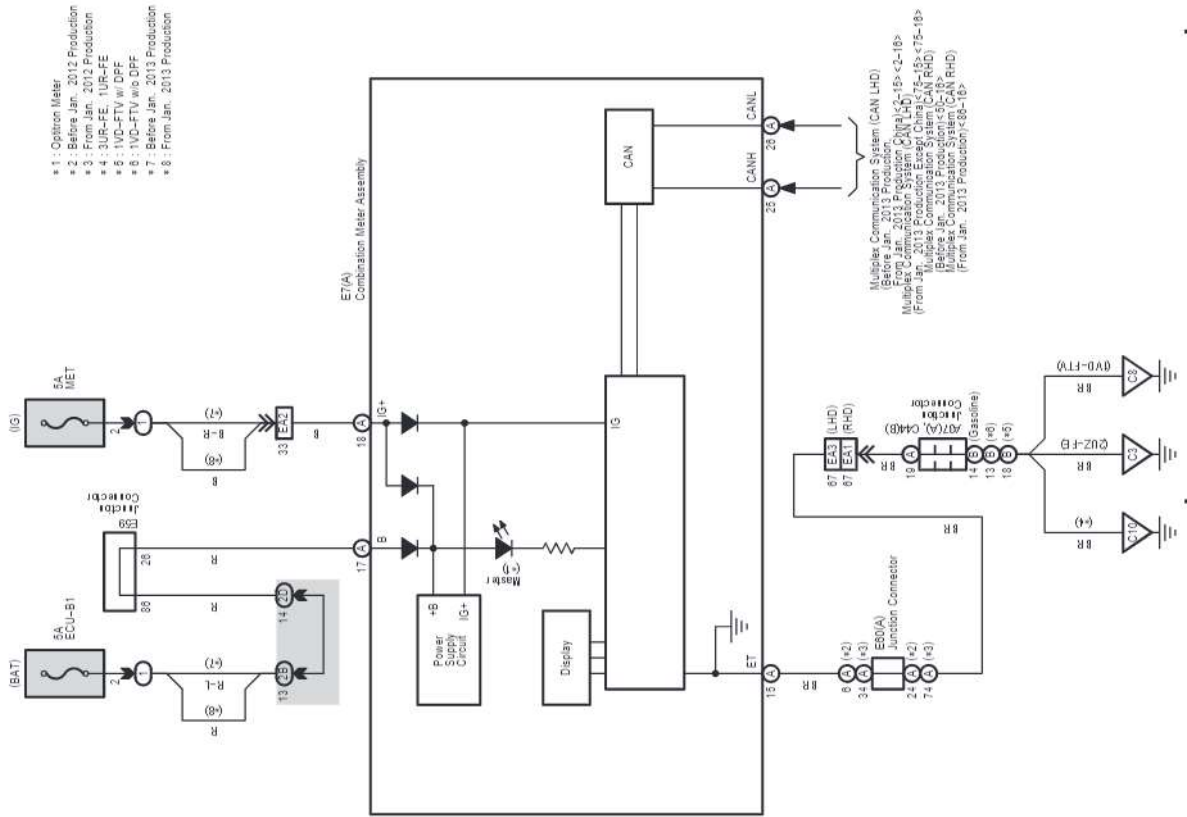
VGRS System

8

7

6

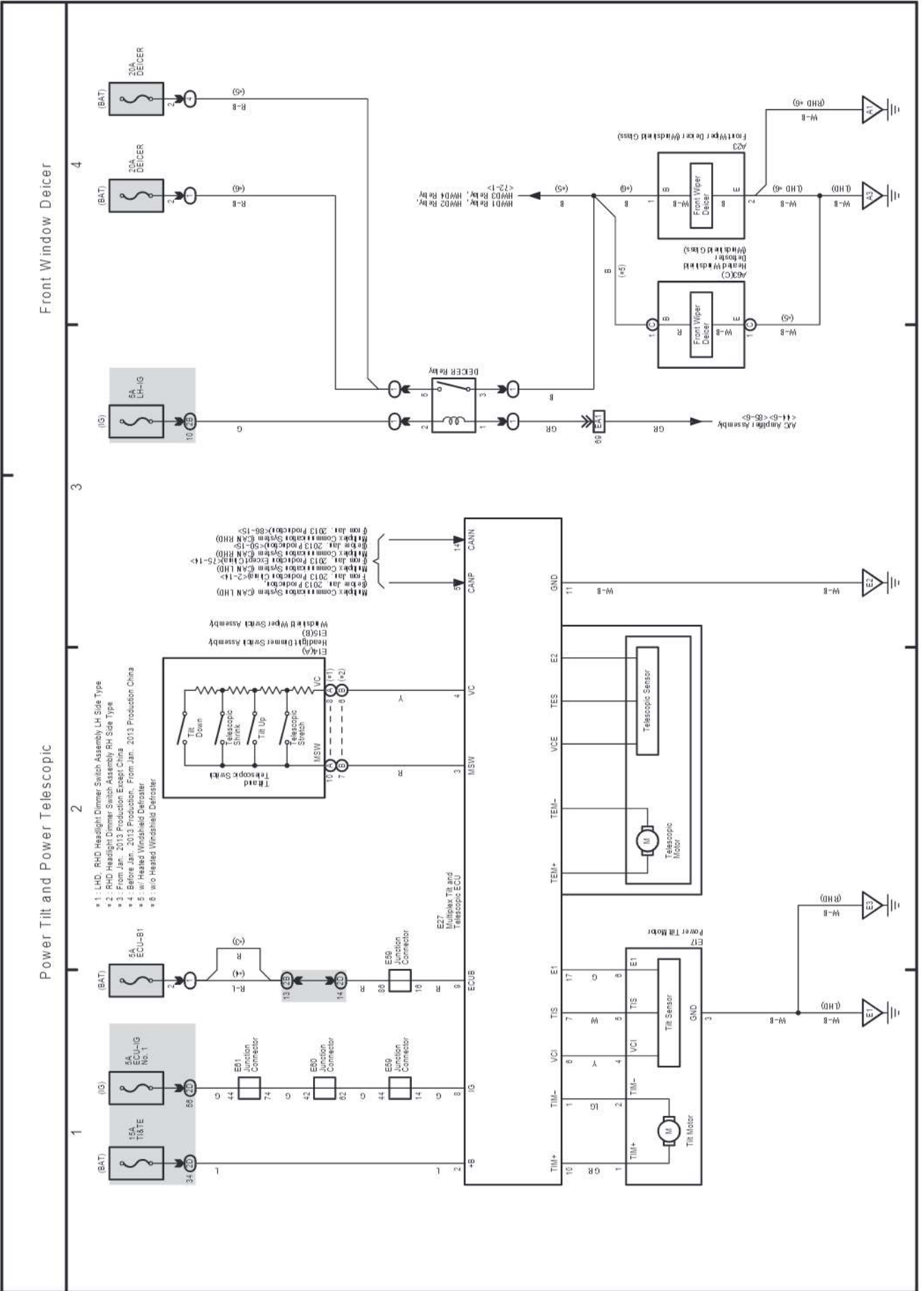
5





# M OVERALL ELECTRICAL WIRING DIAGRAM

## 8 LAND CRUISER Station Wagon



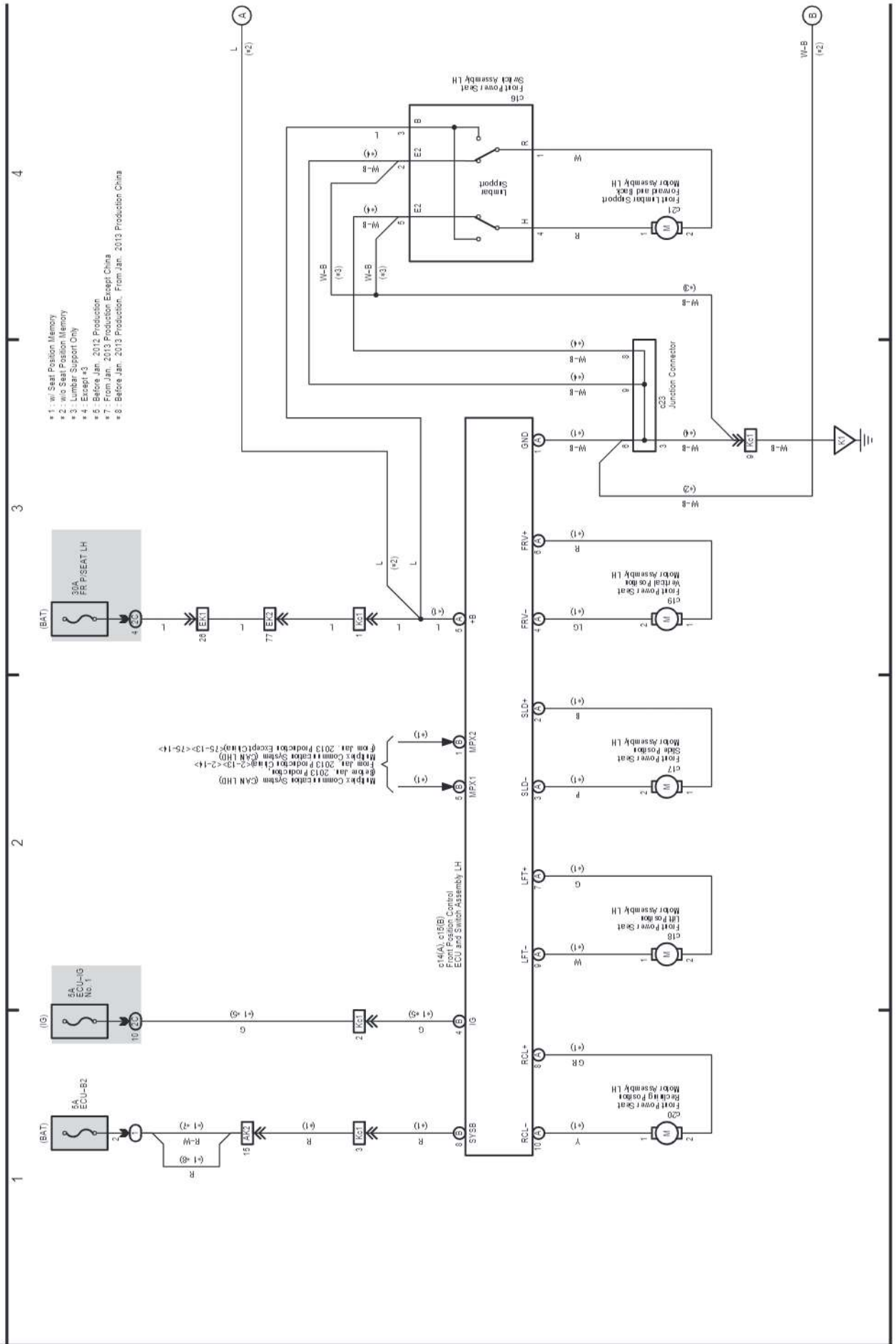
LAND CRUISER Station Wagon (EM22W1E)

# M OVERALL ELECTRICAL WIRING DIAGRAM

(Cont. next page)

9 LAND CRUISER Station Wagon

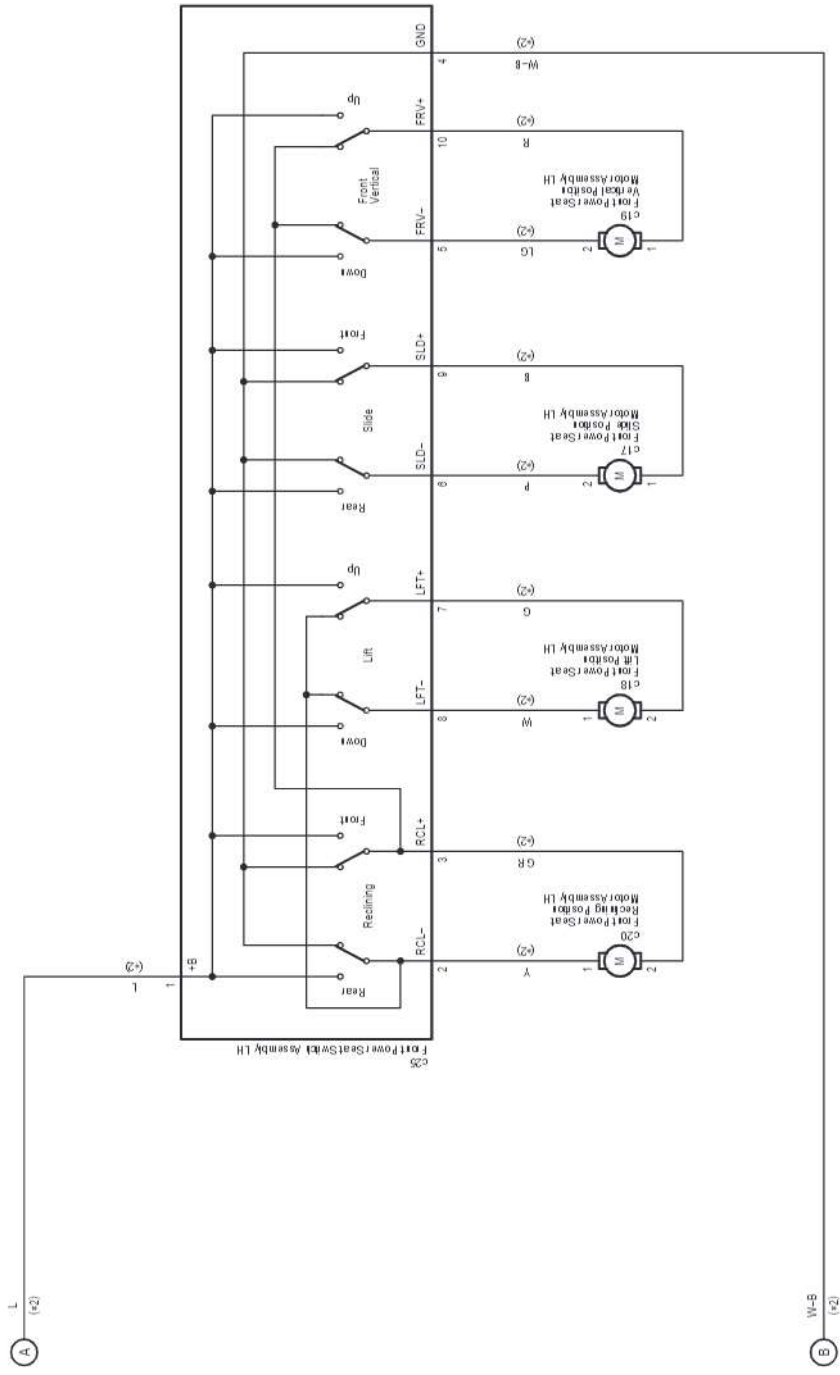
Power Seat (LHD Driver's Seat w/ Seat Position Memory)



Power Seat (LHD Driver's Seat w/o Seat Position Memory)



\* 2 - w/o Seat Position Memory



A L (x2)

B W-B (x2)

# M OVERALL ELECTRICAL WIRING DIAGRAM

## 9 LAND CRUISER Station Wagon (Cont' d)

\* 5 : Before Jan. 2012 Production  
\* 6 : From Jan. 2012 Production

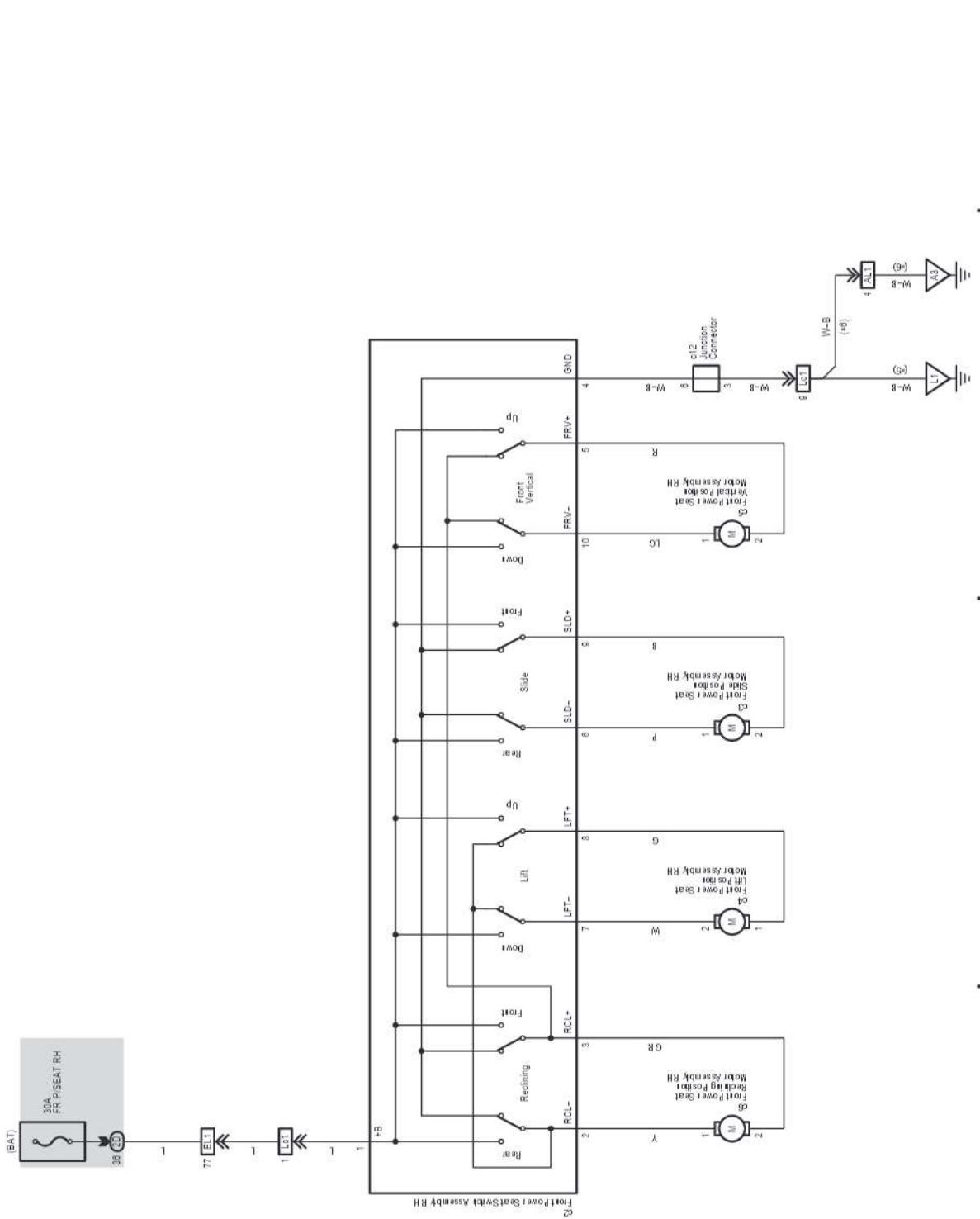
### Power Seat (LHD Front Passenger's Seat)

12

11

10

9

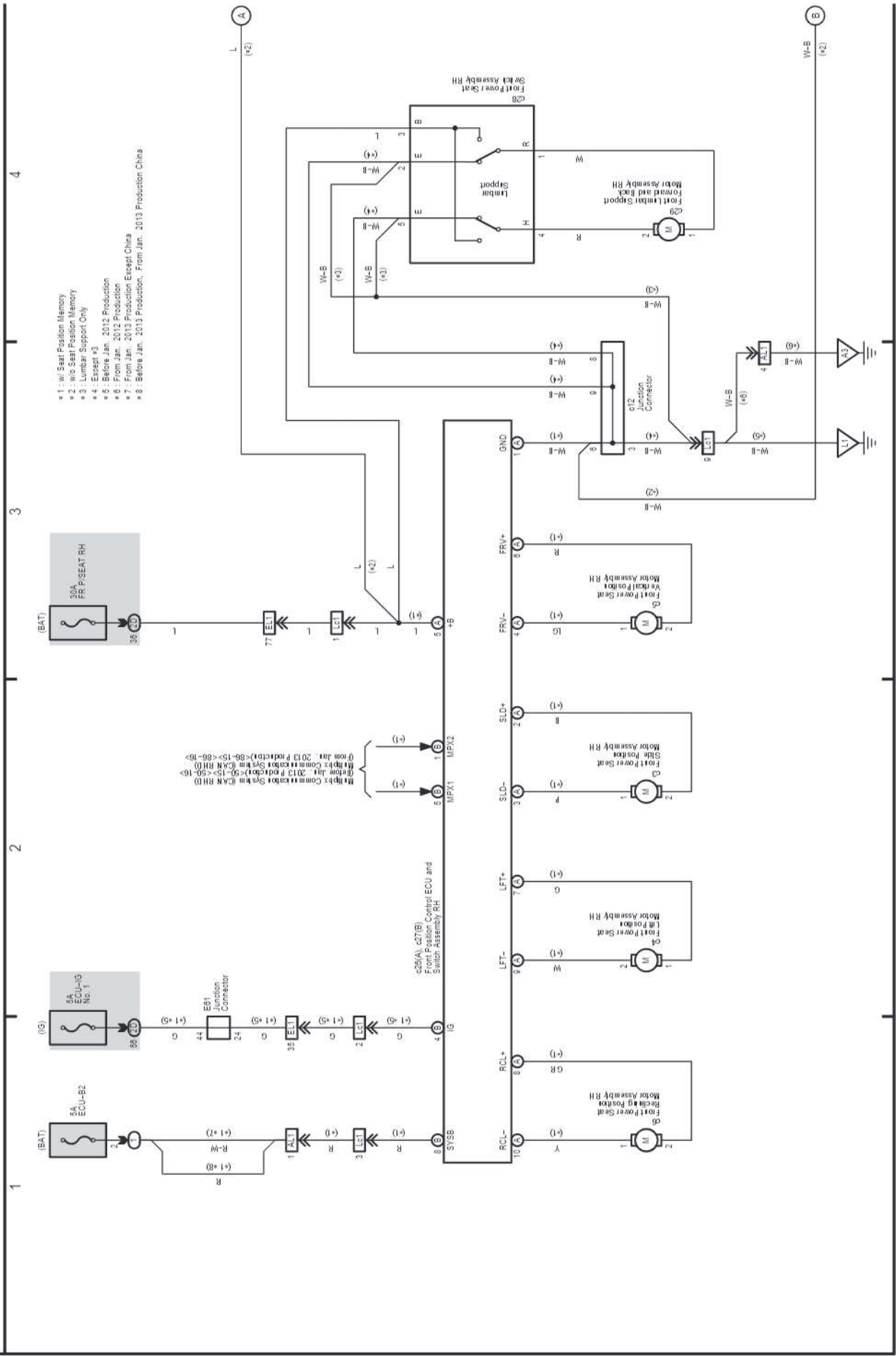


# M OVERALL ELECTRICAL WIRING DIAGRAM

(Cont. next page)

10 LAND CRUISER Station Wagon

### Power Seat (RHD Driver)'s Seat w/ Seat Position Memory

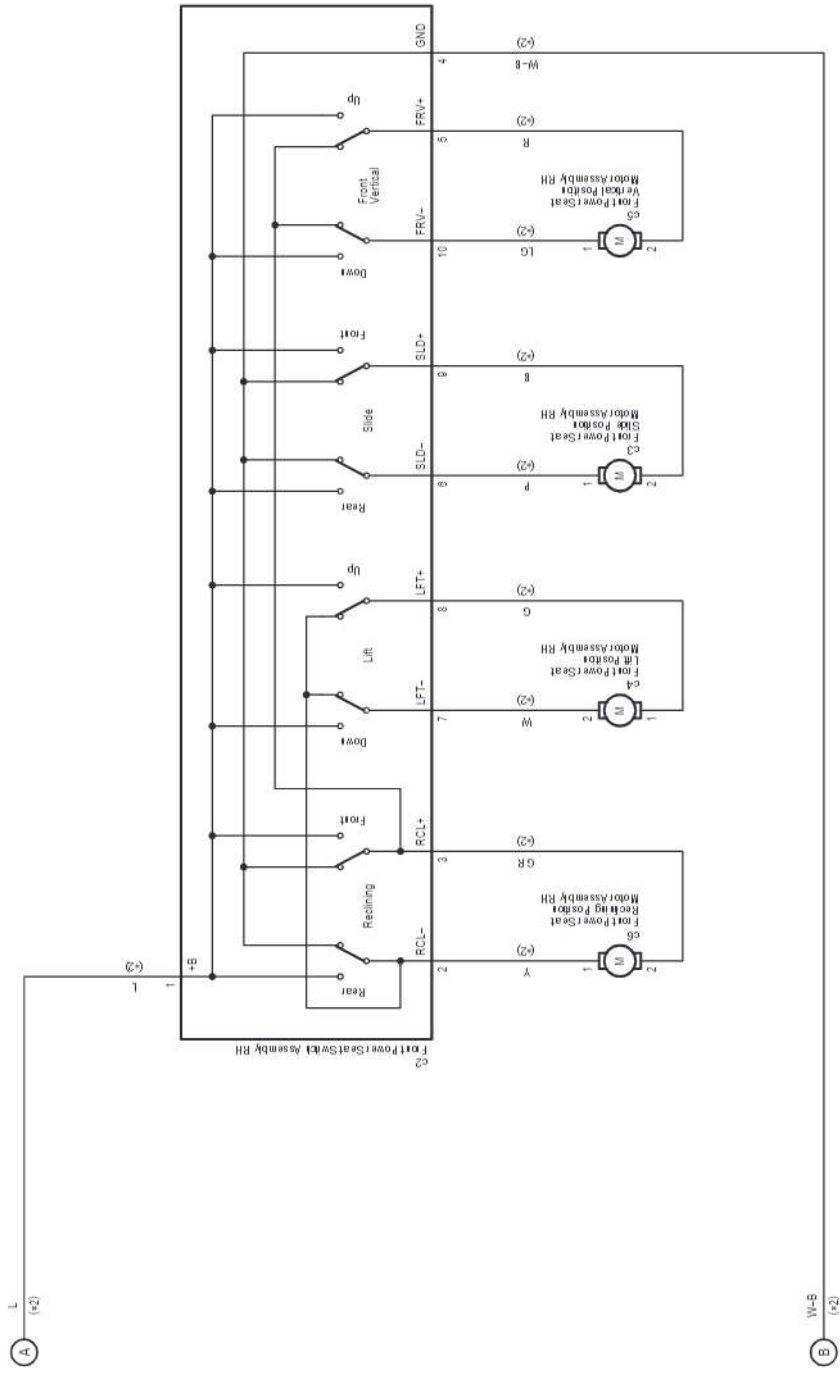




Power Seat (RHD Driver' s Seat w/o Seat Position Memory)



\* 2 - w/o Seat Position Memory



A L (x2)

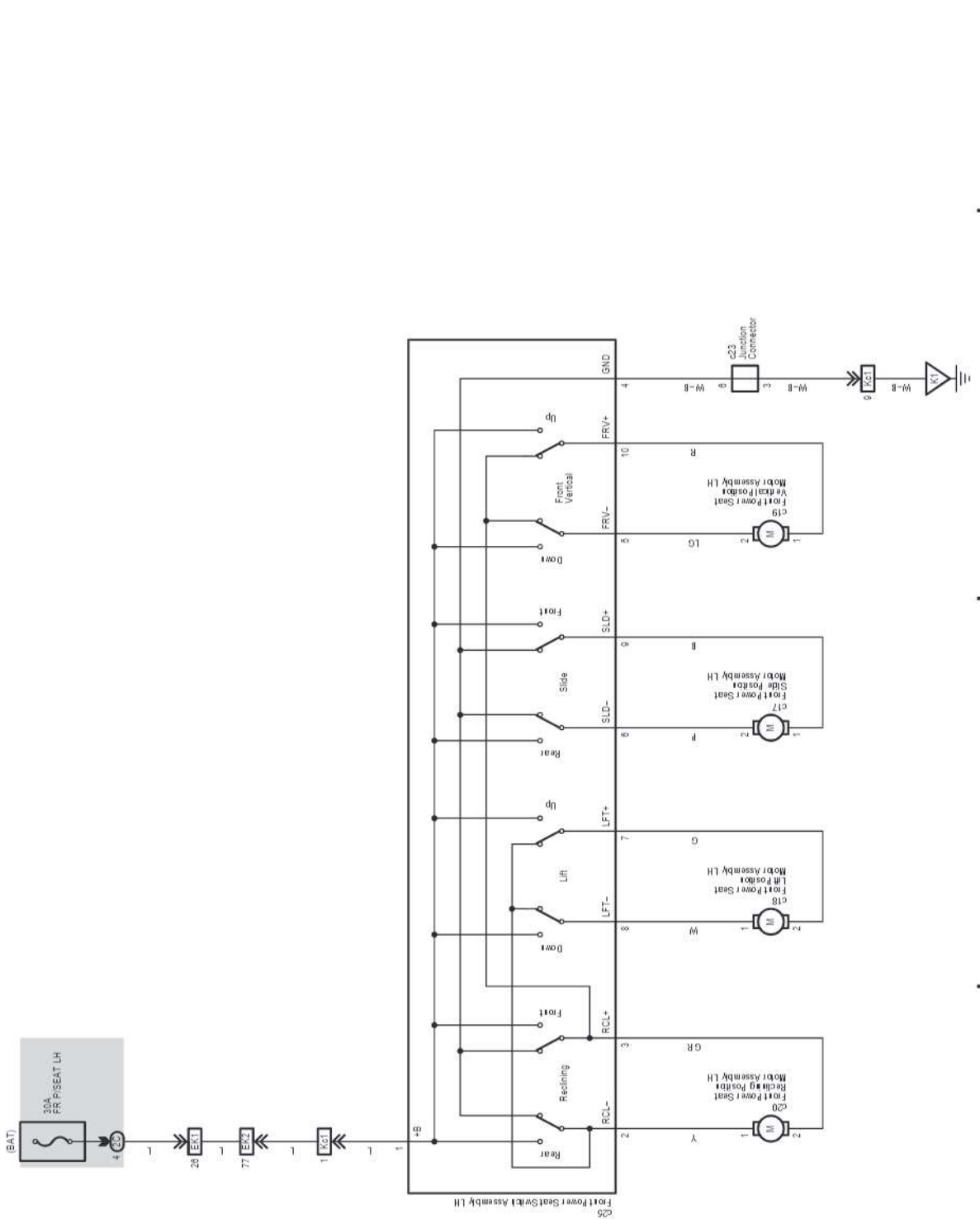
B W-B (x2)

# M OVERALL ELECTRICAL WIRING DIAGRAM

## 10 LAND CRUISER Station Wagon (Cont' d)

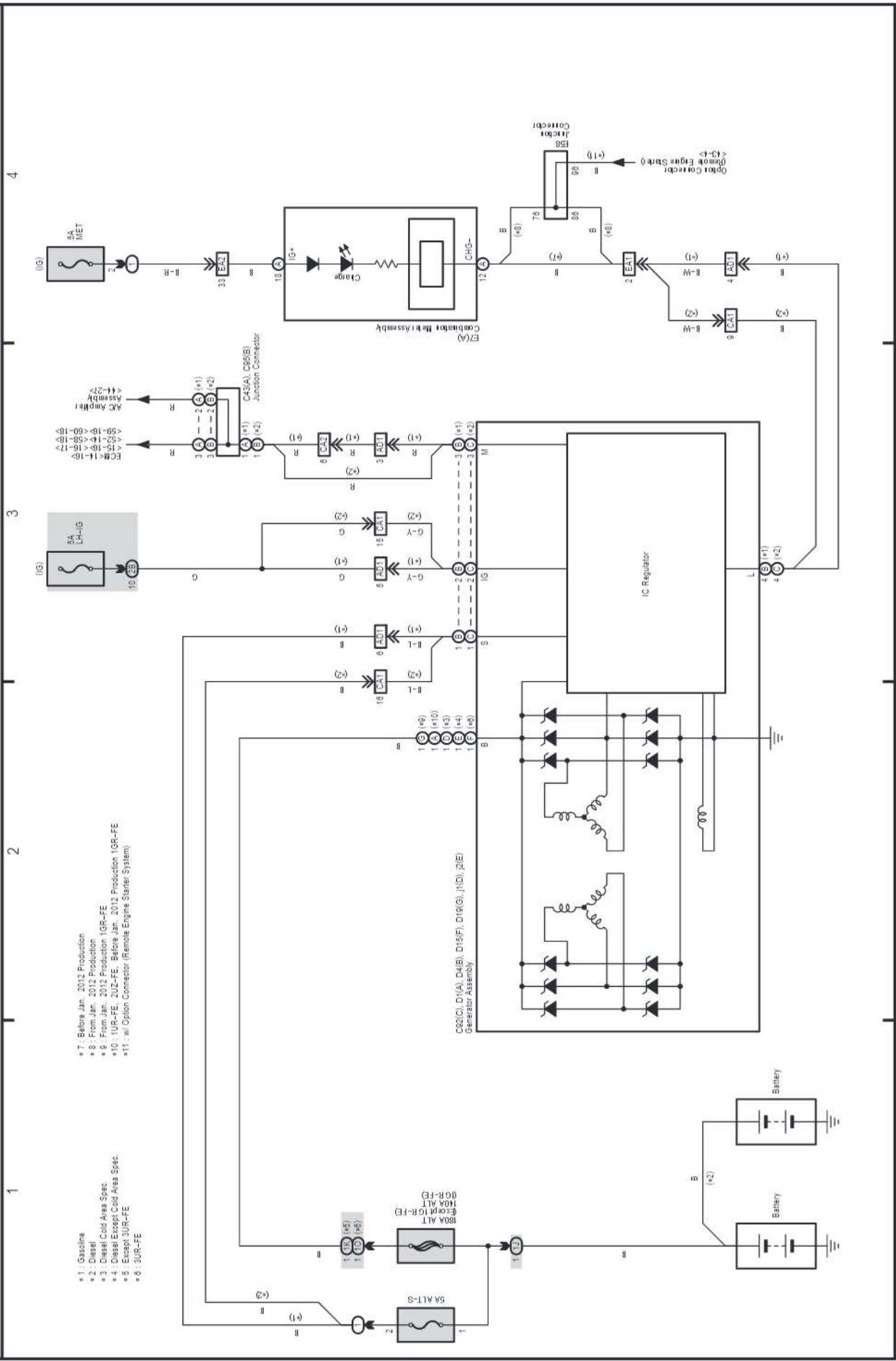
### Power Seat (RHD Front Passenger's Seat)

9 10 11 12



11 LAND CRUISER Station Wagon

Charging (Before Jan. 2013 Production, From Jan. 2013 Production China)



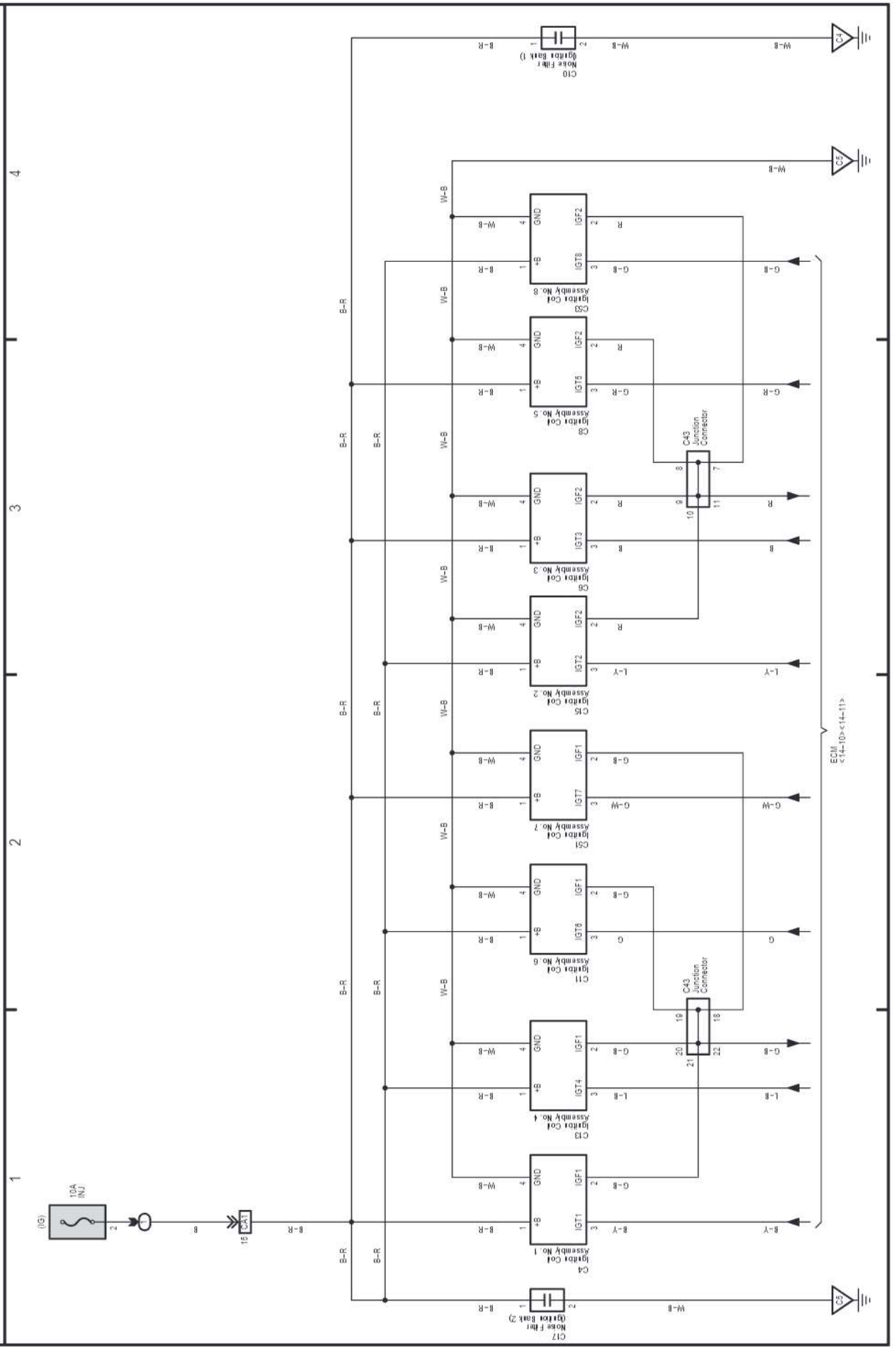
- \* 1 : Gasoline
- \* 2 : Diesel
- \* 3 : Diesel Cold Area Spec.
- \* 4 : Diesel Except Cold Area Spec.
- \* 5 : Except 3UR-FE
- \* 6 : 3UR-FE
- \* 7 : Before Jan. 2012 Production
- \* 8 : From Jan. 2012 Production
- \* 9 : From Jan. 2012 Production 1GR-FE
- \* 10 : 1UR-FE, 2UR-FE, Before Jan. 2012 Production 1GR-FE
- \* 11 : w/ Option Connector (Remote Engine Starter System)

LAND CRUISER Station Wagon (EM22W1E)

# M OVERALL ELECTRICAL WIRING DIAGRAM

## 12 LAND CRUISER Station Wagon

### Ignition (2UZ-FE)

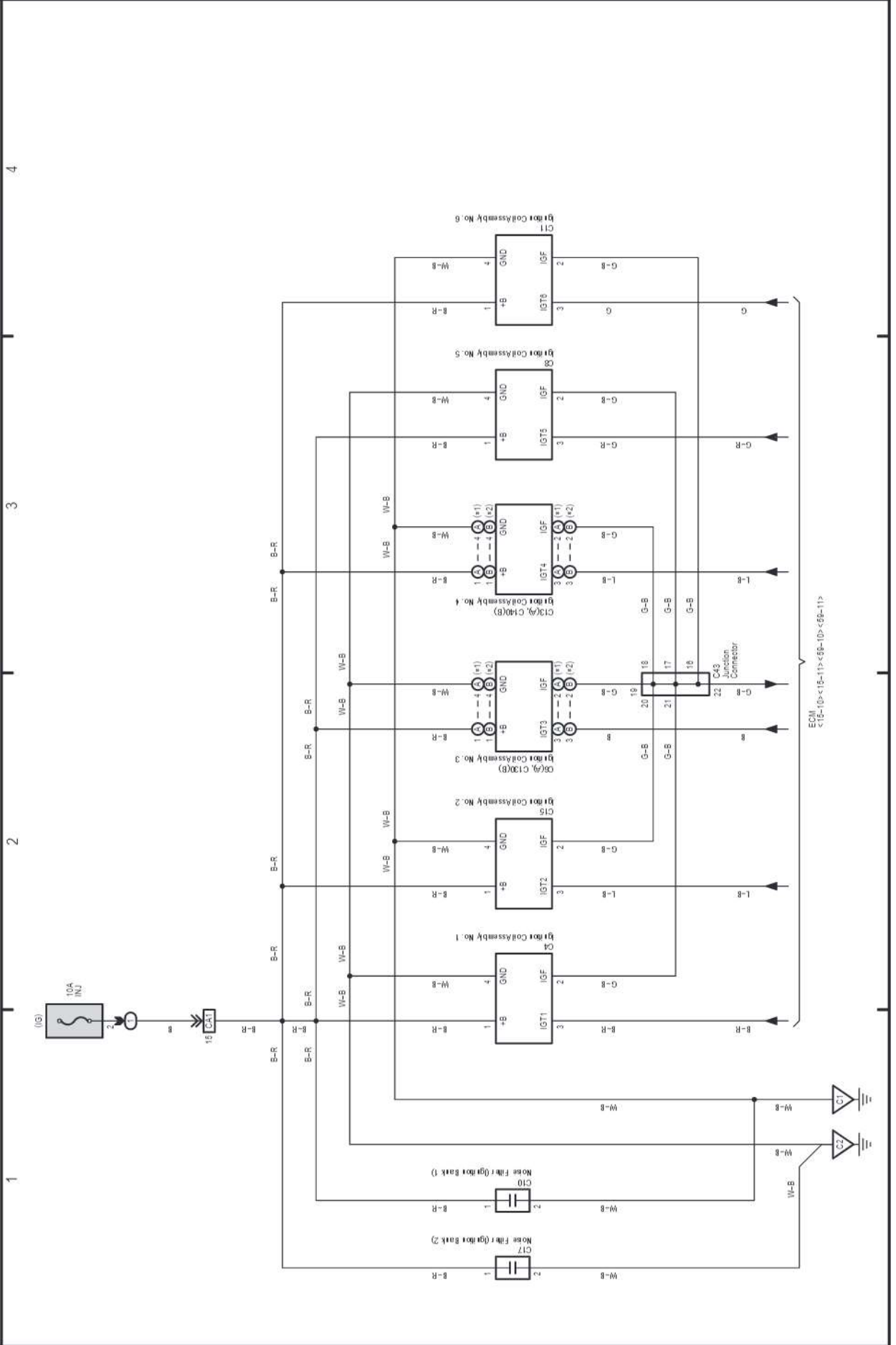


LAND CRUISER Station Wagon (EM22W1E)

13 LAND CRUISER Station Wagon

Ignition (1GR-FE)

\*1: Before Jan. 2013 Production  
\*2: From Jan. 2013 Production



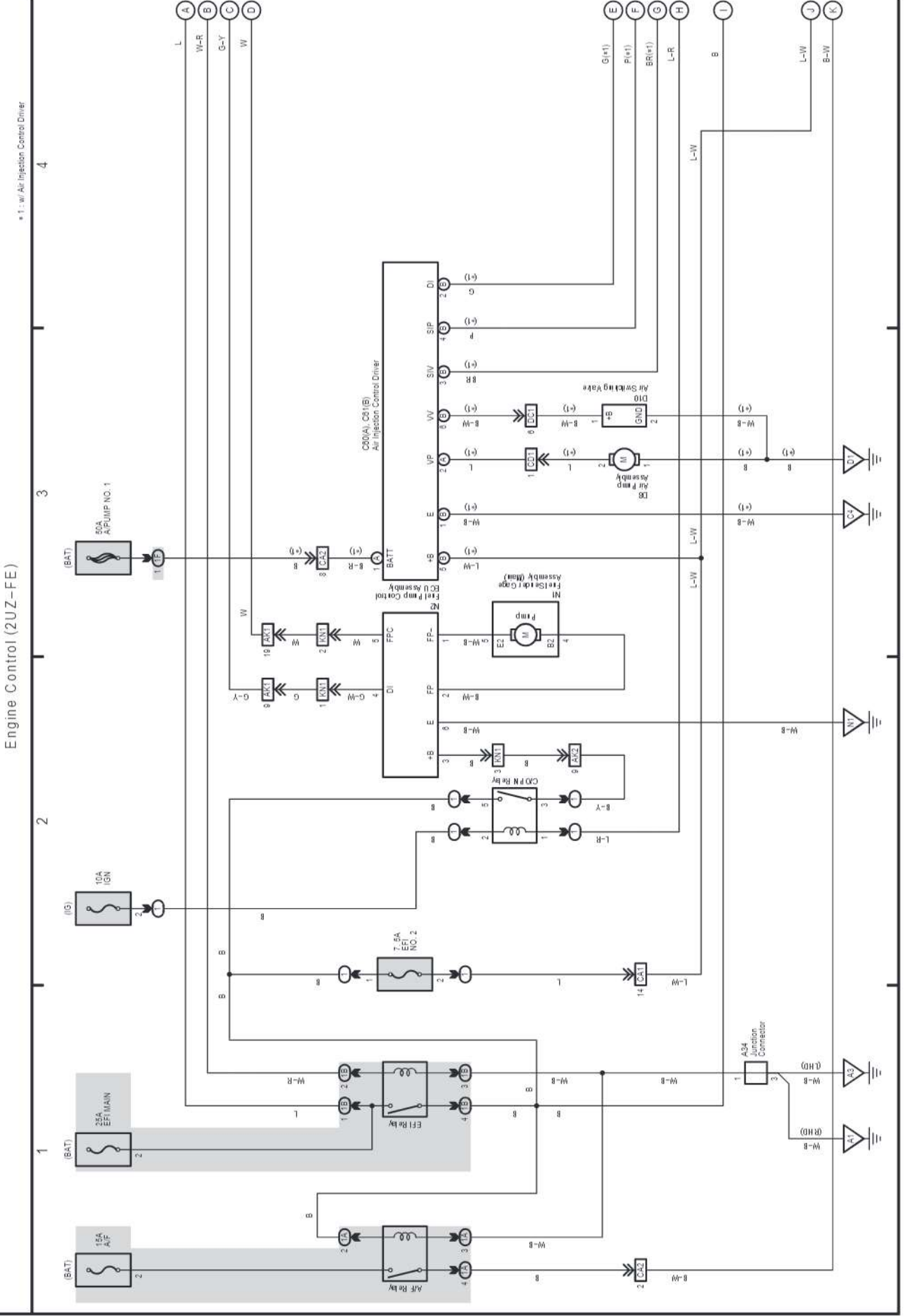
LAND CRUISER Station Wagon (EM22W1E)



# M OVERALL ELECTRICAL WIRING DIAGRAM

(Cont. next page)

14 LAND CRUISER Station Wagon



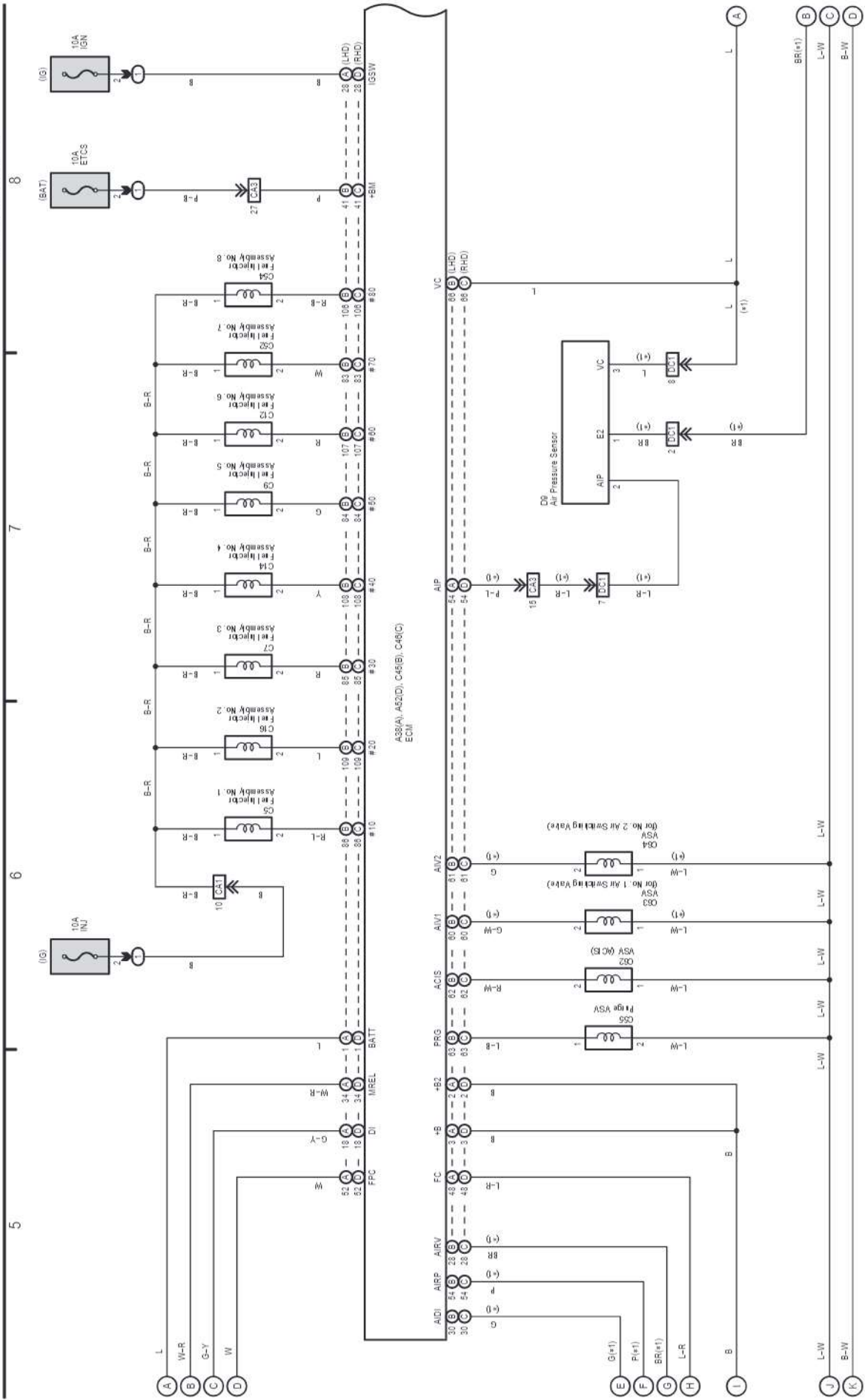
LAND CRUISER Station Wagon (EM22W1E)

14 LAND CRUISER Station Wagon (Cont' d)

(Cont. next page)

Engine Control (2UZ-FE)

\* 1 - w/ Air Injection Control Driver



LAND CRUISER Station Wagon (EM22W1E)

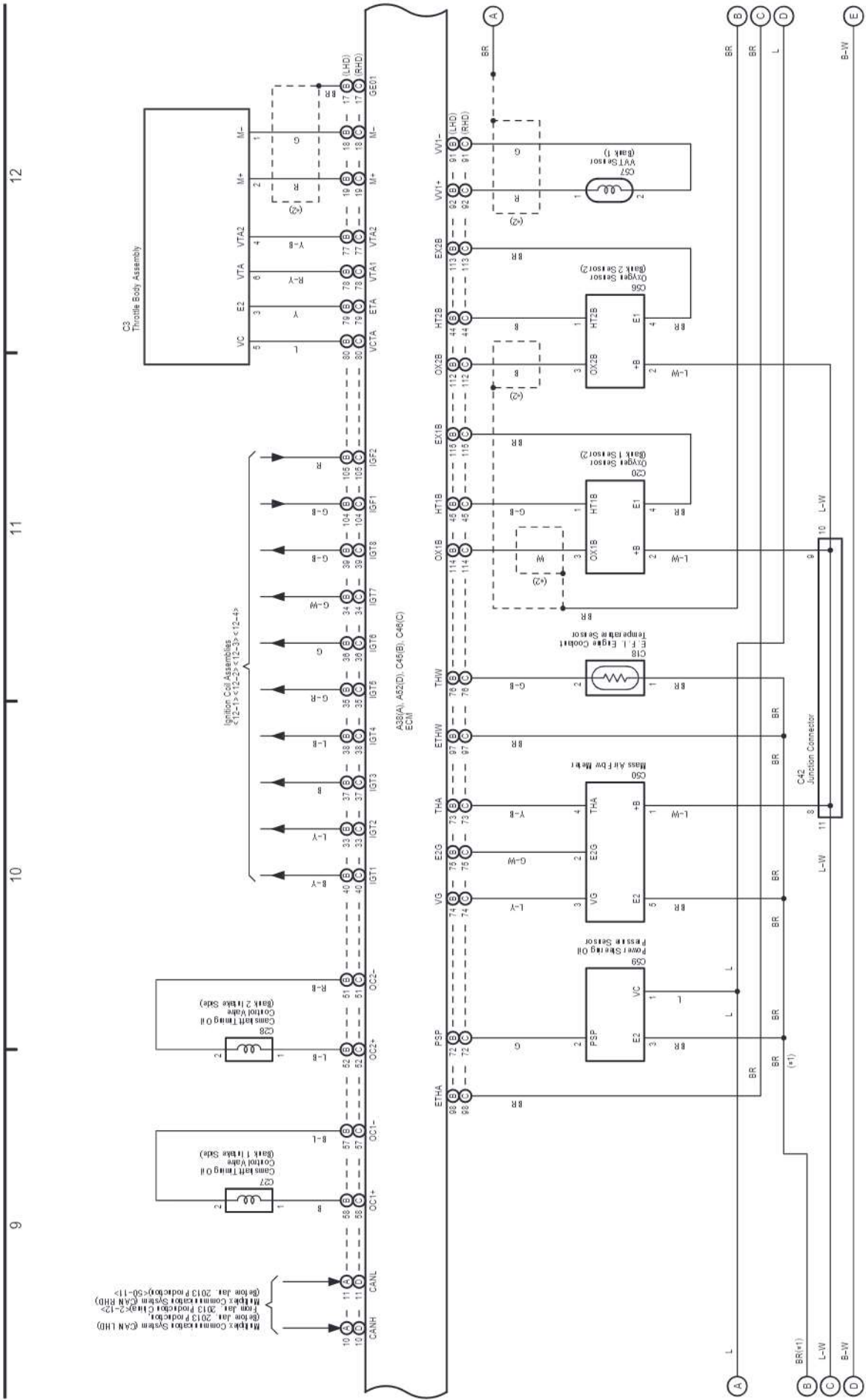
# M OVERALL ELECTRICAL WIRING DIAGRAM

(Cont. next page)

14 LAND CRUISER Station Wagon (Cont' d)

\* 1 : W/ Air Injection Control Driver  
\* 2 : Shielded

## Engine Control (2UZ-FE)



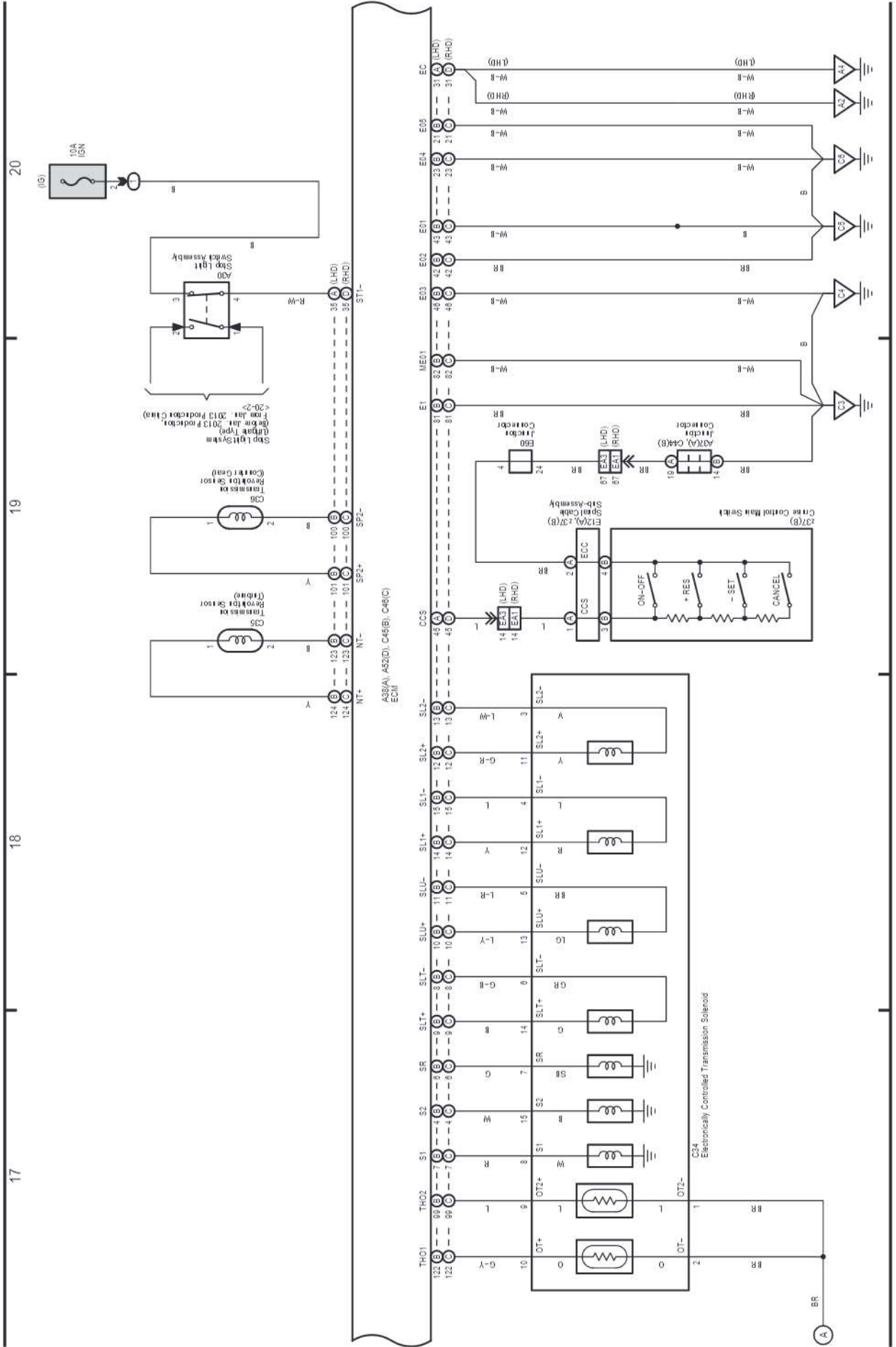


# M OVERALL ELECTRICAL WIRING DIAGRAM

14 LAND CRUISER Station Wagon (Cont' d)

(Cont. next page)

## Cruise Control (2UZ-FE)



LAND CRUISER Station Wagon (EM22W1E)





# M OVERALL ELECTRICAL WIRING DIAGRAM

## 14 LAND CRUISER Station Wagon (Cont' d)

### ECT and A/T Indicator (2UZ-FE)

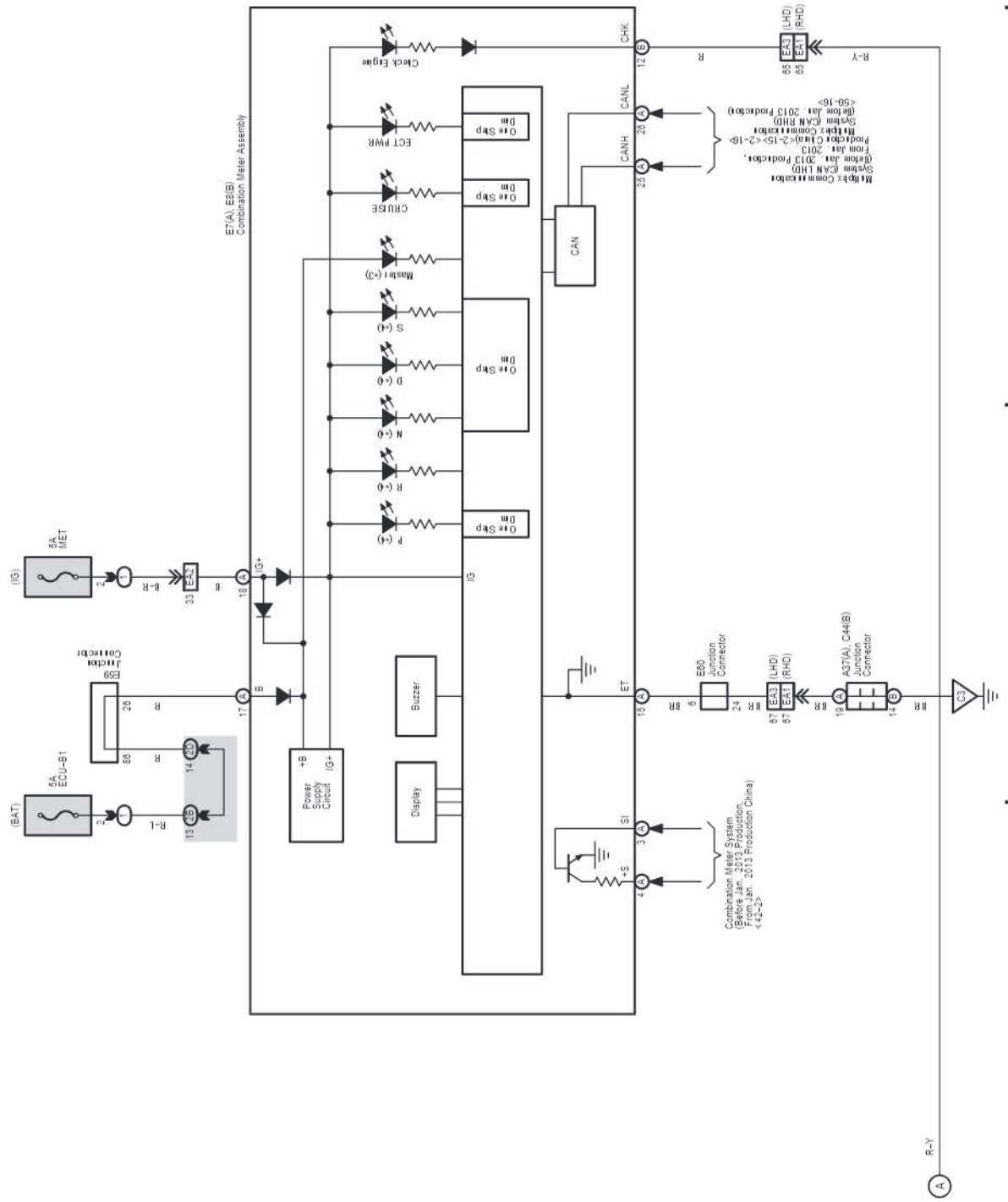
\* 3 : Option Meter.  
\* 4 : Except Option Meter

28

27

26

25

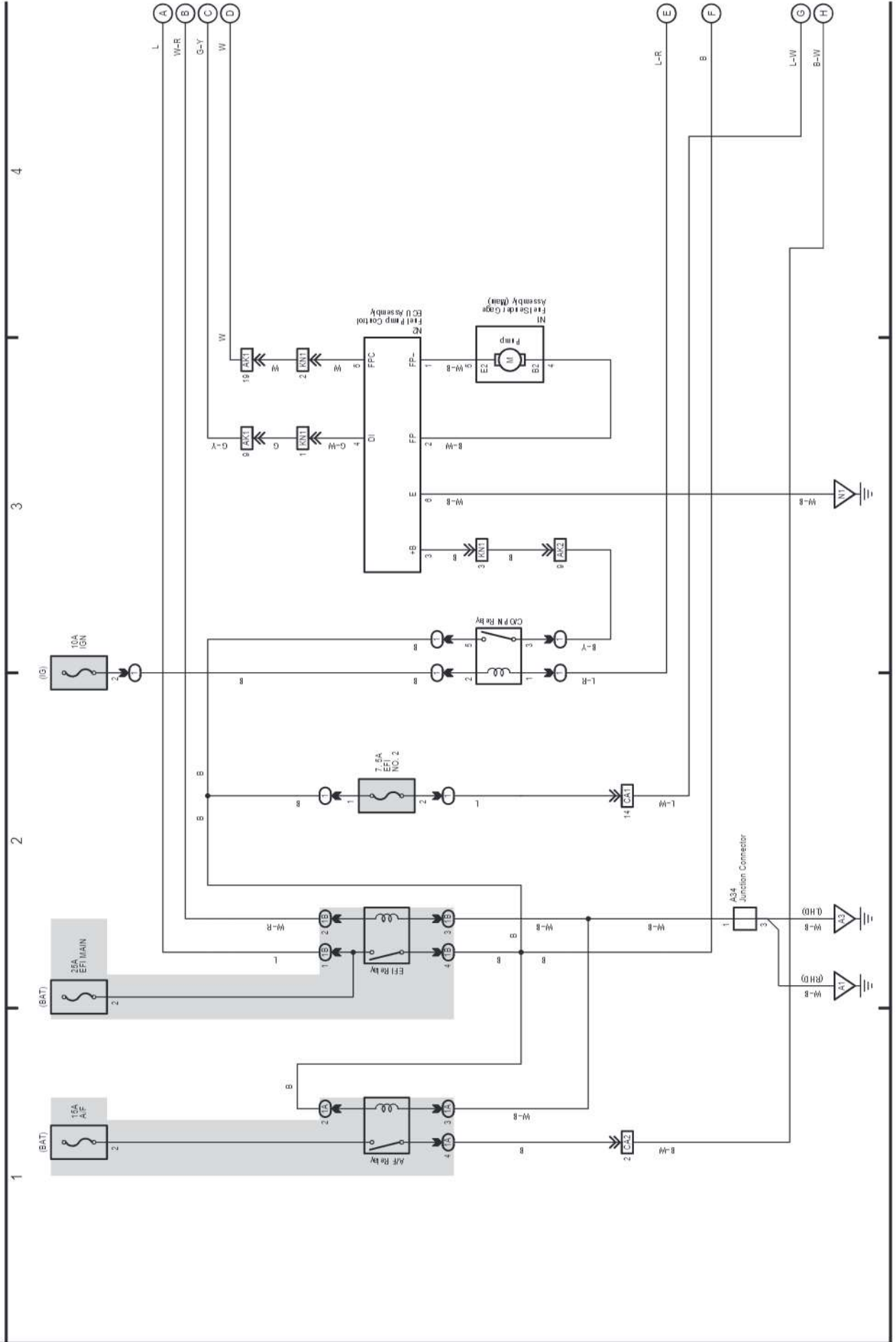


# M OVERALL ELECTRICAL WIRING DIAGRAM

(Cont. next page)

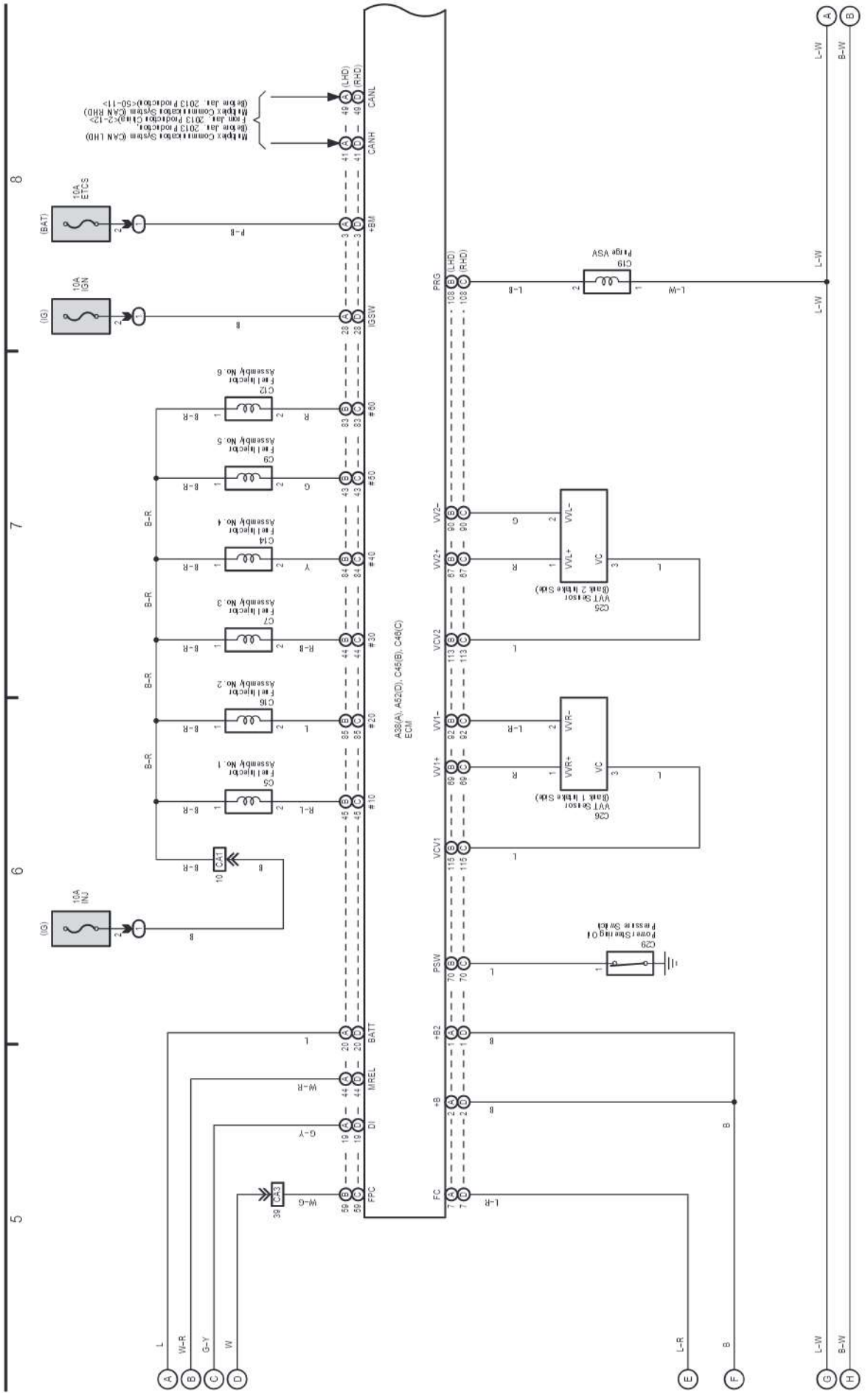
15 LAND CRUISER Station Wagon

Engine Control (1GR-FE) (Before Jan. 2012 Production)



LAND CRUISER Station Wagon (EM22W1E)

Engine Control (1GR-FE) (Before Jan. 2012 Production)



LAND CRUISER Station Wagon (EM22W1E)

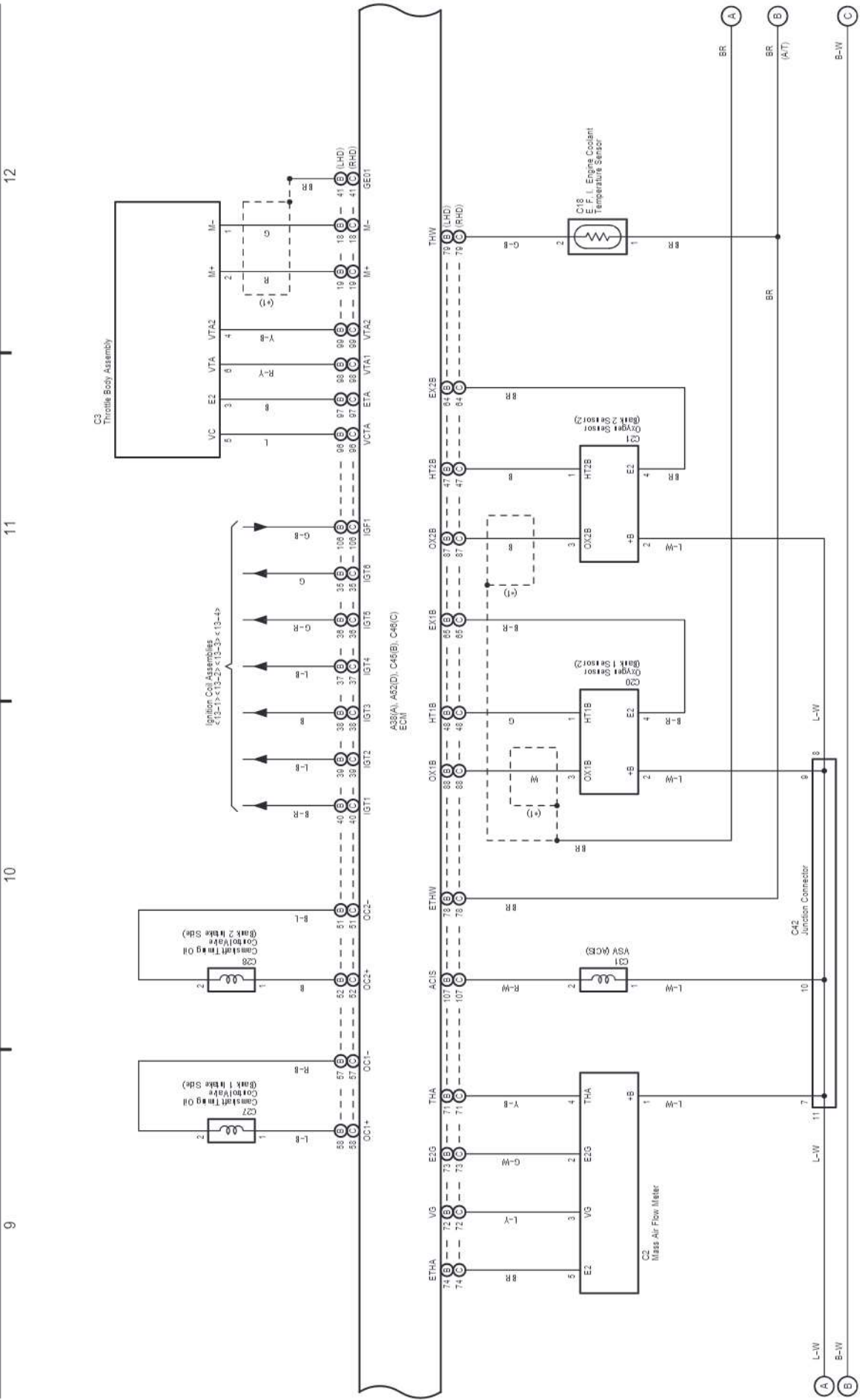
# M OVERALL ELECTRICAL WIRING DIAGRAM

15 LAND CRUISER Station Wagon (Cont' d)

(Cont. next page)

Engine Control (1GR-FE) (Before Jan. 2012 Production)

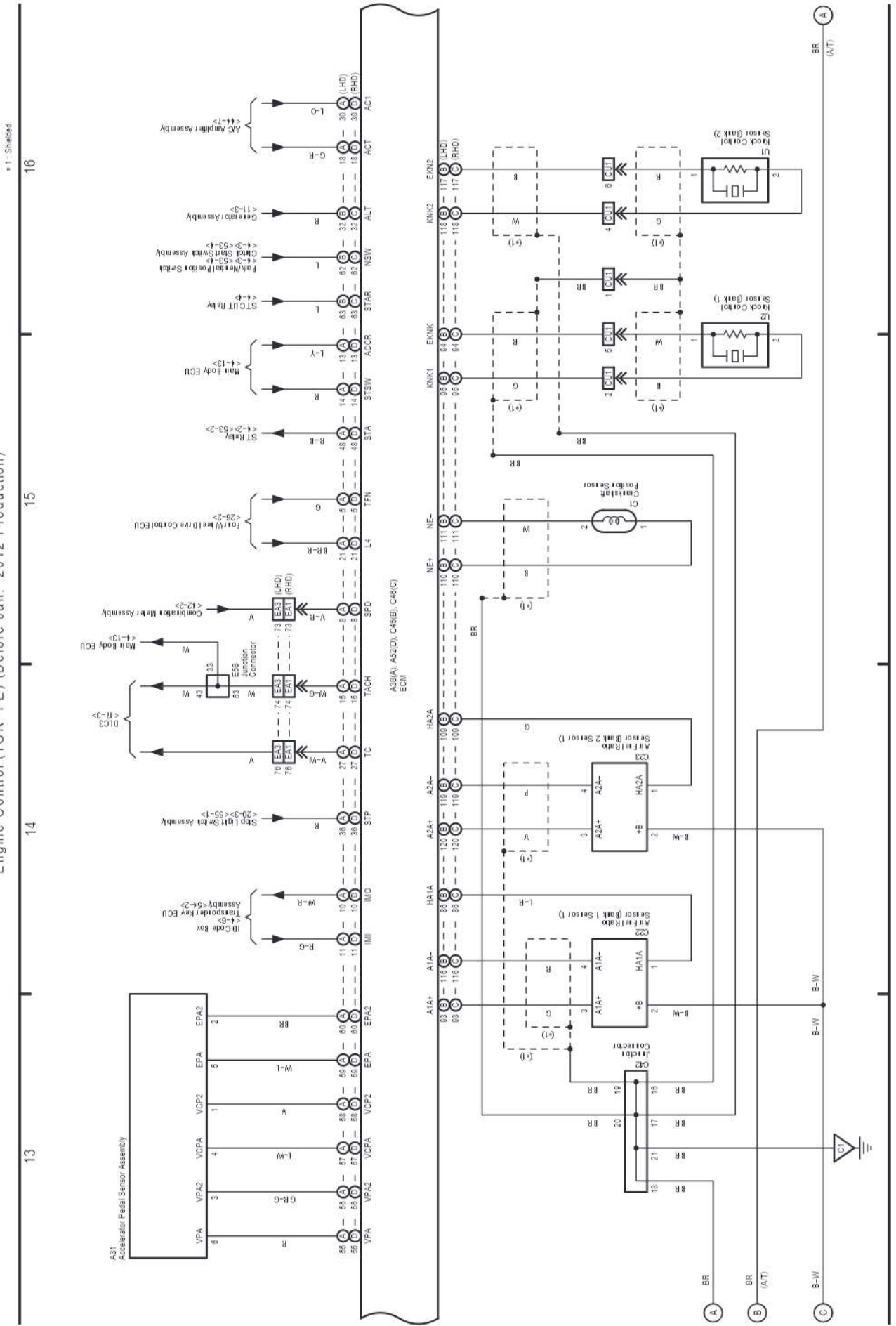
\* 1: Shielded



LAND CRUISER Station Wagon (EM22W1E)



Engine Control (1GR-FE) (Before Jan. 2012 Production)



LAND CRUISER Station Wagon (EM22W1E)

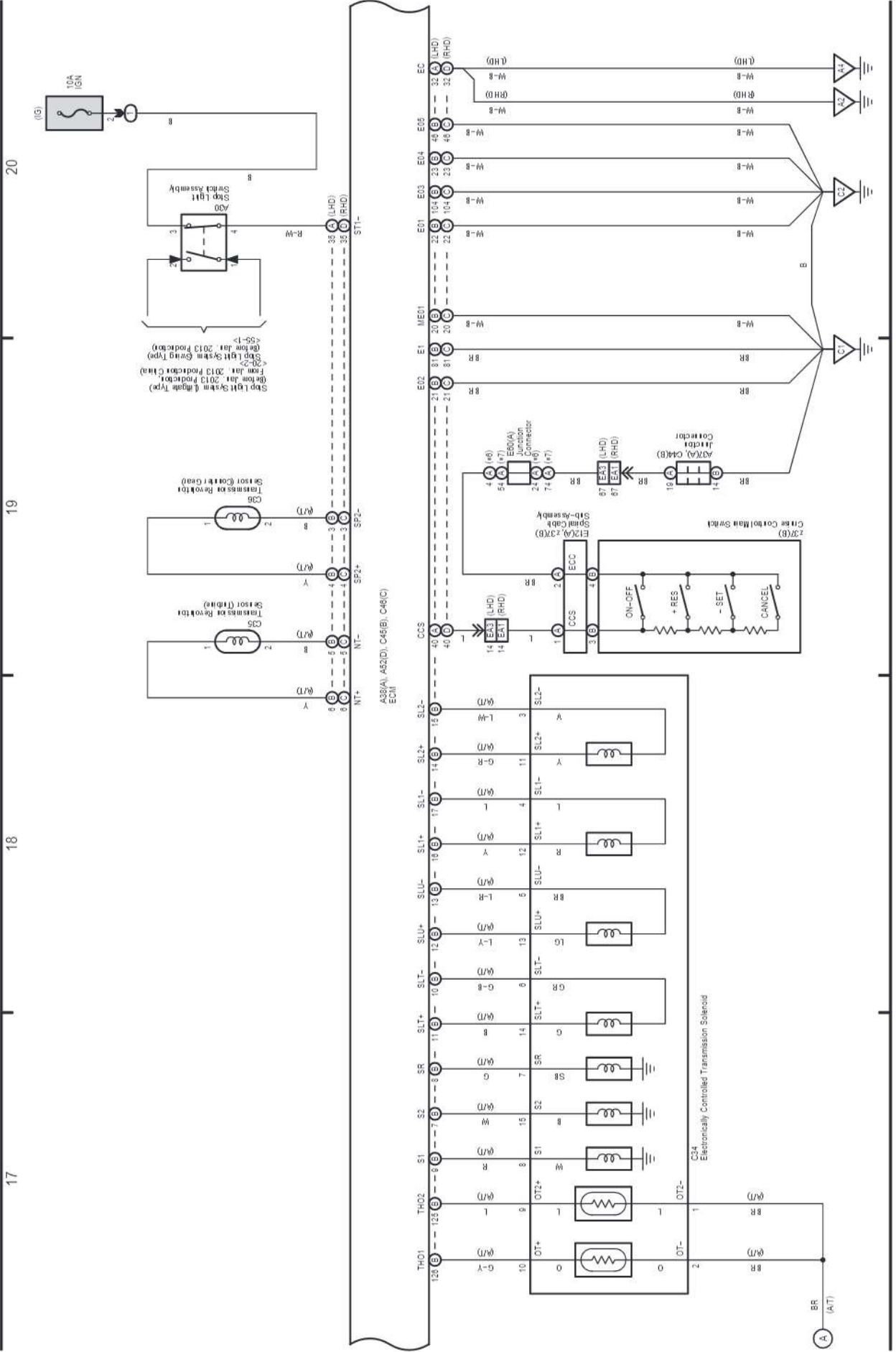
# M OVERALL ELECTRICAL WIRING DIAGRAM

15 LAND CRUISER Station Wagon (Cont' d)

(Cont. next page)

Cruise Control (1GR-FE) (Before Jan. 2012 Production)

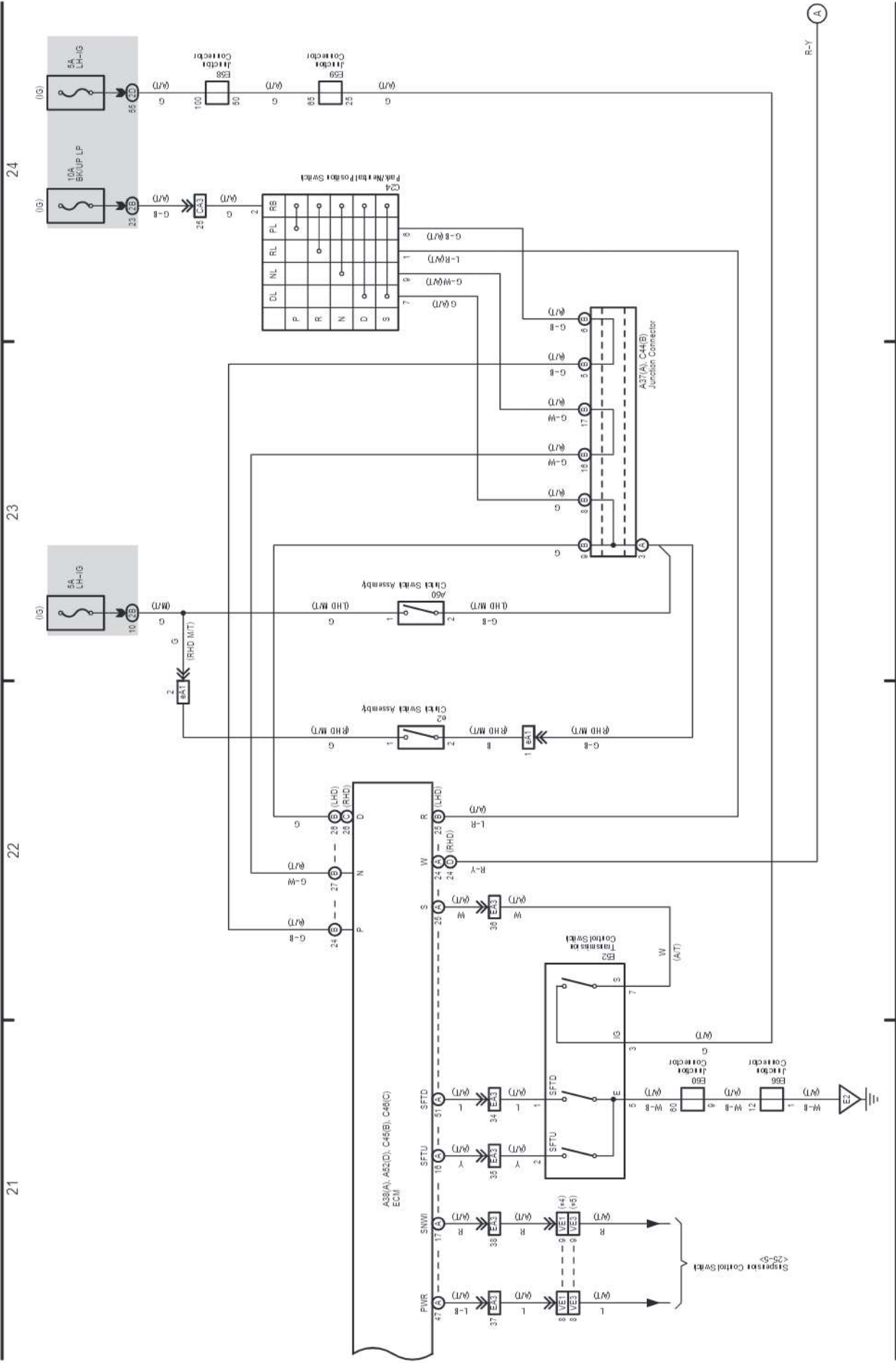
\*6: Luggage Type  
\*7: Swing Type



LAND CRUISER Station Wagon (EM22W1E)

ECT and A/T Indicator (1GR-FE) (Before Jan. 2012 Production)

\*4: Before Jul. 2009 Production  
\*5: From Jul. 2009 Production



LAND CRUISER Station Wagon (EM22W1E)

cardiagn.com

# M OVERALL ELECTRICAL WIRING DIAGRAM

## 15 LAND CRUISER Station Wagon (Cont' d)

### ECT and A/T Indicator (1GR-FE) (Before Jan. 2012 Production)

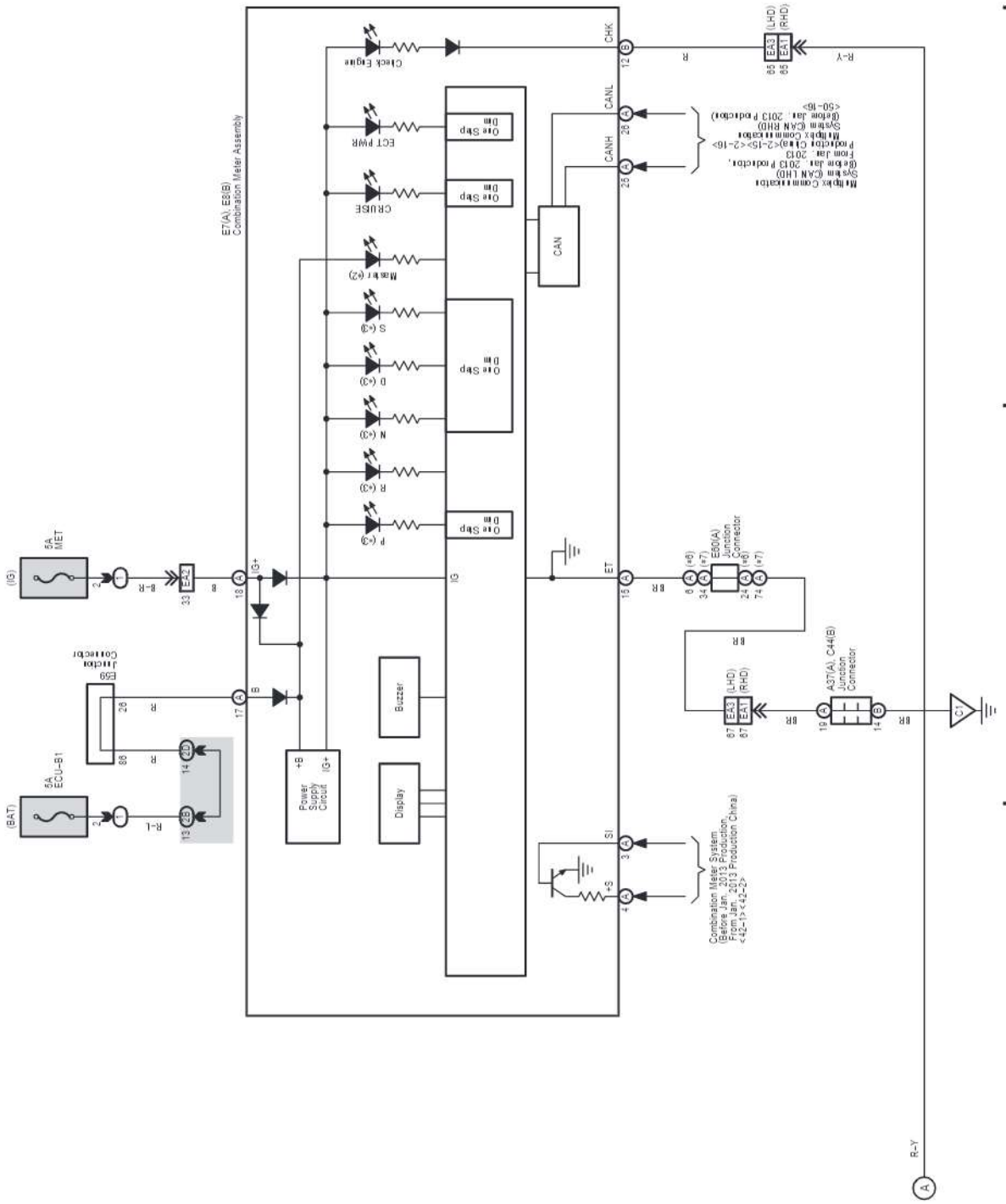
- \* 2 : Option Meter
- \* 3 : Except Option Meter
- \* 6 : Liftgate Type
- \* 7 : Swing Type

28

27

26

25



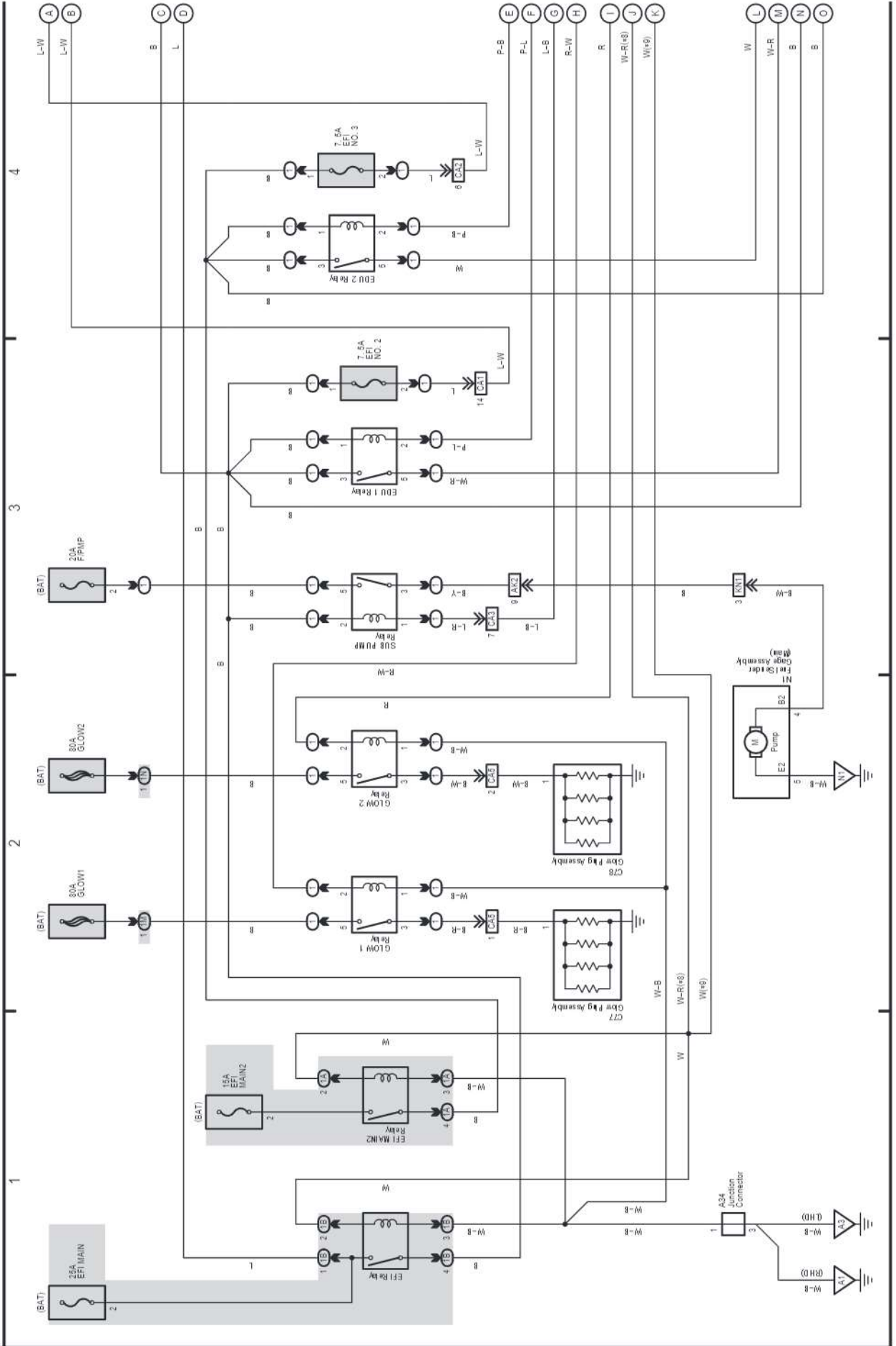
# M OVERALL ELECTRICAL WIRING DIAGRAM

16 LAND CRUISER Station Wagon

(Cont. next page)

Engine Control (1VD-FTV w/o DPF)  
(Before Jan. 2013 Production)

# 8 : Before Jan. 2012 Production (Litgate Type)  
# 9 : From Jan. 2012 Production (Litgate Type, Swing Type)



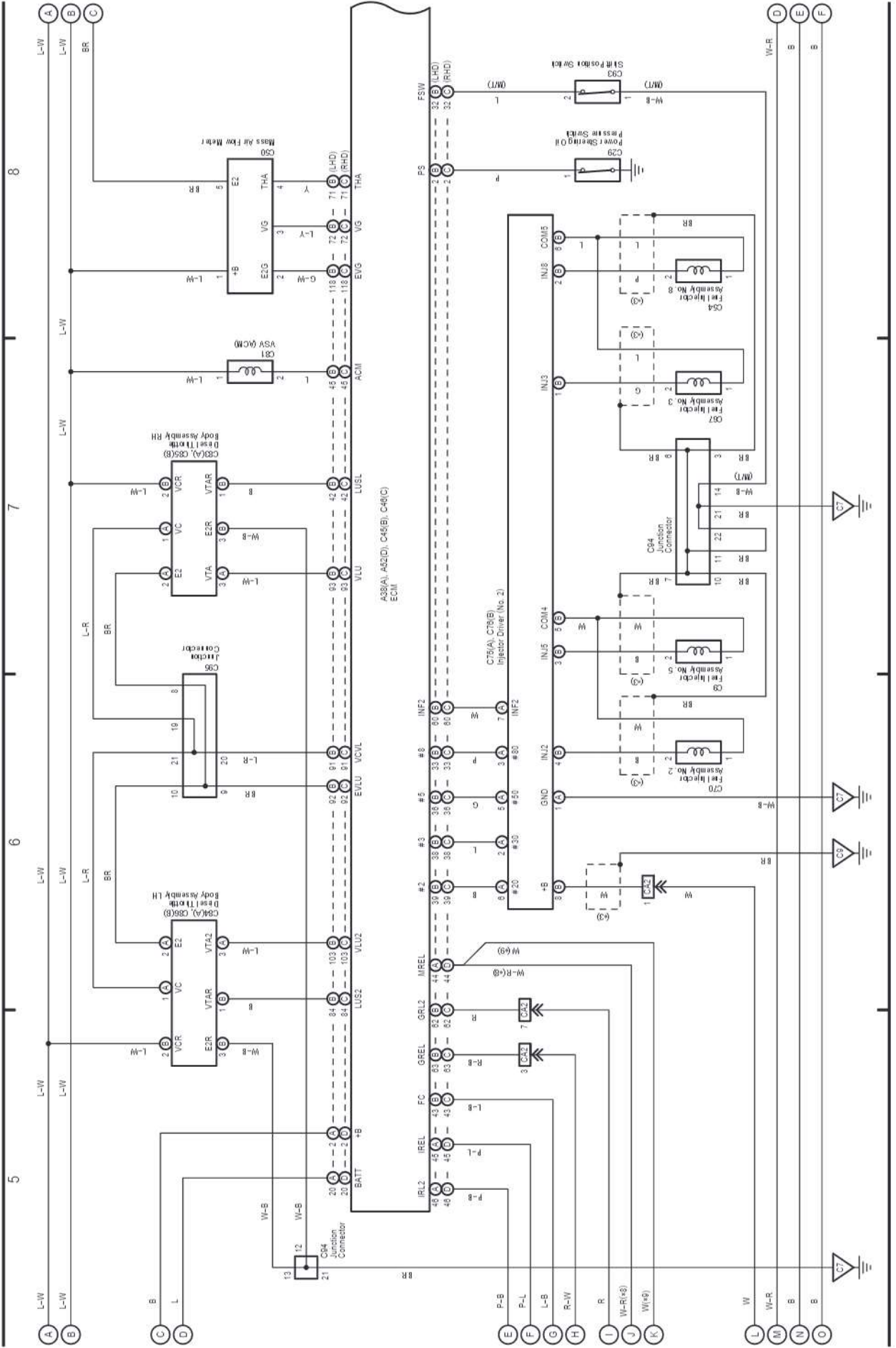


16 LAND CRUISER Station Wagon (Cont' d)

(Cont. next page)

Engine Control (1VD-FTV w/o DPF)  
(Before Jan. 2013 Production)

\* 3 - Shielded  
# 8 - Before Jan. 2013 Production, Librate Type  
# 9 - From Jan. 2013 Production, Libgate Type, Sailing Type

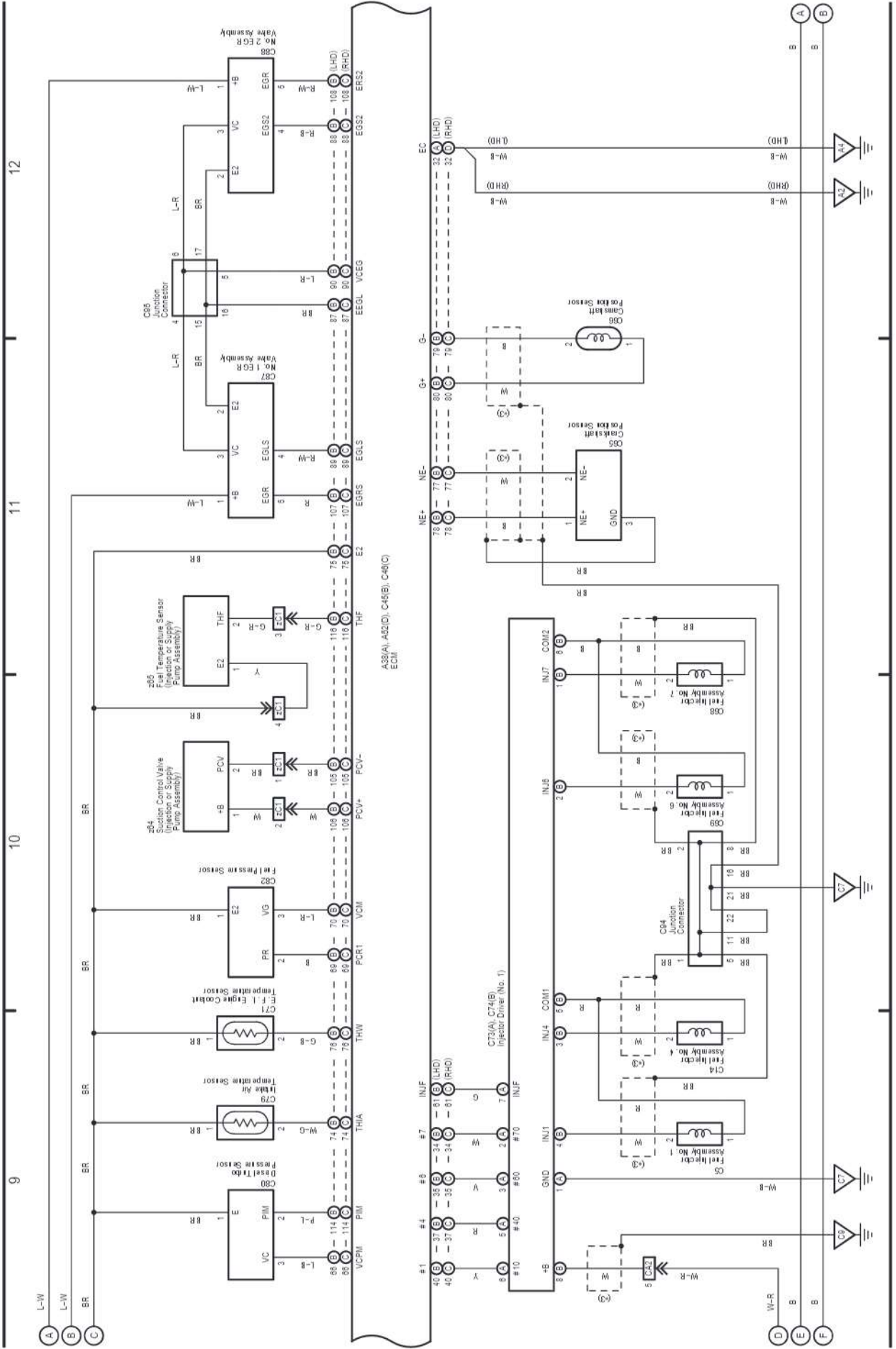


LAND CRUISER Station Wagon (EM22W1E)



Engine Control (1VD-FTV w/o DPF)  
(Before Jan. 2013 Production)

\* 3: Shielded

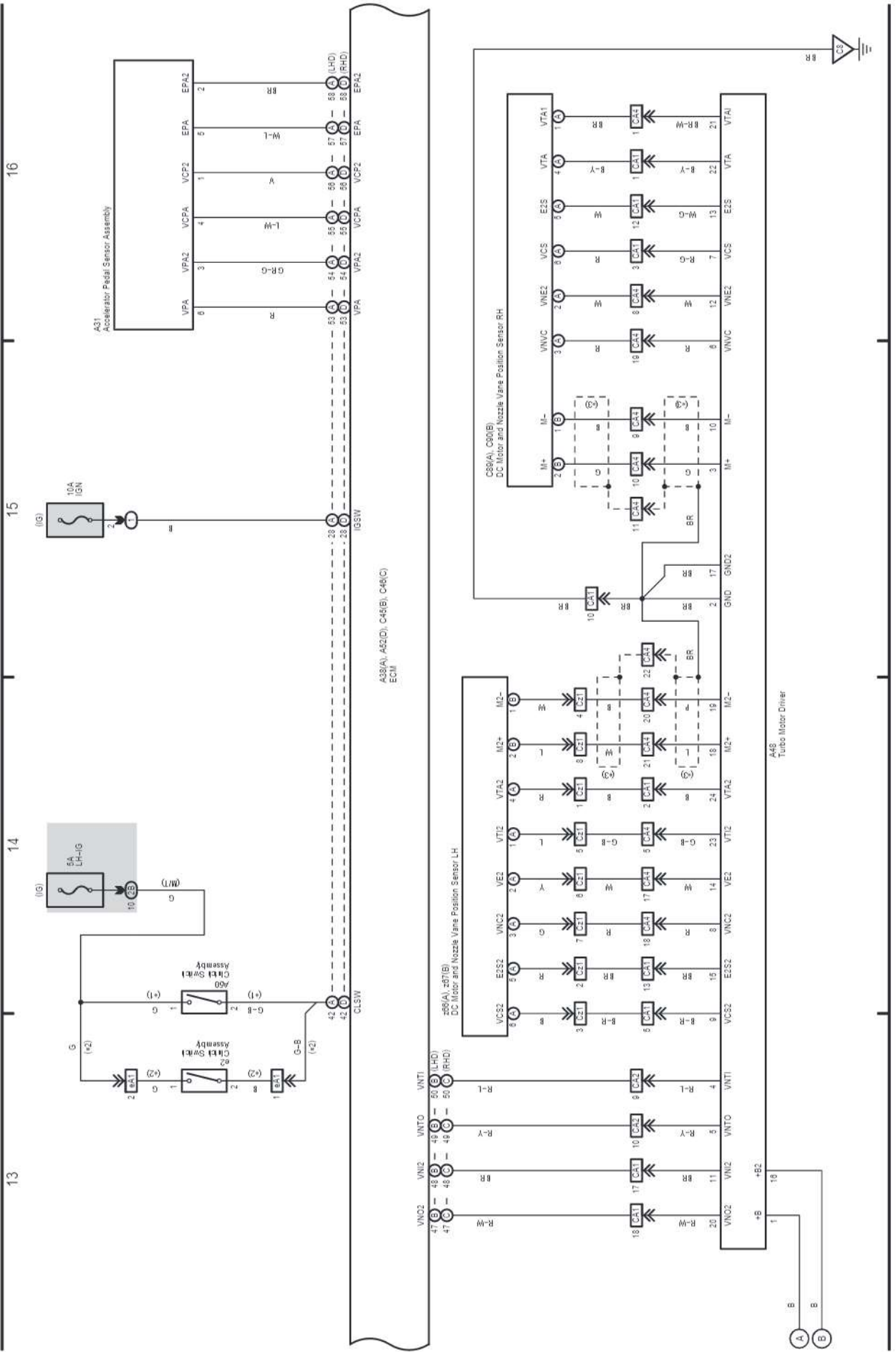


16 LAND CRUISER Station Wagon (Cont' d)

(Cont. next page)

Engine Control (1VD-FTV w/o DPF)  
(Before Jan. 2013 Production)

- \*1: LHD/MT
- \*2: RHD/MT
- \*3: Shaded



LAND CRUISER Station Wagon (EM22W1E)

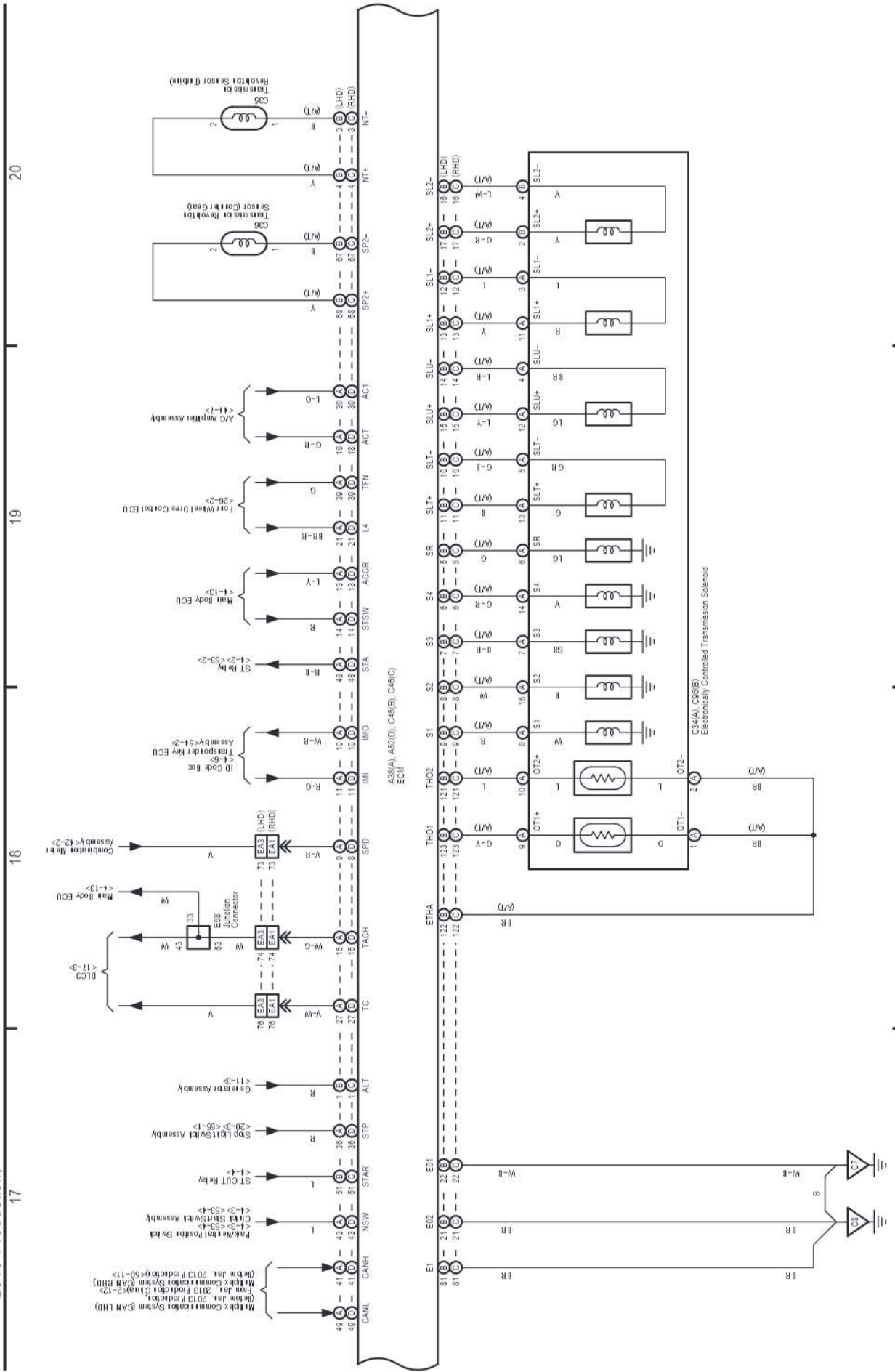
# M OVERALL ELECTRICAL WIRING DIAGRAM

(Cont. next page)

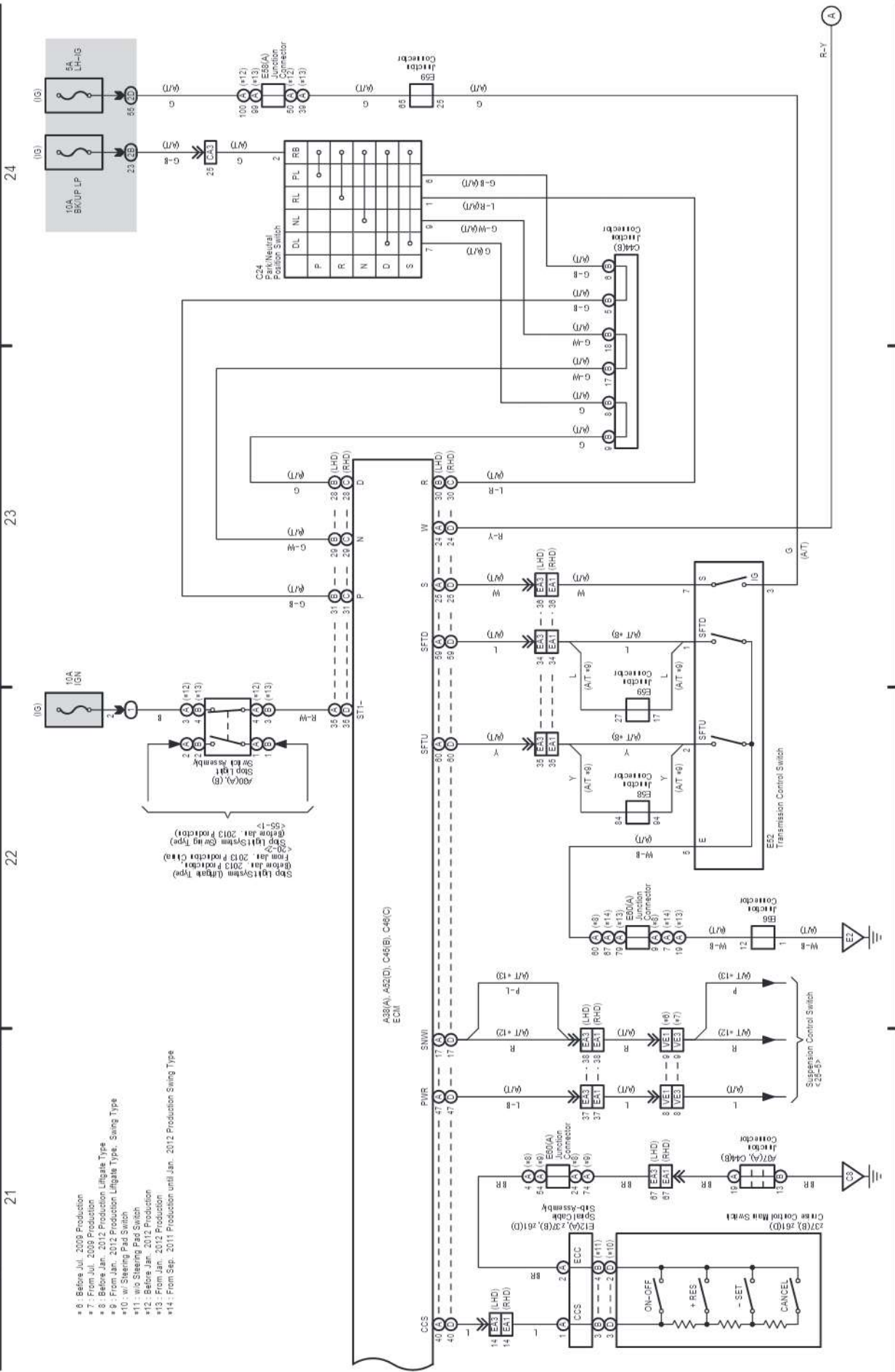
16 LAND CRUISER Station Wagon (Cont' d)

Engine Control (1VD-FTV w/o DPF) (Before Jan. 2013 Production)

Cruise Control (1VD-FTV w/o DPF) (Before Jan. 2013 Production)



Cruise Control (1VD-FTV w/o DPF) (Before Jan. 2013 Production)



21 22 23 24

- \* 8 - Before Jul. 2009 Production
- \* 7 - From Jul. 2009 Production
- \* 8 - Before Jan. 2012 Production
- \* 9 - From Jan. 2012 Production
- \* 10 - w/ Steering Pad Switch
- \* 11 - w/o Steering Pad Switch
- \* 12 - Before Jan. 2012 Production
- \* 13 - From Jan. 2012 Production
- \* 14 - From Sep. 2011 Production until Jan. 2012 Production

# M OVERALL ELECTRICAL WIRING DIAGRAM

## 16 LAND CRUISER Station Wagon (Cont' d)

ECT and A/T Indicator (1VD-FTV w/o DPF)  
(Before Jan. 2013 Production)

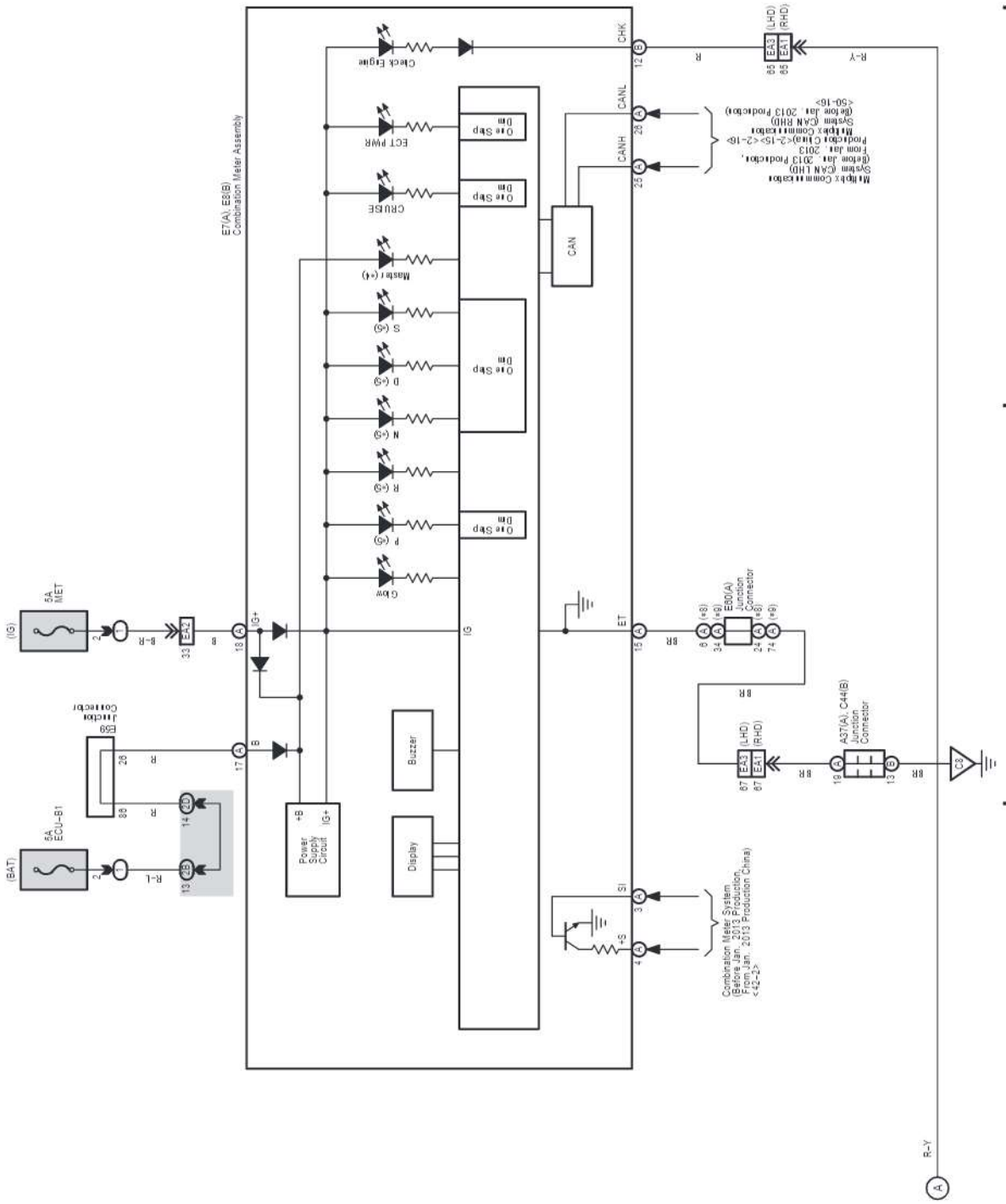
# 4 : Option Meter  
# 5 : Except Option Meter  
# 8 : Before Jan. 2012 Production (Litgate Type)  
# 9 : From Jan. 2012 Production (Litgate Type, Swing Type)

27

26

25

28





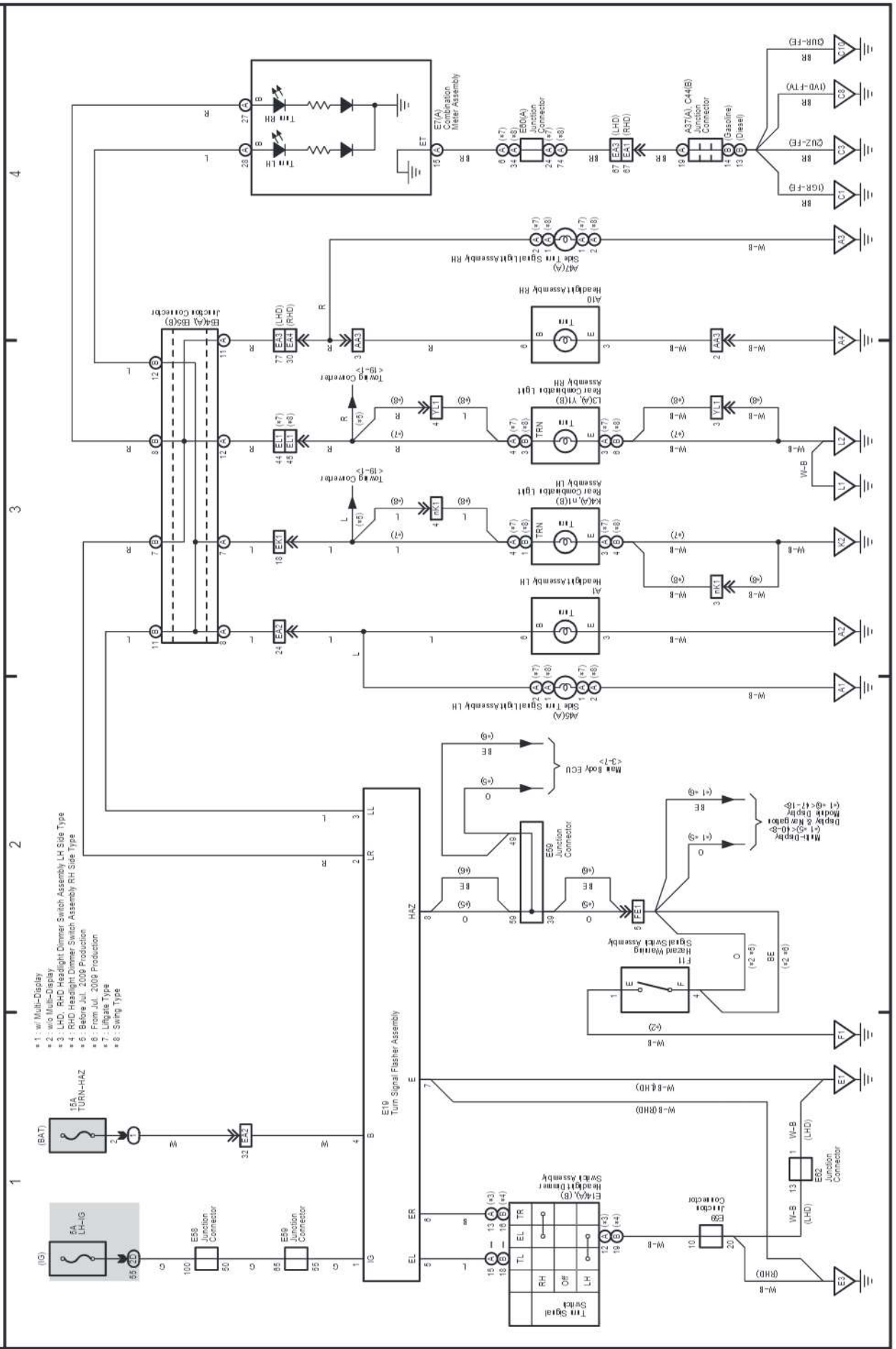




18 LAND CRUISER Station Wagon

M OVERALL ELECTRICAL WIRING DIAGRAM

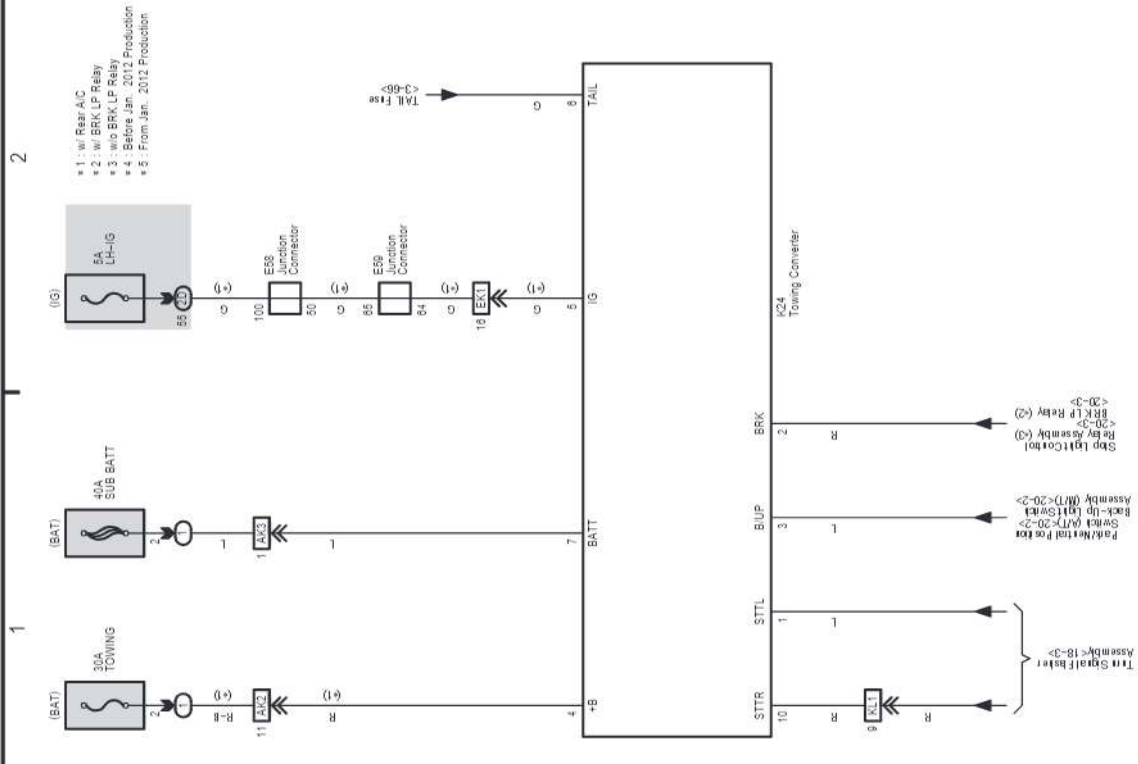
Turn Signal and Hazard Warning Light (Before Jan., 2012 Production)



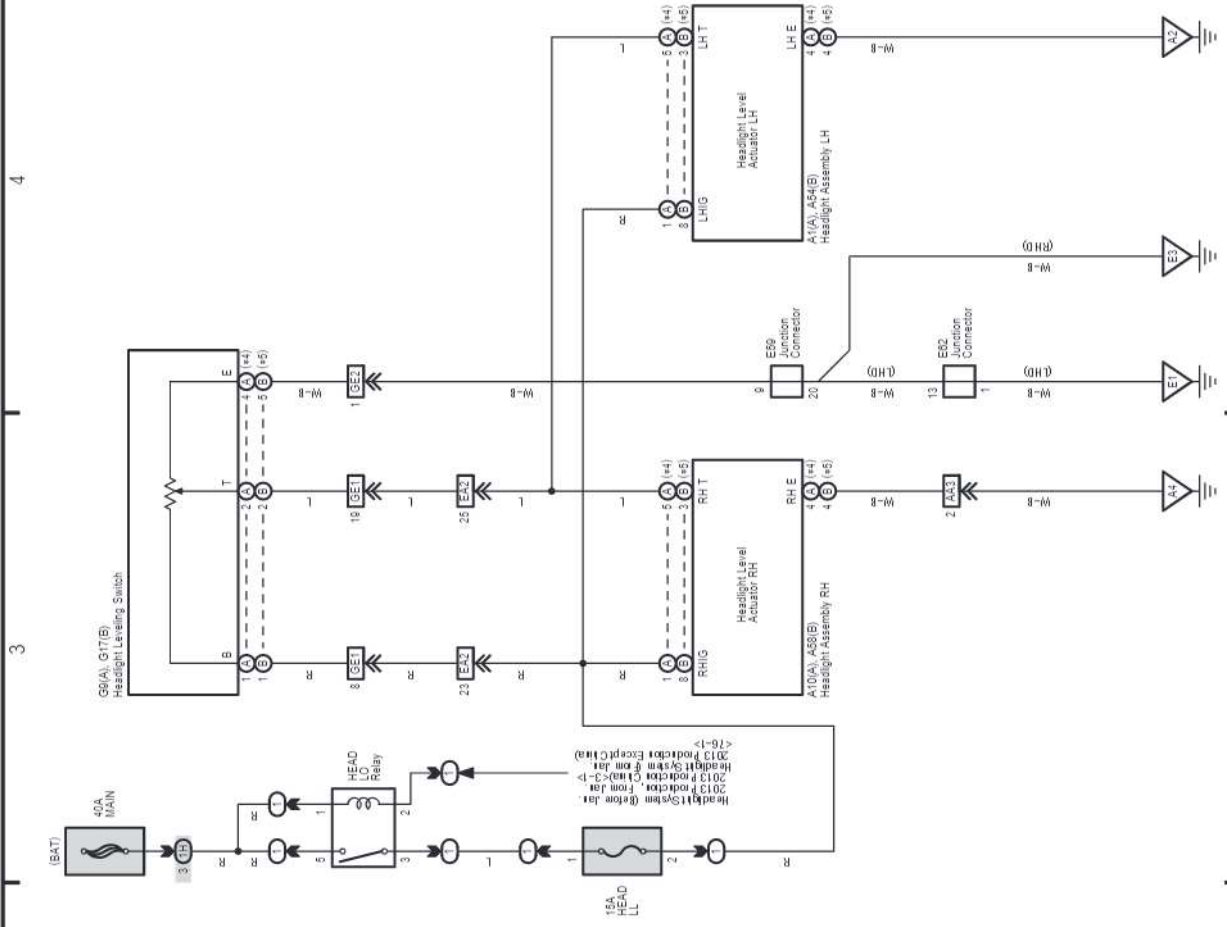
LAND CRUISER Station Wagon (EM22W1E)

19 LAND CRUISER Station Wagon

Trailer Towing (Before Jul. 2009 Production)



Headlight Beam Level Control (Manual)





# M OVERALL ELECTRICAL WIRING DIAGRAM

## SRS

4

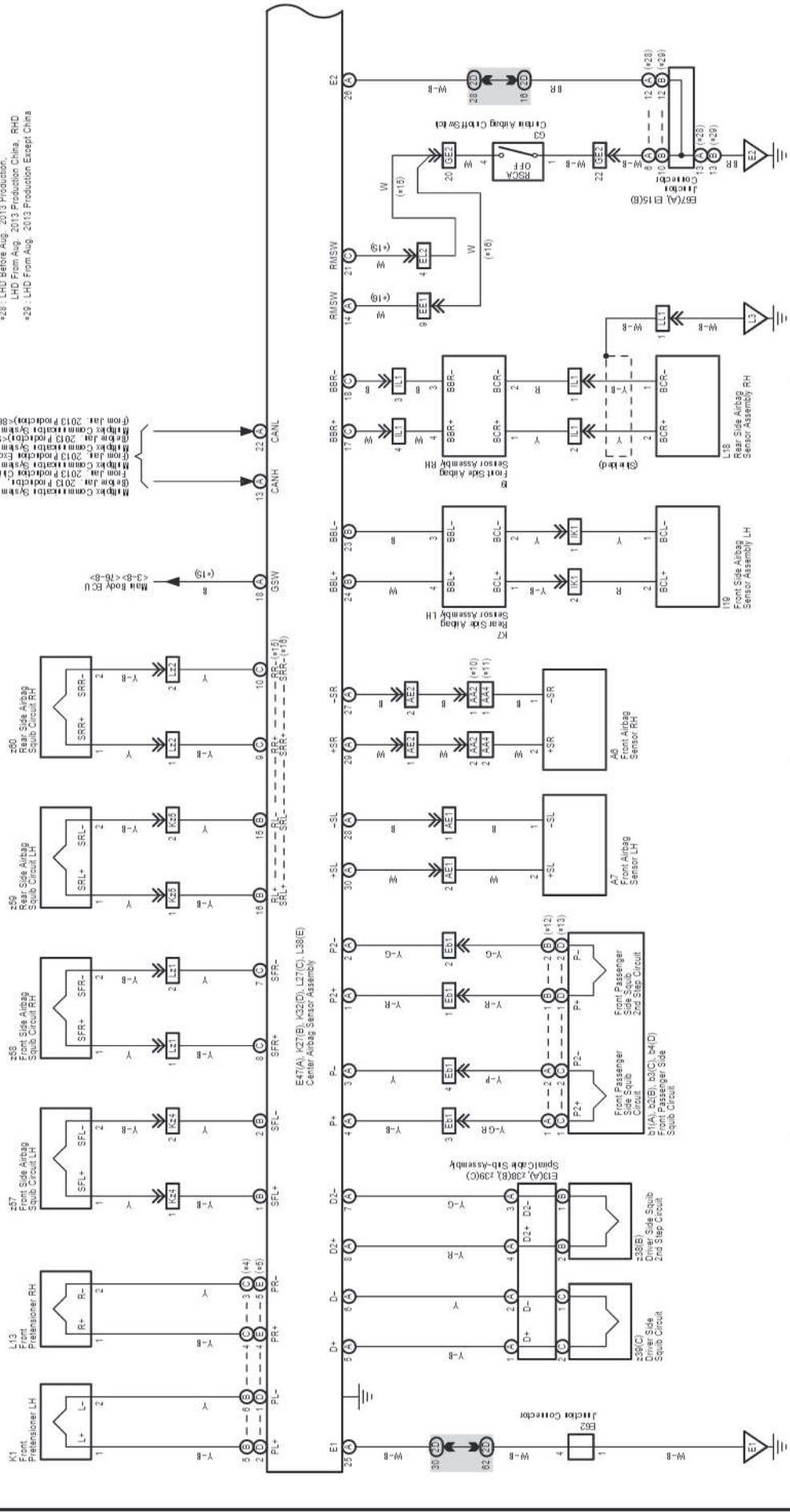
3

2

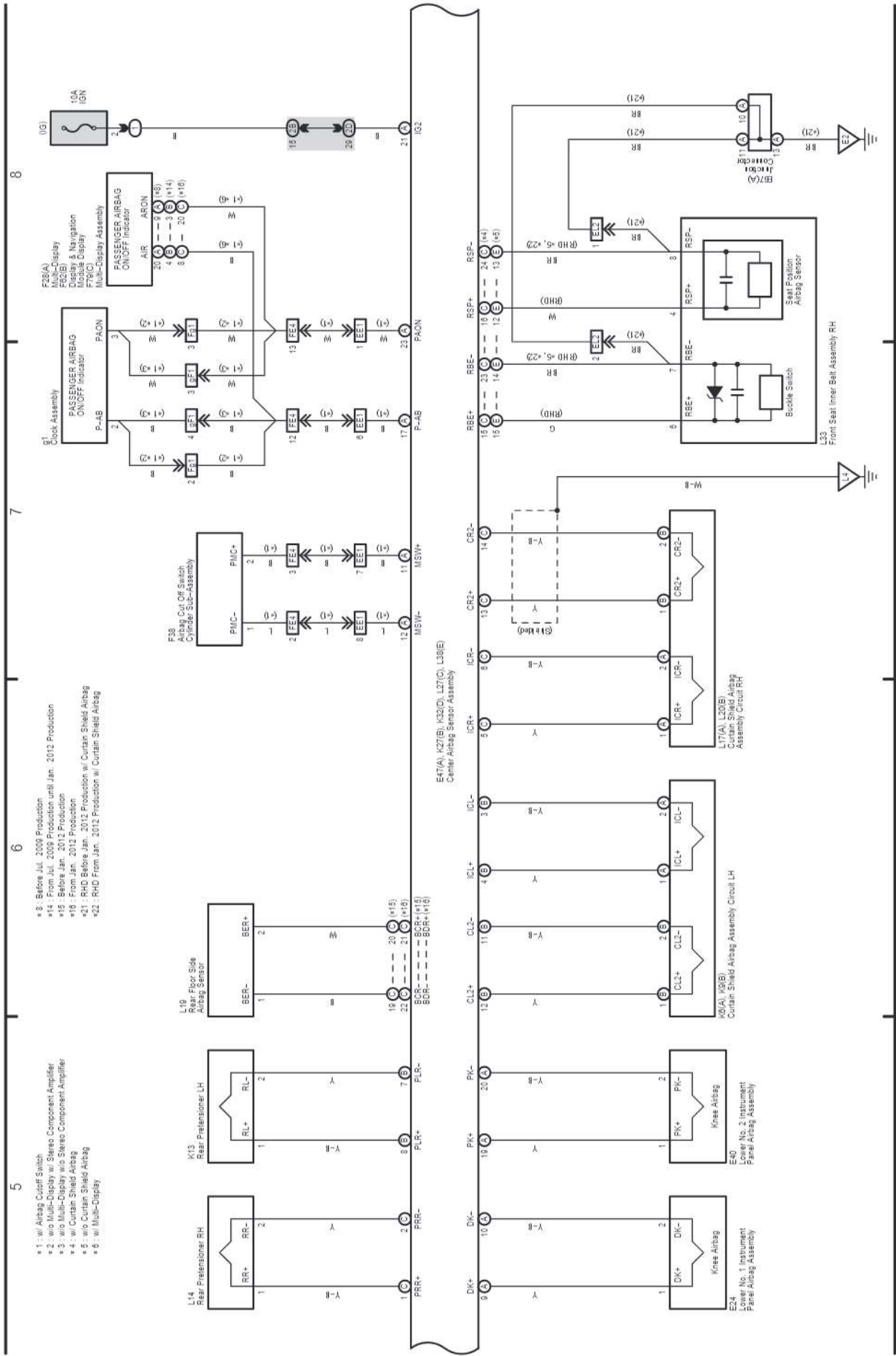
1

- \* 4 - w/ Curtain Shield Airbag
- \* 5 - w/o Curtain Shield Airbag
- \*10 - Liftgate Type
- \*11 - Swing Type
- \*12 - Before Sep. 2011 Production
- \*13 - From Sep. 2011 Production
- \*15 - Before Jan. 2012 Production
- \*16 - From Jan. 2012 Production
- \*28 - LHD From Aug. 2013 Production, RHD LHD From Aug. 2013 Production, RHD LHD From Aug. 2013 Production Except China
- \*29 - LHD From Aug. 2013 Production Except China

Maplex Comma Connector System (CAN LHD)  
 (From Jan. 2013 Production)  
 Maplex Comma Connector System (CAN RHD)  
 (From Jan. 2013 Production)  
 Maplex Comma Connector System (CAN LHD)  
 (From Jan. 2013 Production)  
 Maplex Comma Connector System (CAN RHD)  
 (From Jan. 2013 Production)  
 Maplex Comma Connector System (CAN LHD)  
 (From Jan. 2013 Production)  
 Maplex Comma Connector System (CAN RHD)  
 (From Jan. 2013 Production)  
 Maplex Comma Connector System (CAN LHD)  
 (From Jan. 2013 Production)  
 Maplex Comma Connector System (CAN RHD)  
 (From Jan. 2013 Production)  
 Maplex Comma Connector System (CAN LHD)  
 (From Jan. 2013 Production)  
 Maplex Comma Connector System (CAN RHD)  
 (From Jan. 2013 Production)



SRS



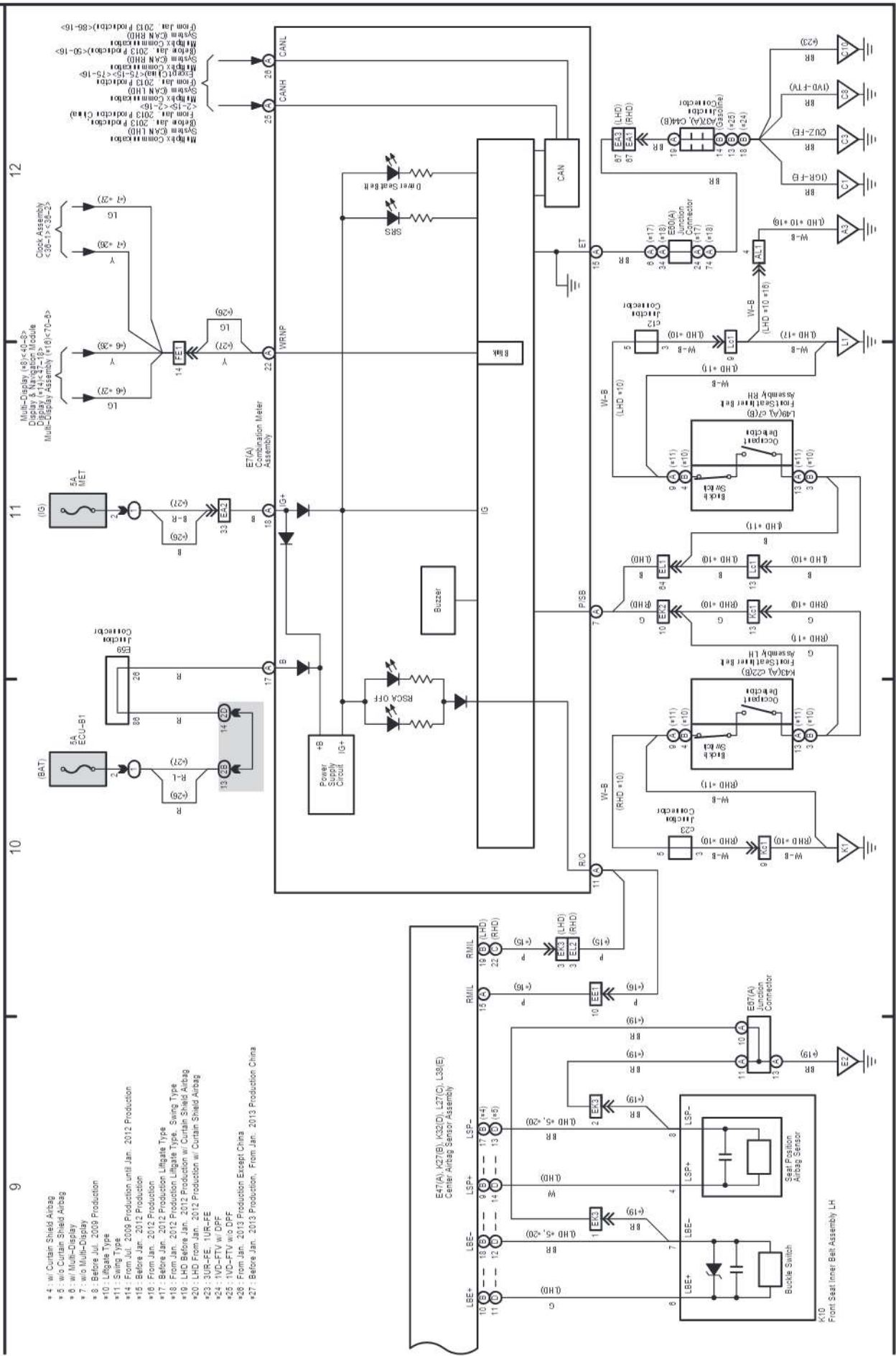


# M OVERALL ELECTRICAL WIRING DIAGRAM

## 21 LAND CRUISER Station Wagon (Cont' d)

### SRS

### Seat Belt Warning (w/ SRS)



- \* 4 : w/ Curtain Shield Airbag
- \* 5 : w/o Curtain Shield Airbag
- \* 6 : w/ Multi-Display
- \* 7 : w/o Multi-Display
- \* 8 : Before Jul. 2009 Production
- \* 10 : Luggage Type
- \* 11 : Swing Type
- \* 14 : From Jul. 2009 Production until Jan. 2012 Production
- \* 15 : Before Jan. 2012 Production
- \* 16 : From Jan. 2012 Production
- \* 17 : Before Jan. 2012 Production Luggage Type
- \* 18 : From Jan. 2012 Production Luggage Type, Swing Type
- \* 19 : LHD Before Jan. 2012 Production w/ Curtain Shield Airbag
- \* 20 : LHD From Jan. 2012 Production w/ Curtain Shield Airbag
- \* 23 : 30R-FEL, 10R-FE
- \* 24 : 10D-F1V w/ DFF
- \* 25 : From Jan. 2013 Production Except China
- \* 26 : From Jan. 2013 Production, From Jan. 2013 Production China
- \* 27 : Before Jan. 2013 Production, From Jan. 2013 Production China

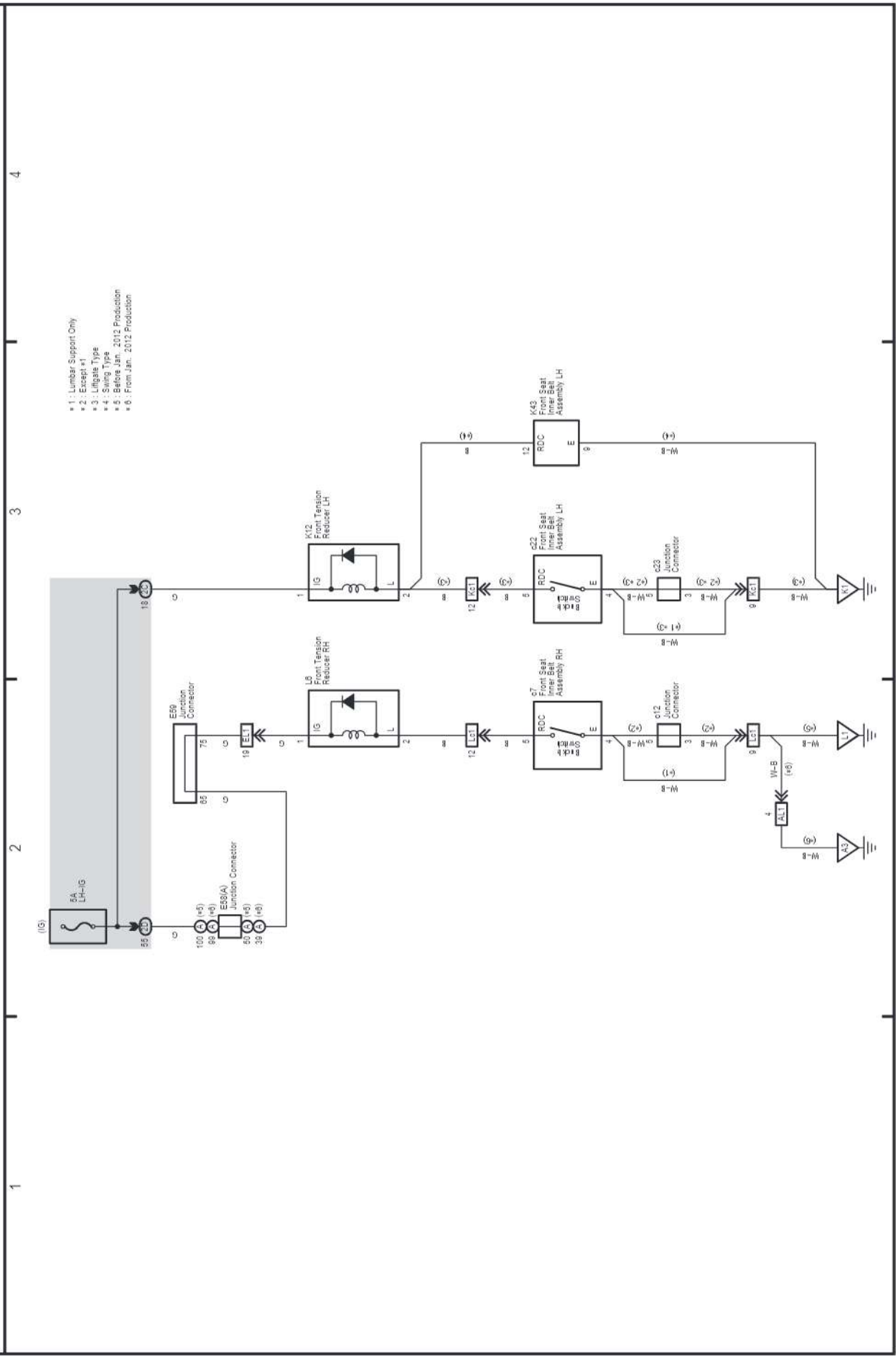




# M OVERALL ELECTRICAL WIRING DIAGRAM

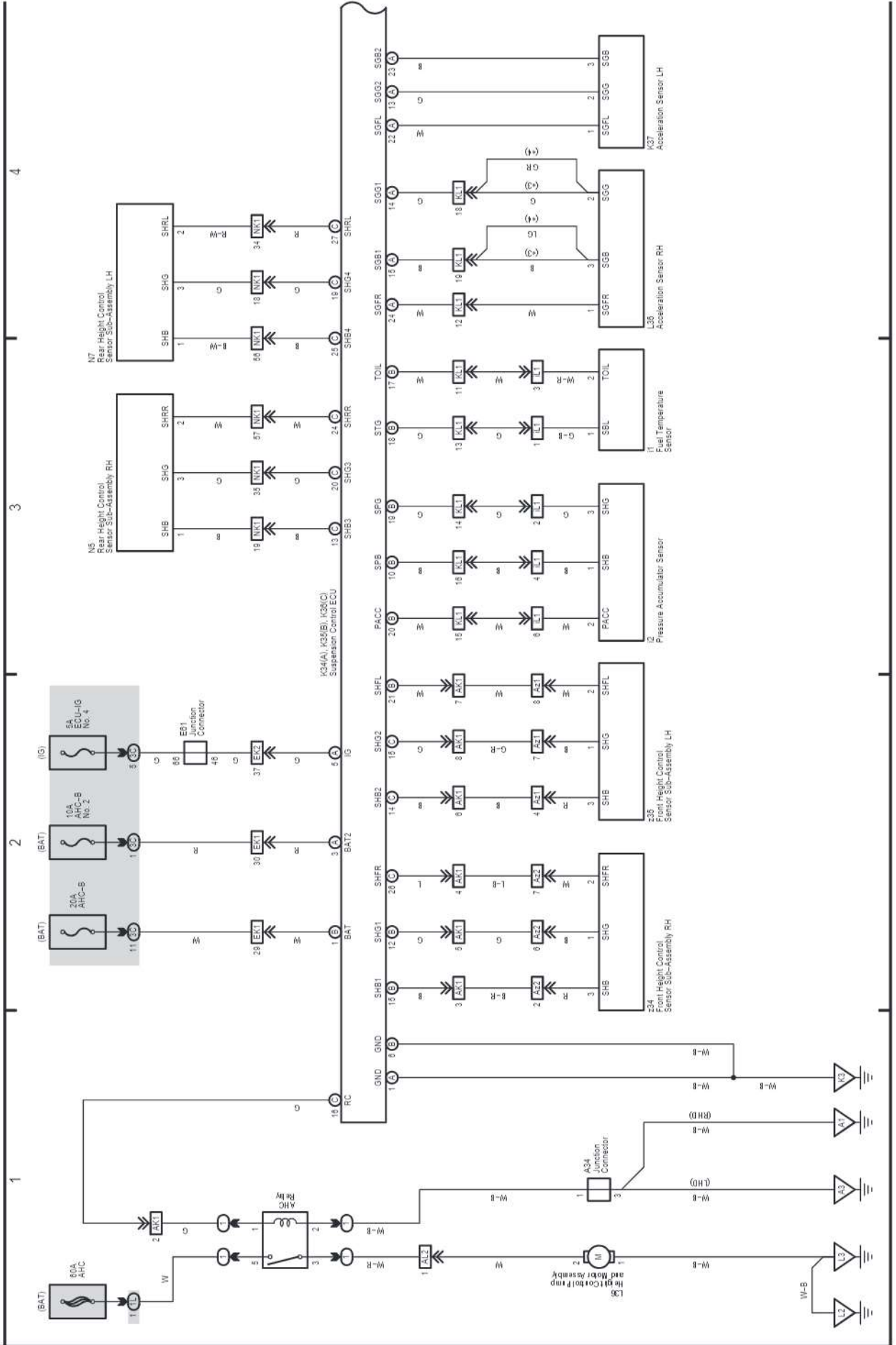
23 LAND CRUISER Station Wagon

## Electric Tension Reducer

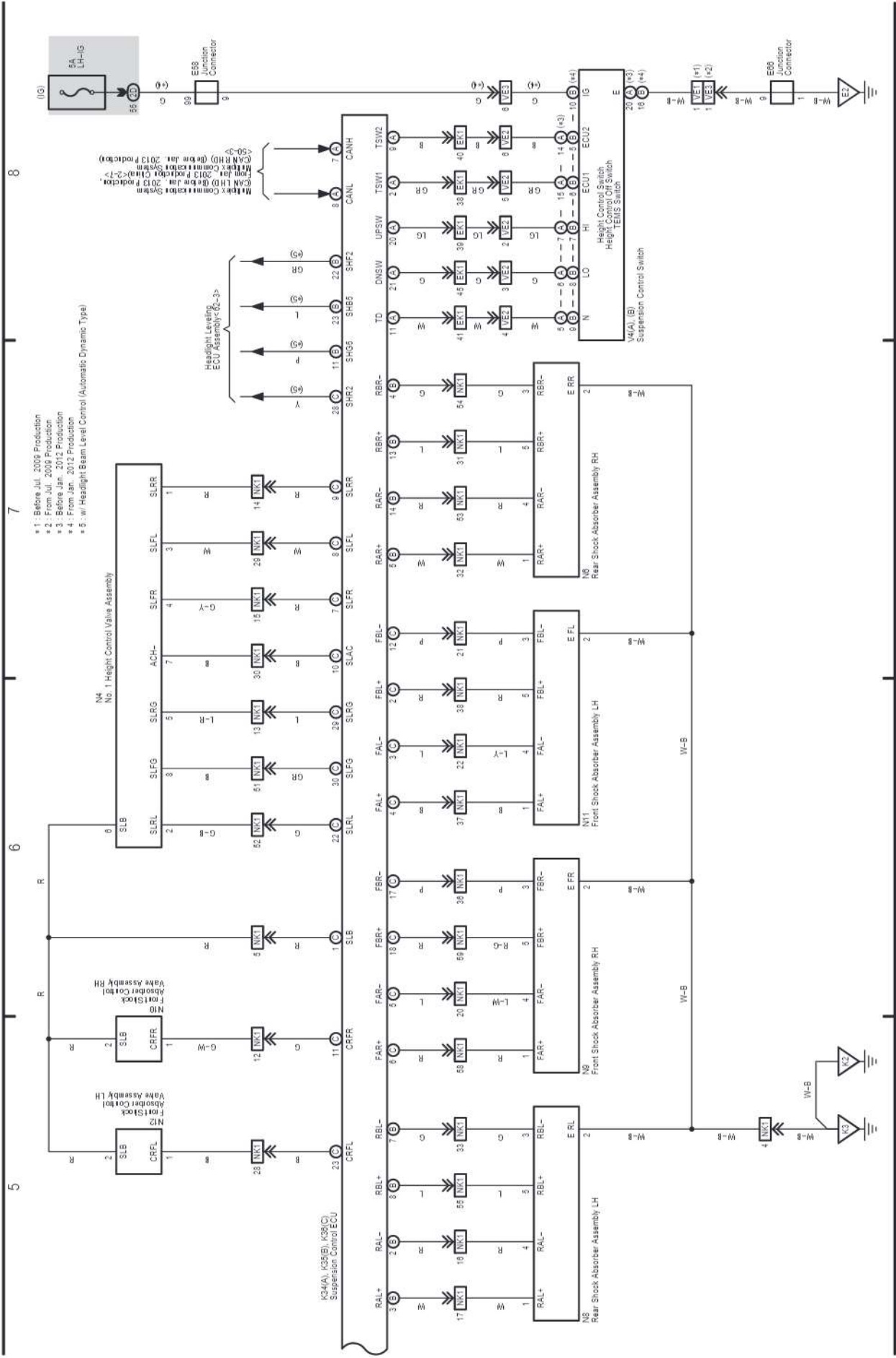


Active Height Control Suspension and Adaptive Variable Suspension  
(Before Jan. 2013 Production)

\* 3 : Before Jan. 2012 Production  
\* 4 : From Jan. 2012 Production



Active Height Control Suspension and Adaptive Variable Suspension  
(Before Jan. 2013 Production)



# M OVERALL ELECTRICAL WIRING DIAGRAM

## 24 LAND CRUISER Station Wagon (Cont' d)

- \* 3 : Before Jan. 2012 Production
- \* 4 : From Jan. 2012 Production
- \* 5 : 1VD-FTV w/ DFF
- \* 8 : 1VD-FTV w/o DFF

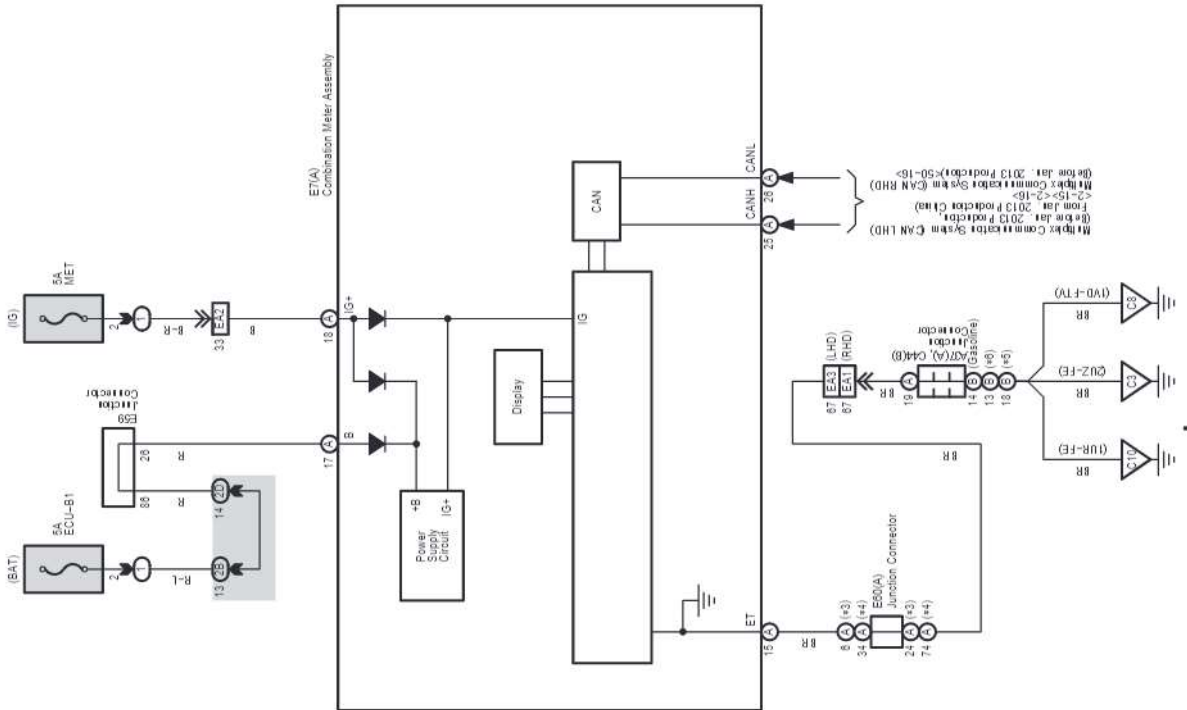
### Active Height Control Suspension and Adaptive Variable Suspension (Before Jan. 2013 Production)

12

11

10

9



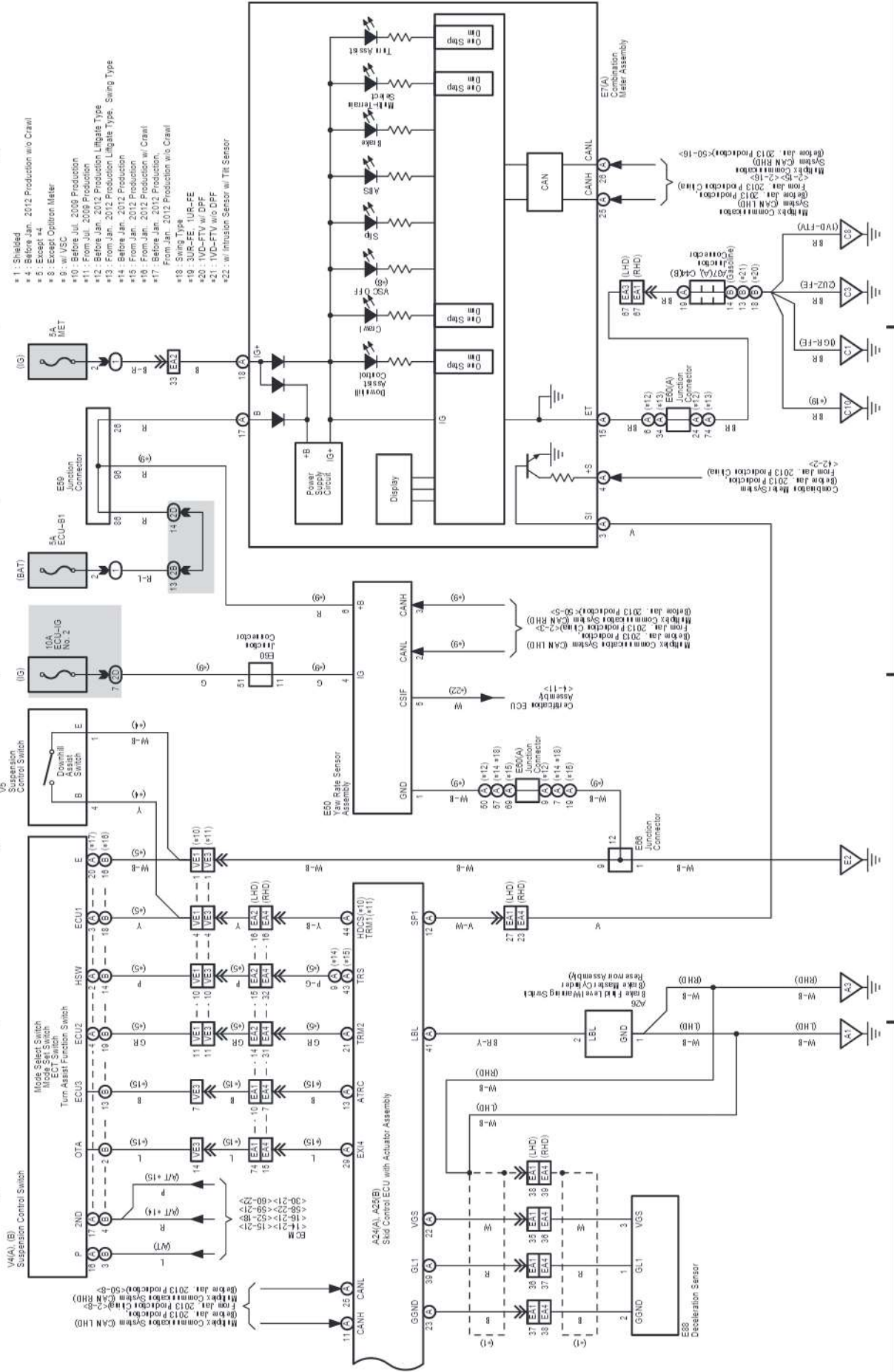






25 LAND CRUISER Station Wagon (Cont' d)

ABS, A-TRC, Brake Assist, Crawl, Downhill Assist Control, EBD, Hill-Start Assist Control, Multi-Terrain Select and VSC (Before Jan. 2013 Production, From Jan. 2013 Production, China)

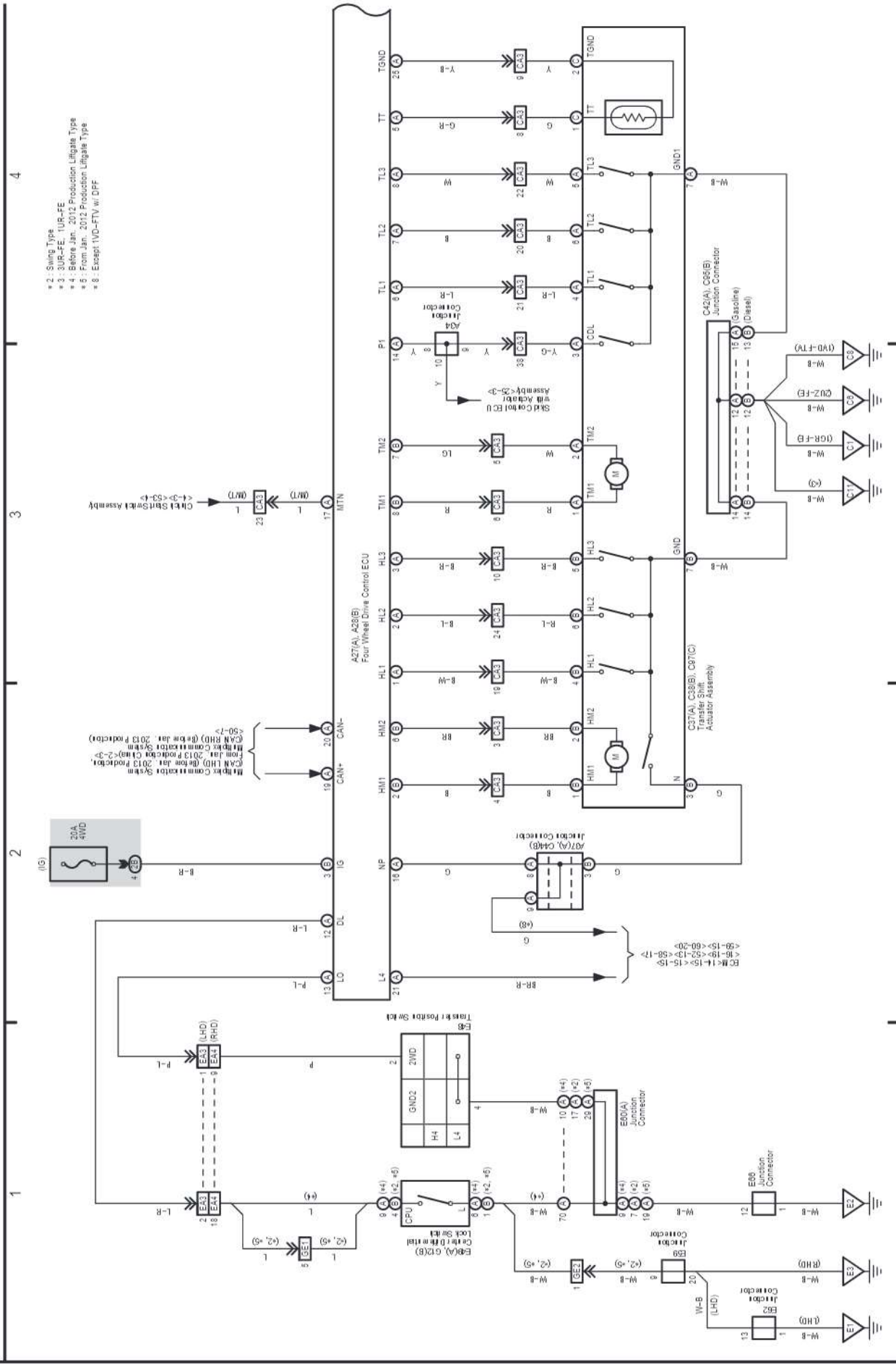


# M OVERALL ELECTRICAL WIRING DIAGRAM

(Cont. next page)

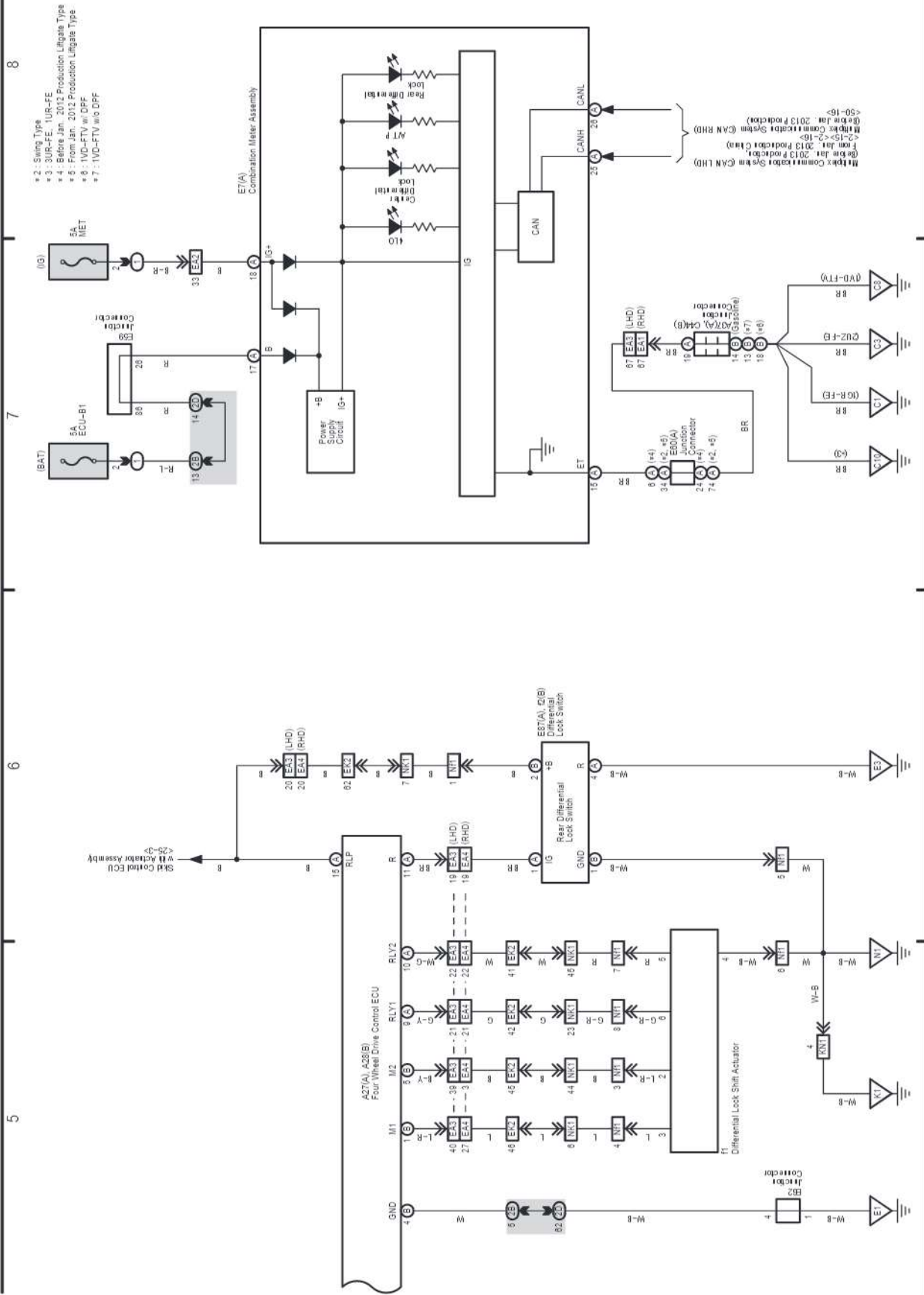
26 LAND CRUISER Station Wagon

Multi Mode 4WD (Before Jan. 2013 Production, From Jan. 2013 Production China)



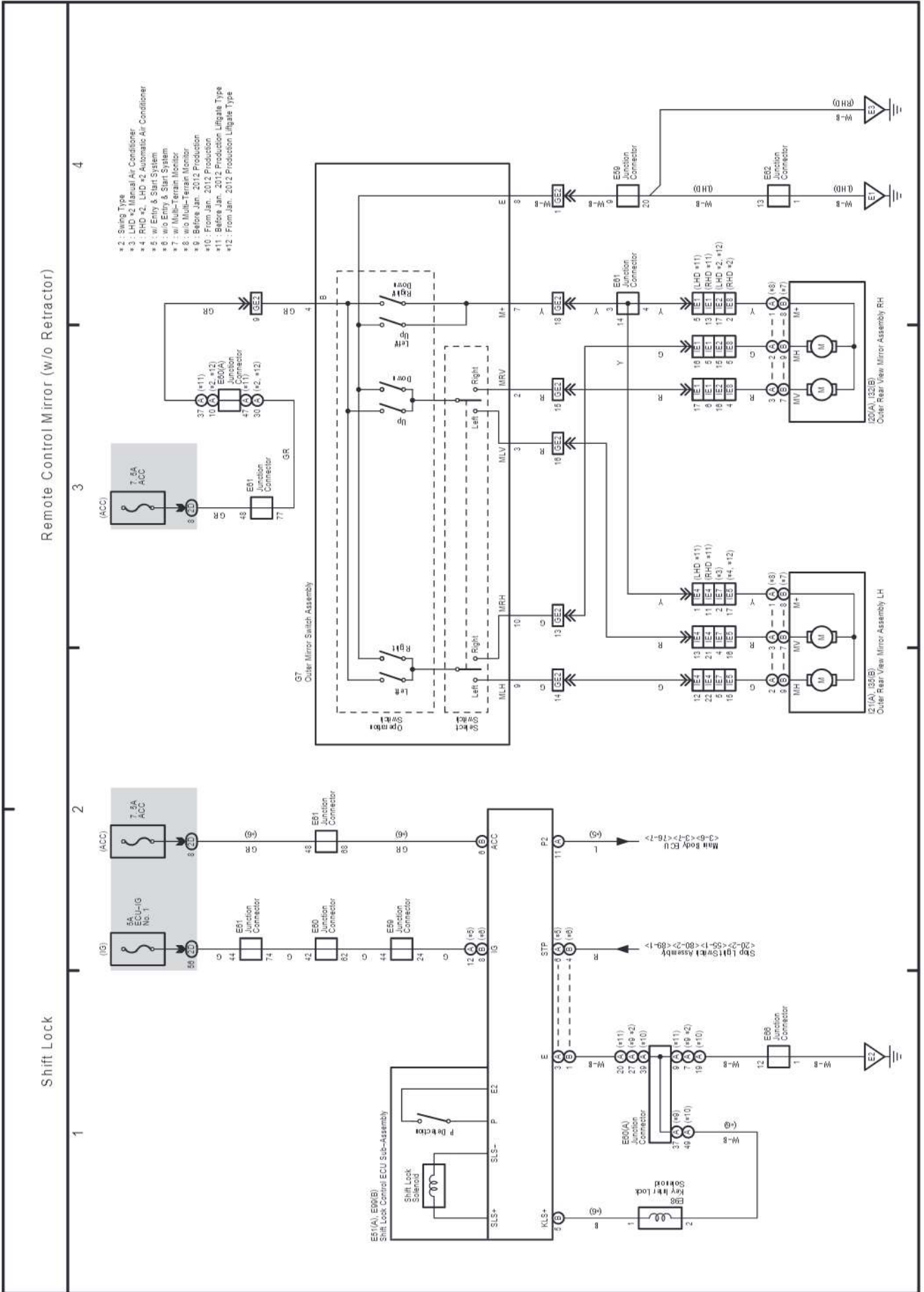
LAND CRUISER Station Wagon (EM22W1E)

Multi Mode 4WD (Before Jan. 2013 Production, From Jan. 2013 Production China)



# M OVERALL ELECTRICAL WIRING DIAGRAM

## 27 LAND CRUISER Station Wagon

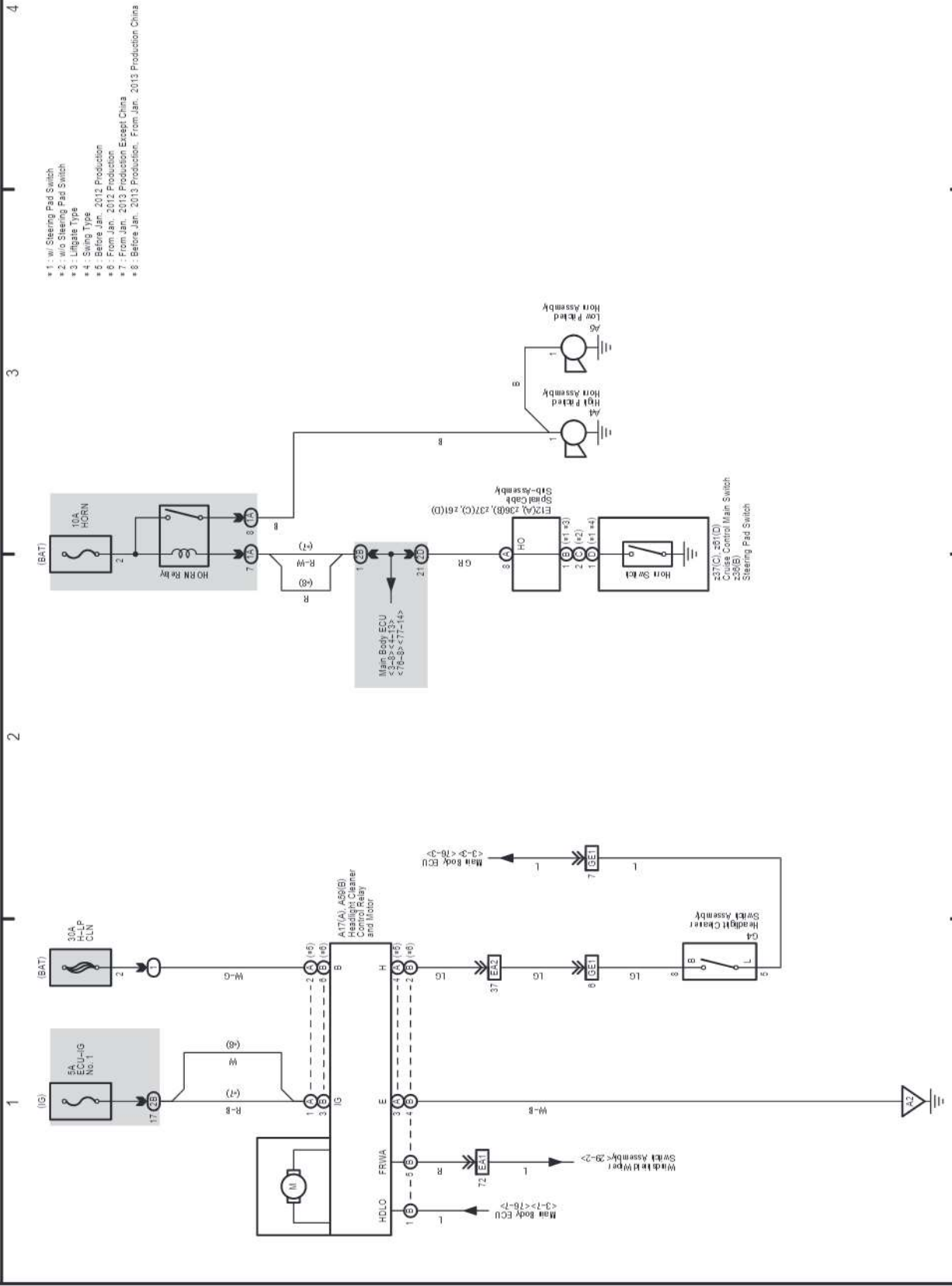


LAND CRUISER Station Wagon (EM22W1E)

28 LAND CRUISER Station Wagon

Headlight Cleaner

Horn



LAND CRUISER Station Wagon (EM22W1E)







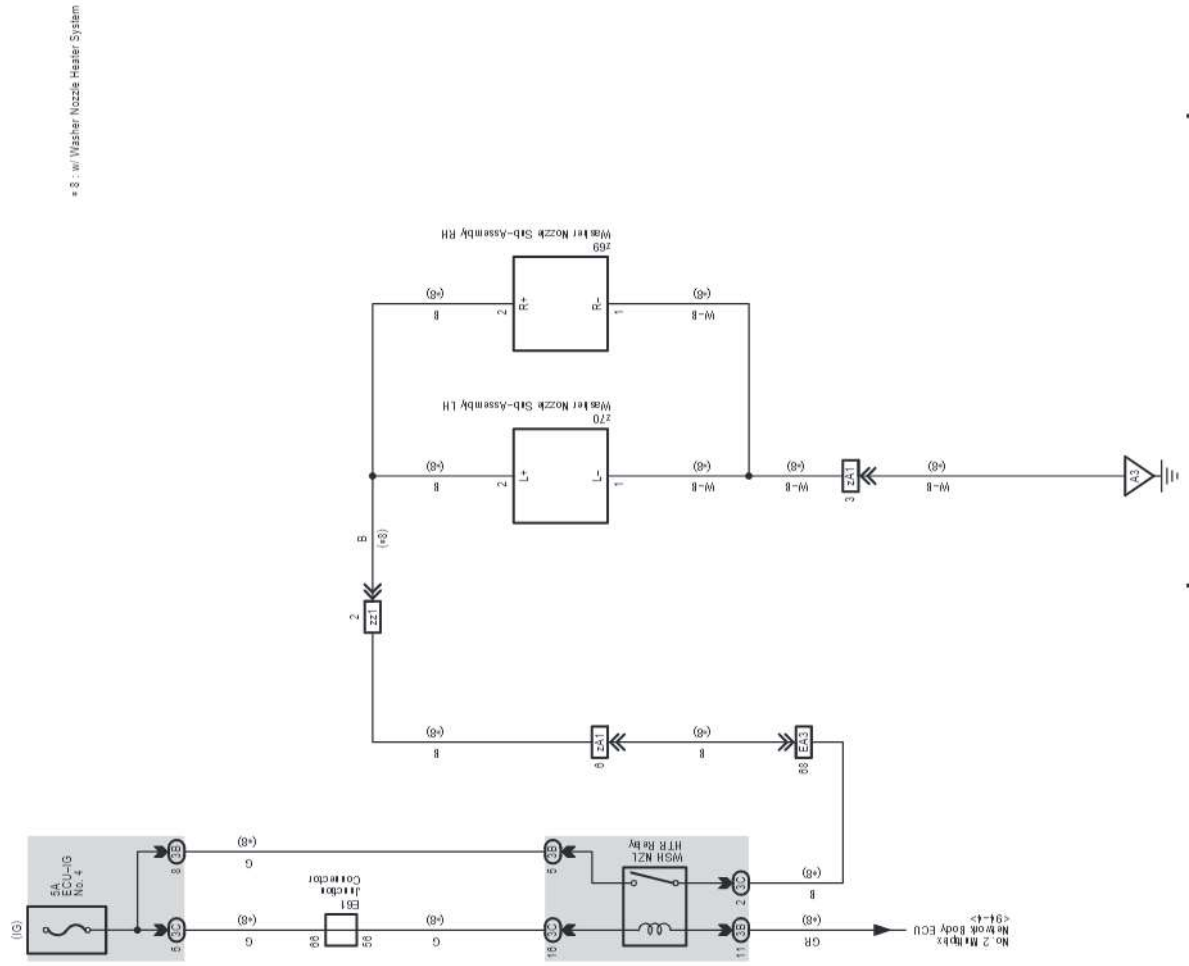
Front Wiper and Washer (w/ Auto Wiper System)

8

7

6

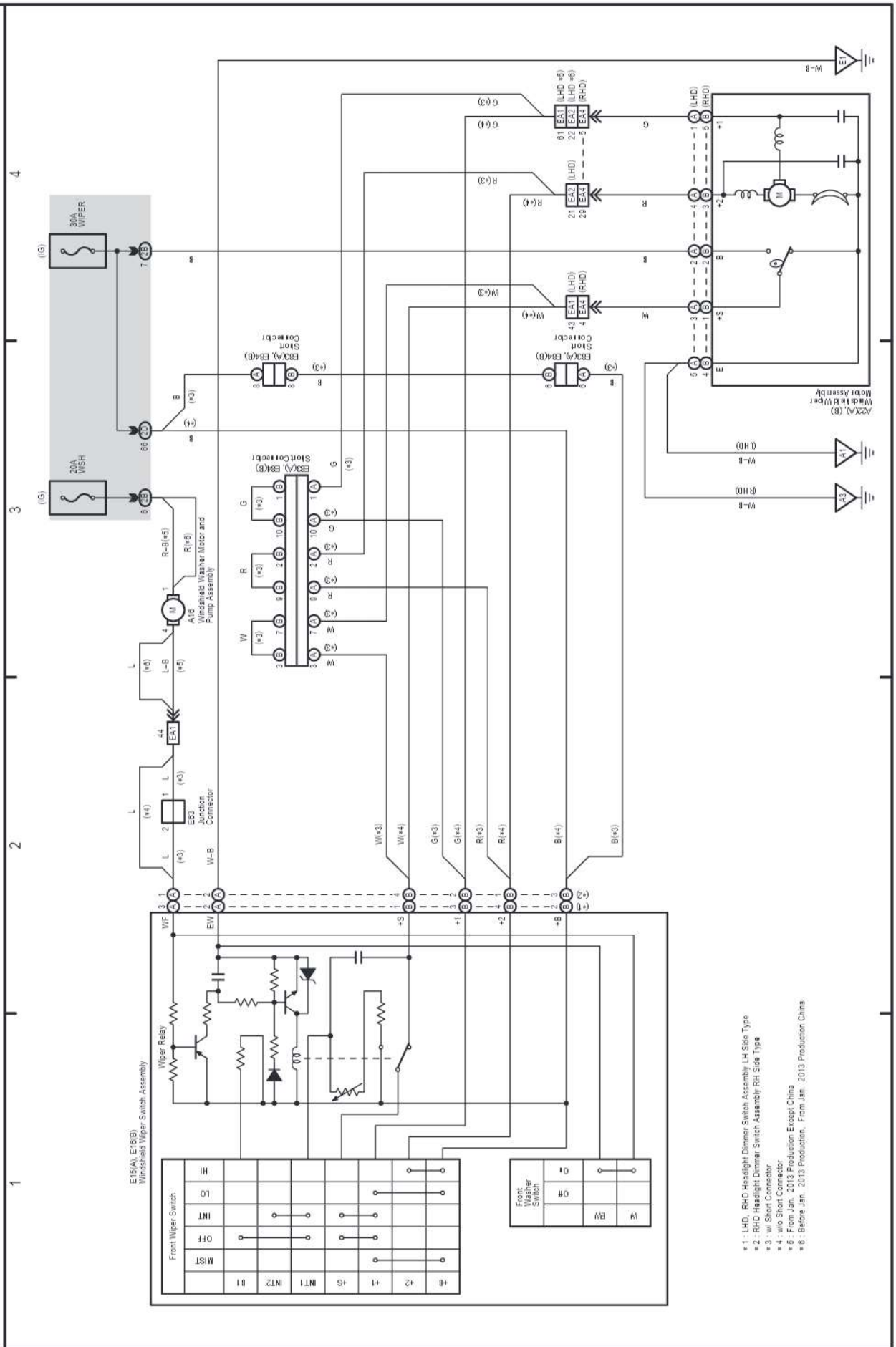
5



# M OVERALL ELECTRICAL WIRING DIAGRAM

## 30 LAND CRUISER Station Wagon

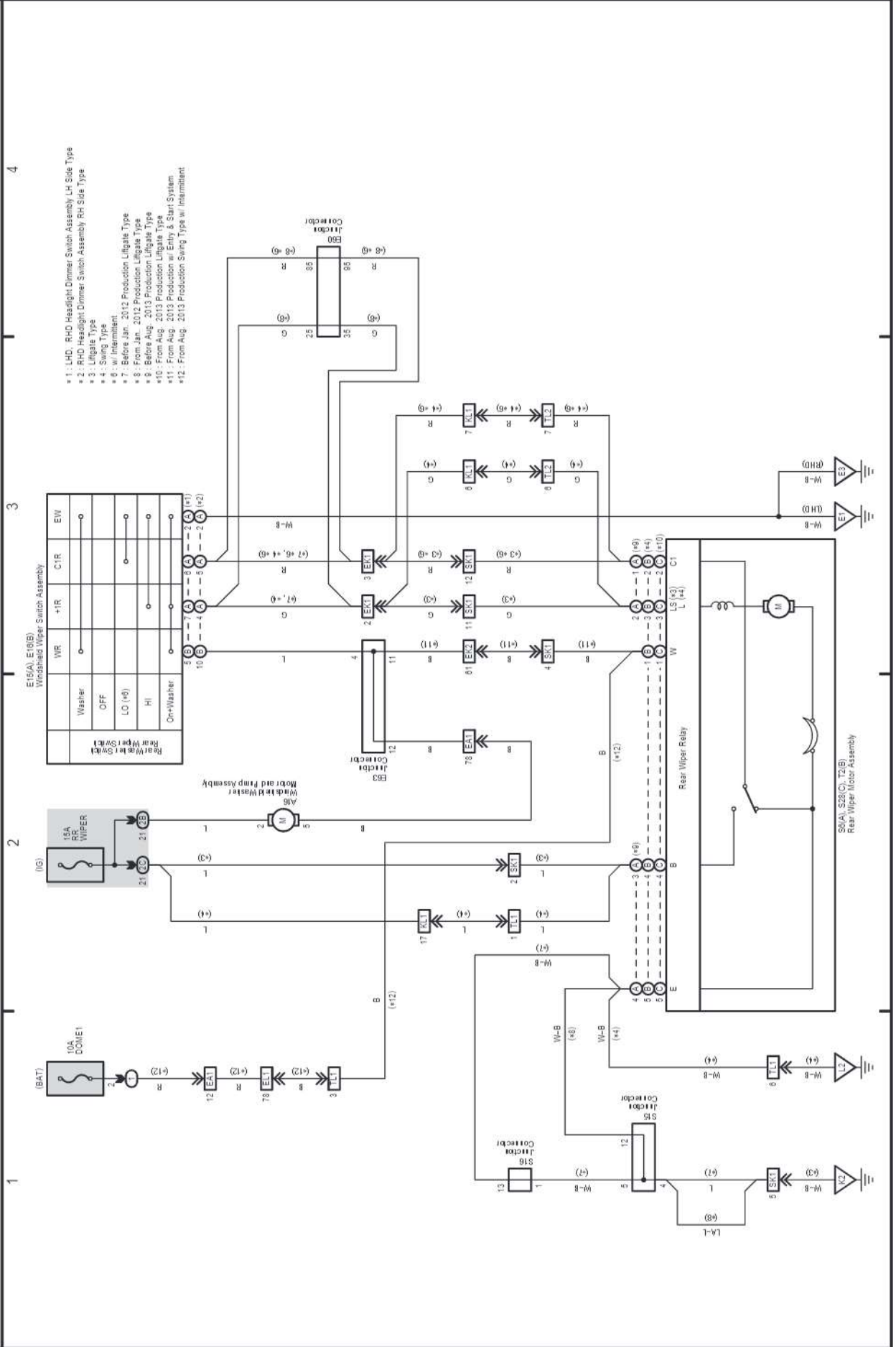
### Front Wiper and Washer (w/o Auto Wiper System)



\* 1 : LHD, RHD Headlight Dimmer Switch Assembly LH Side Type  
 \* 2 : RHD Headlight Dimmer Switch Assembly RH Side Type  
 \* 3 : w/ Short Connector  
 \* 4 : w/o Short Connector  
 \* 5 : From Jan. 2013 Production Except China  
 \* 6 : Before Jan. 2013 Production, From Jan. 2013 Production China

31 LAND CRUISER Station Wagon

Rear Wiper and Washer



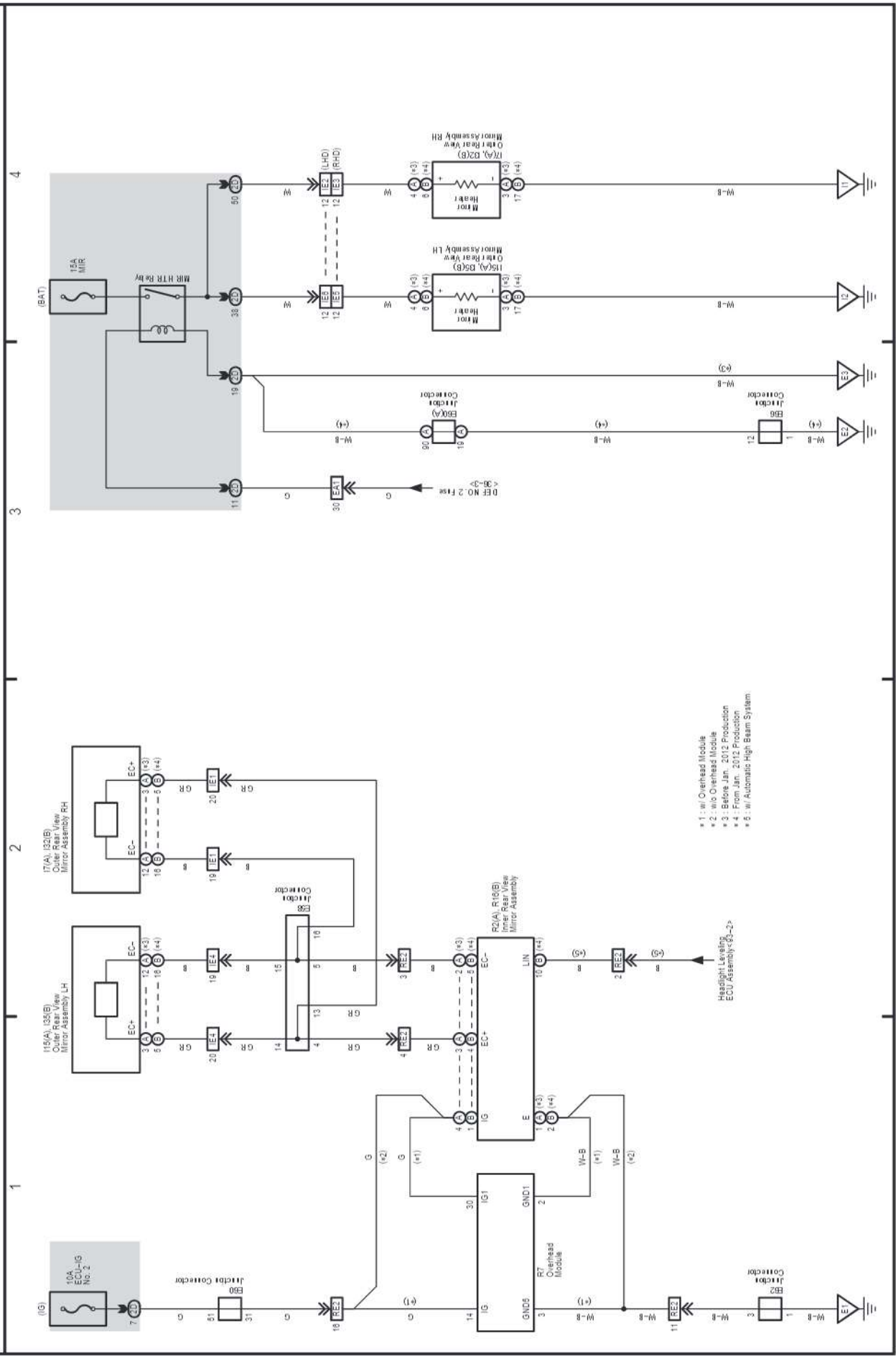
LAND CRUISER Station Wagon (EM22W1E)

# M OVERALL ELECTRICAL WIRING DIAGRAM

## 32 LAND CRUISER Station Wagon

### Automatic Glare-Resistant EC Mirror with Compass

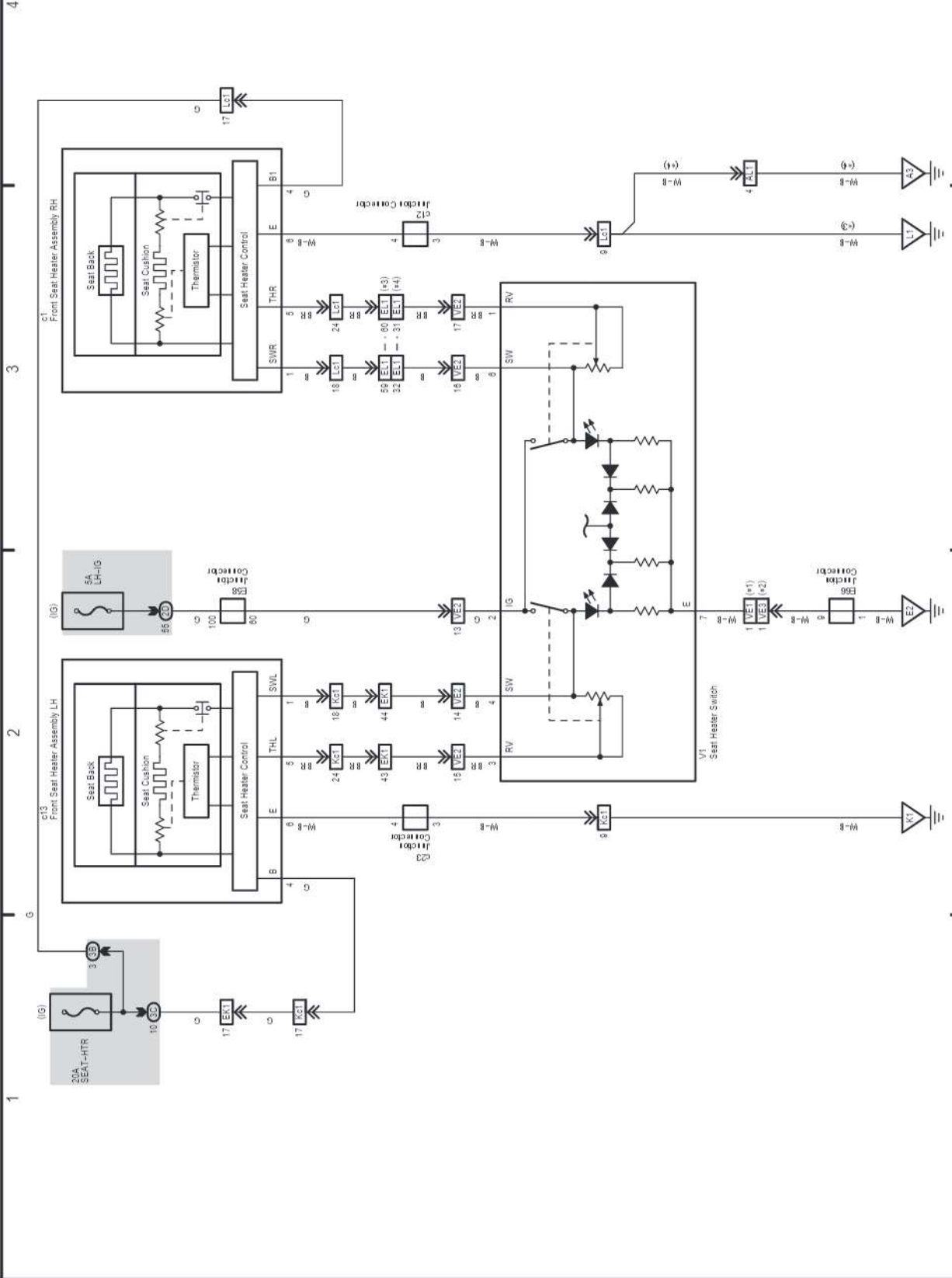
### Mirror Heater



33 LAND CRUISER Station Wagon

Seat Heater (Front)

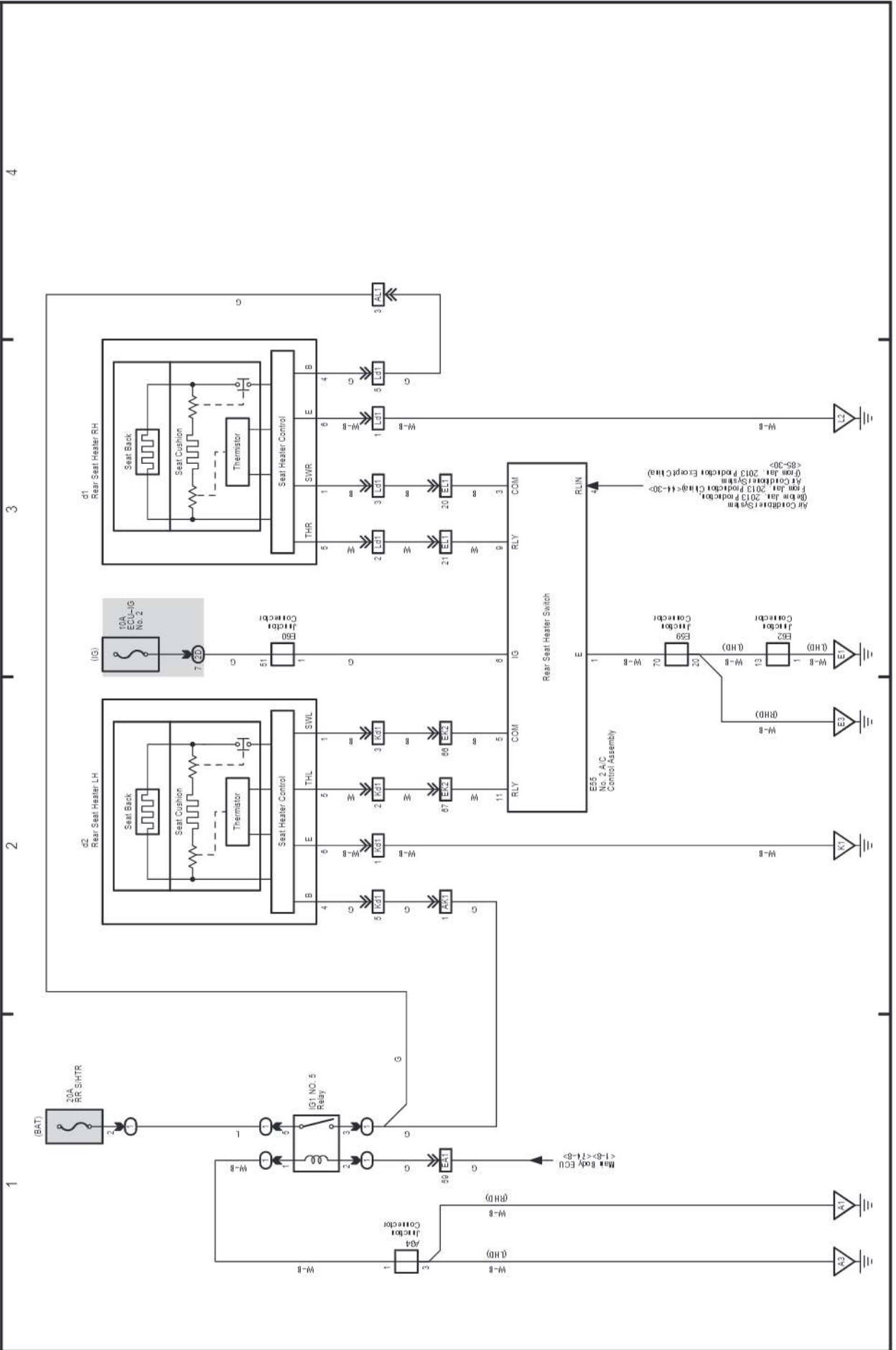
- \*1 : Before Jul. 2009 Production
- \*2 : From Jul. 2009 Production
- \*3 : Before Jan. 2012 Production
- \*4 : From Jan. 2012 Production



# M OVERALL ELECTRICAL WIRING DIAGRAM

## 34 LAND CRUISER Station Wagon

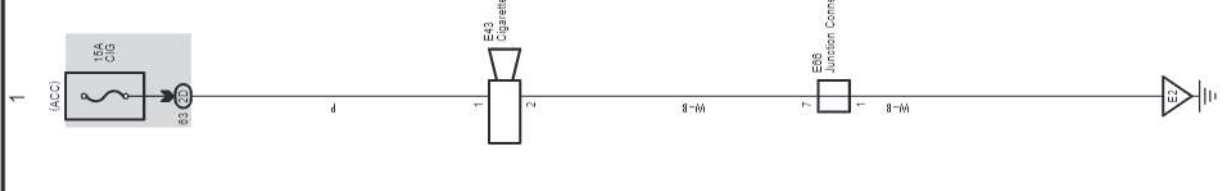
### Seat Heater (Rear)



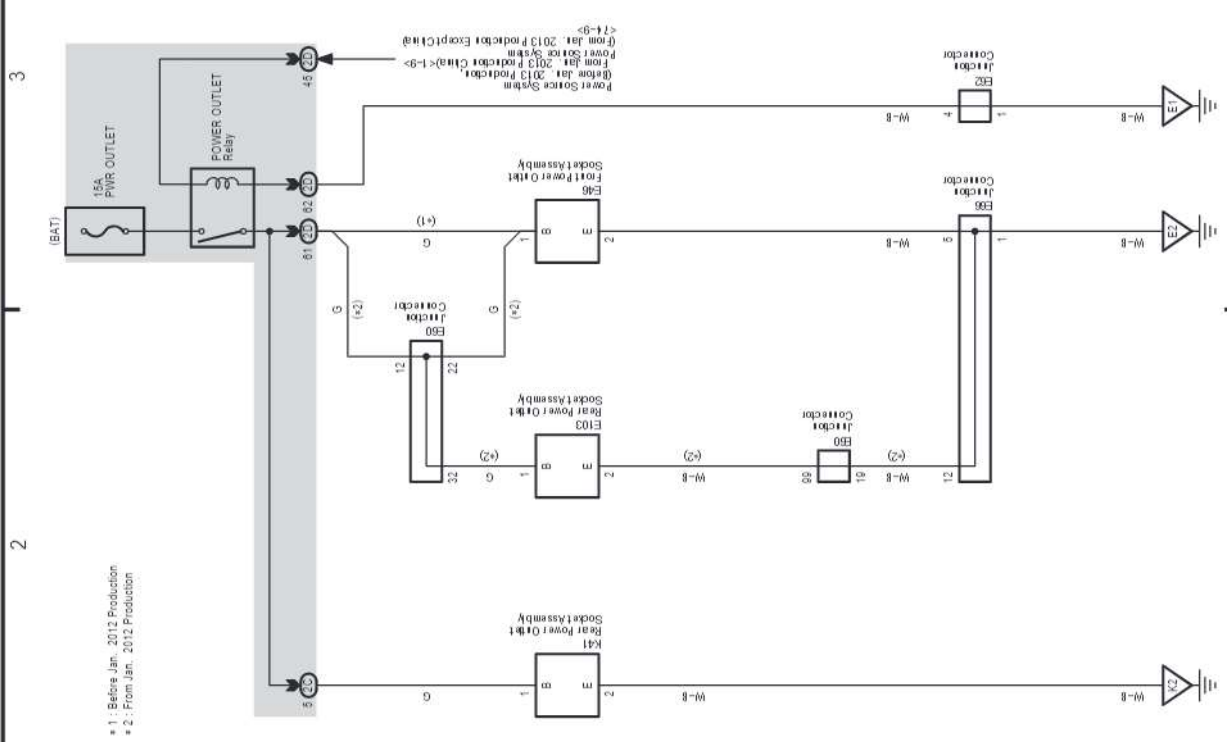


35 LAND CRUISER Station Wagon

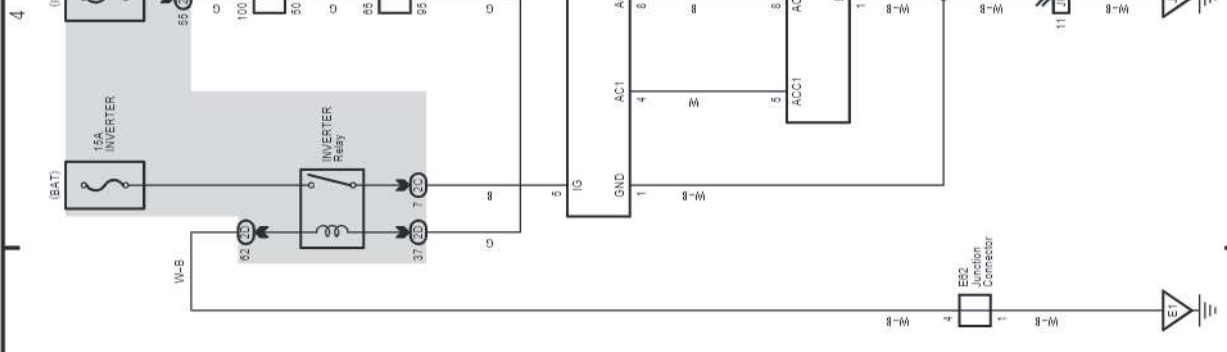
Cigarette Lighter



Power Outlet



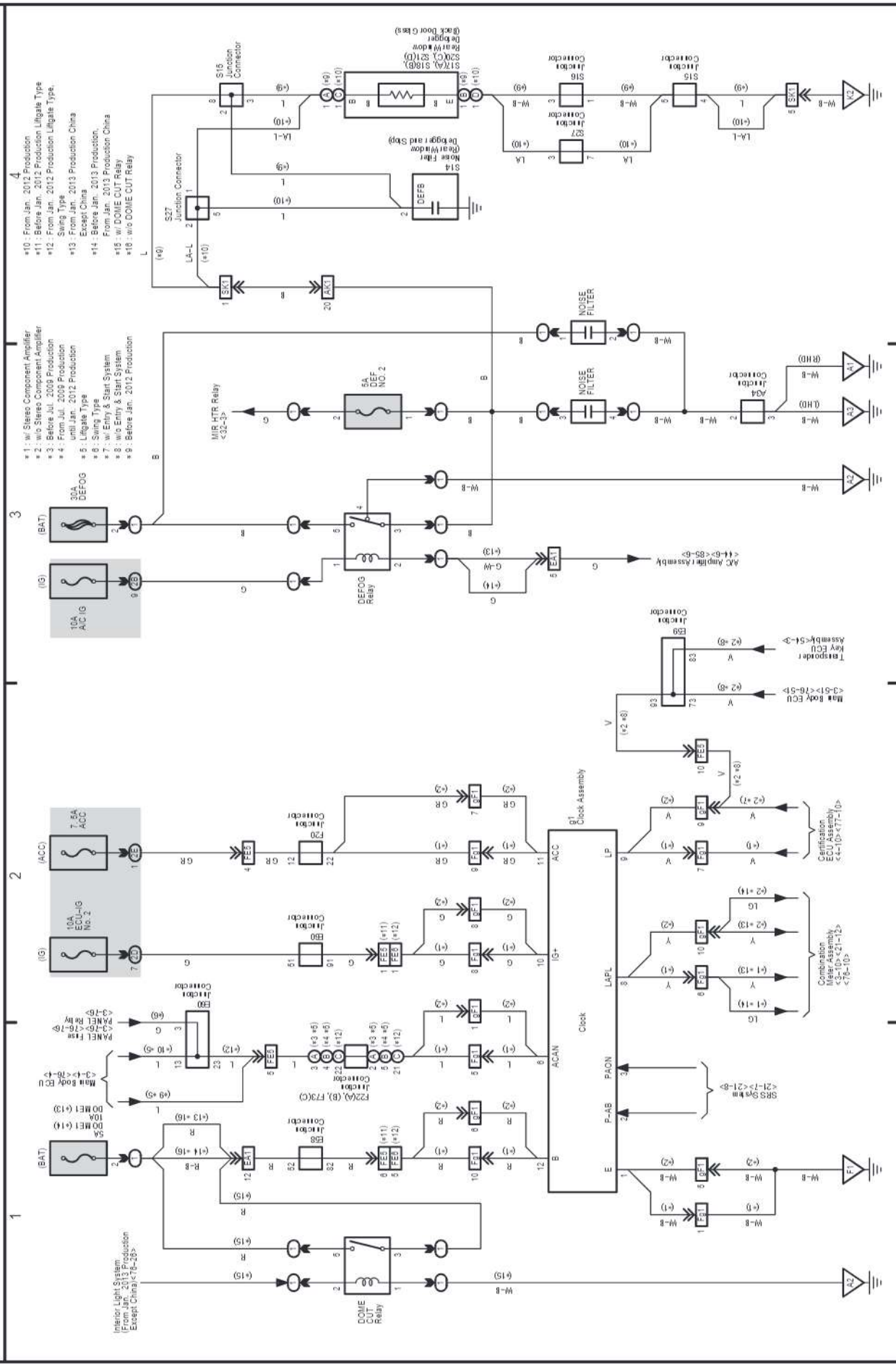
4



- \* 1 : Before Jan. 2012 Production
- \* 2 : From Jan. 2012 Production

# M OVERALL ELECTRICAL WIRING DIAGRAM

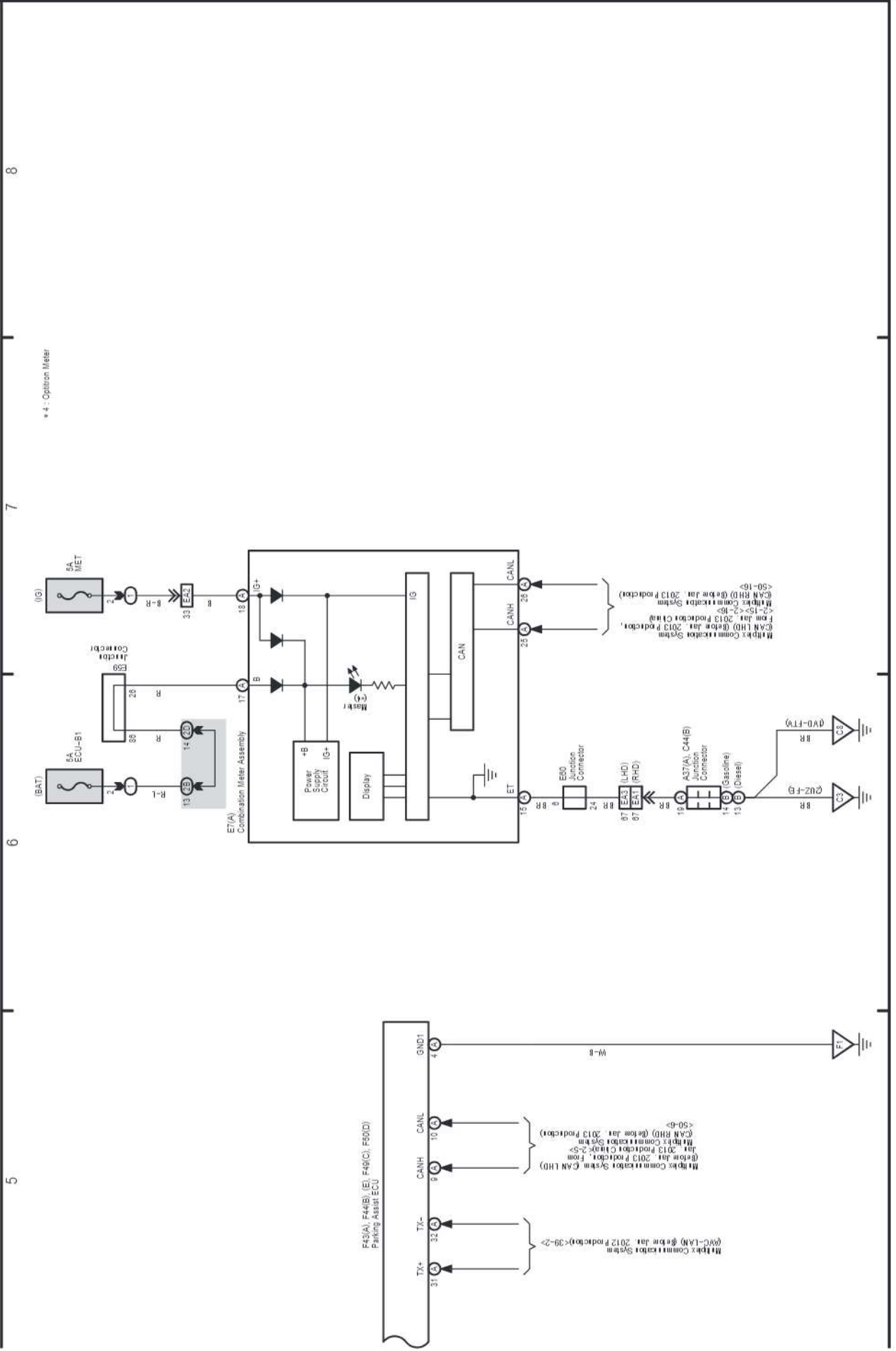
## Rear Window Defogger (Lifgate Type)





37 LAND CRUISER Station Wagon (Cont' d)

Parking Assist (Back Guide Monitor) and Parking Assist (TOYOTA Parking Assist-Sensor w/ Back Guide Monitor) (Before Jan. 2012 Production)



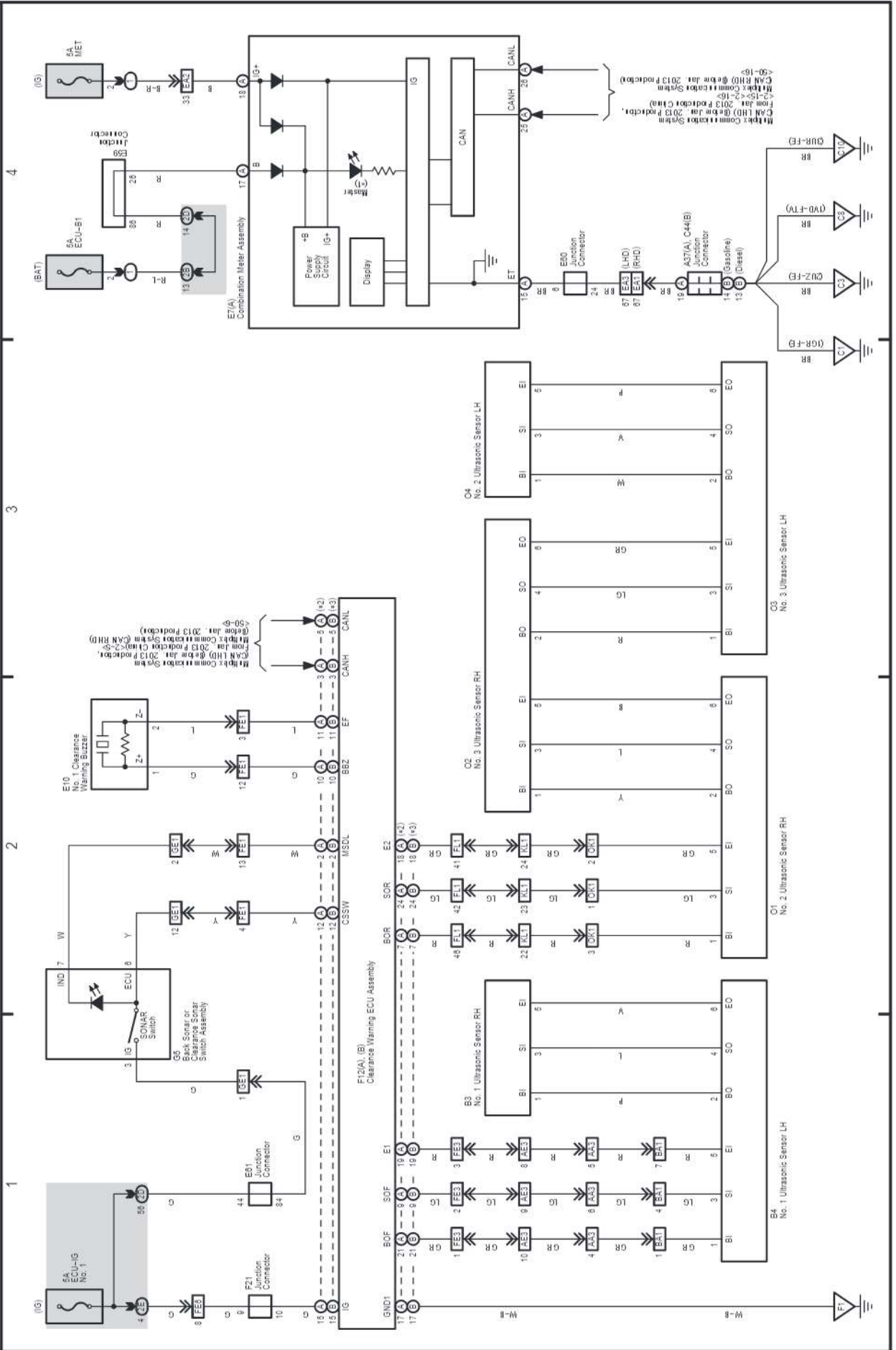
LAND CRUISER Station Wagon (EM22W1E)

# M OVERALL ELECTRICAL WIRING DIAGRAM

## 38 LAND CRUISER Station Wagon

### Parking Assist (TOYOTA Parking Assist-Sensor w/o Back Guide Monitor) (Before Jan. 2012 Production)

- \* 1: Option Meter
- \* 2: Before Aug. 2007 Production
- \* 3: From Aug. 2007 Production

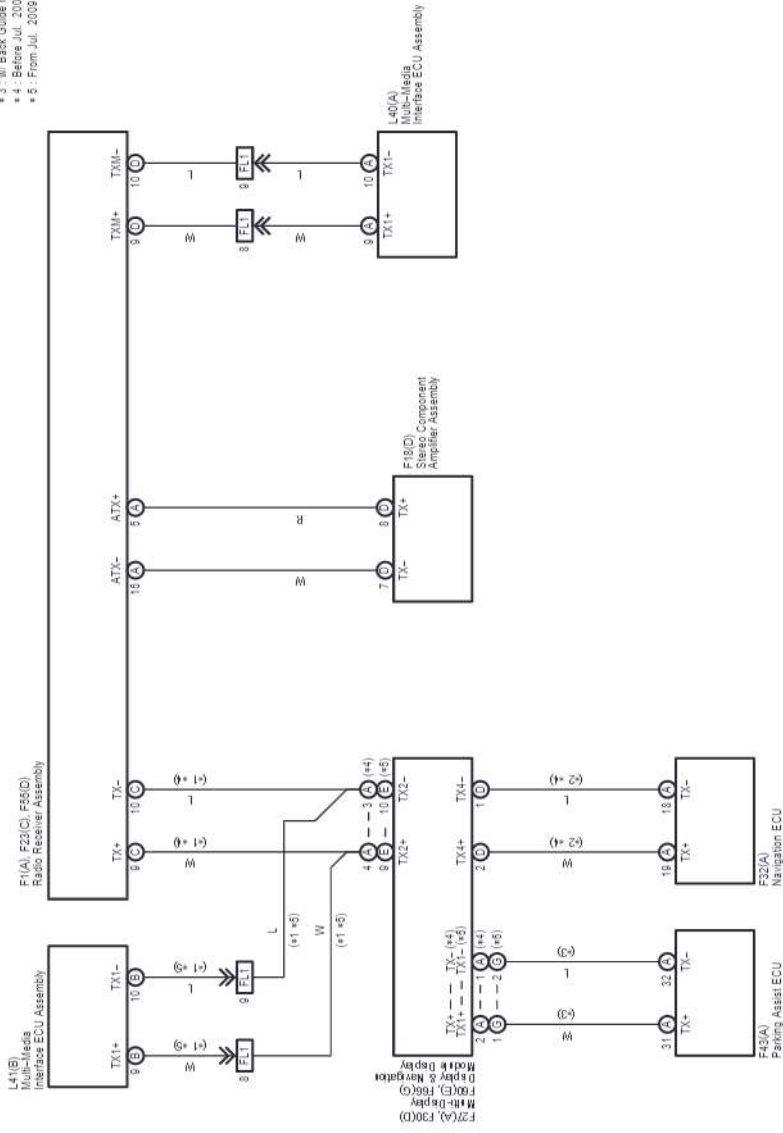


LAND CRUISER Station Wagon (EM22W1E)

Multiplex Communication System (AVC-LAN) (Before Jan. 2012 Production)

1 2 3 4

- 1 - w/ Multi-Display
- 2 - w/ Navigation System
- 3 - w/ Back Guide Monitor
- 4 - Before Jul. 2009 Production
- 5 - From Jul. 2009 Production



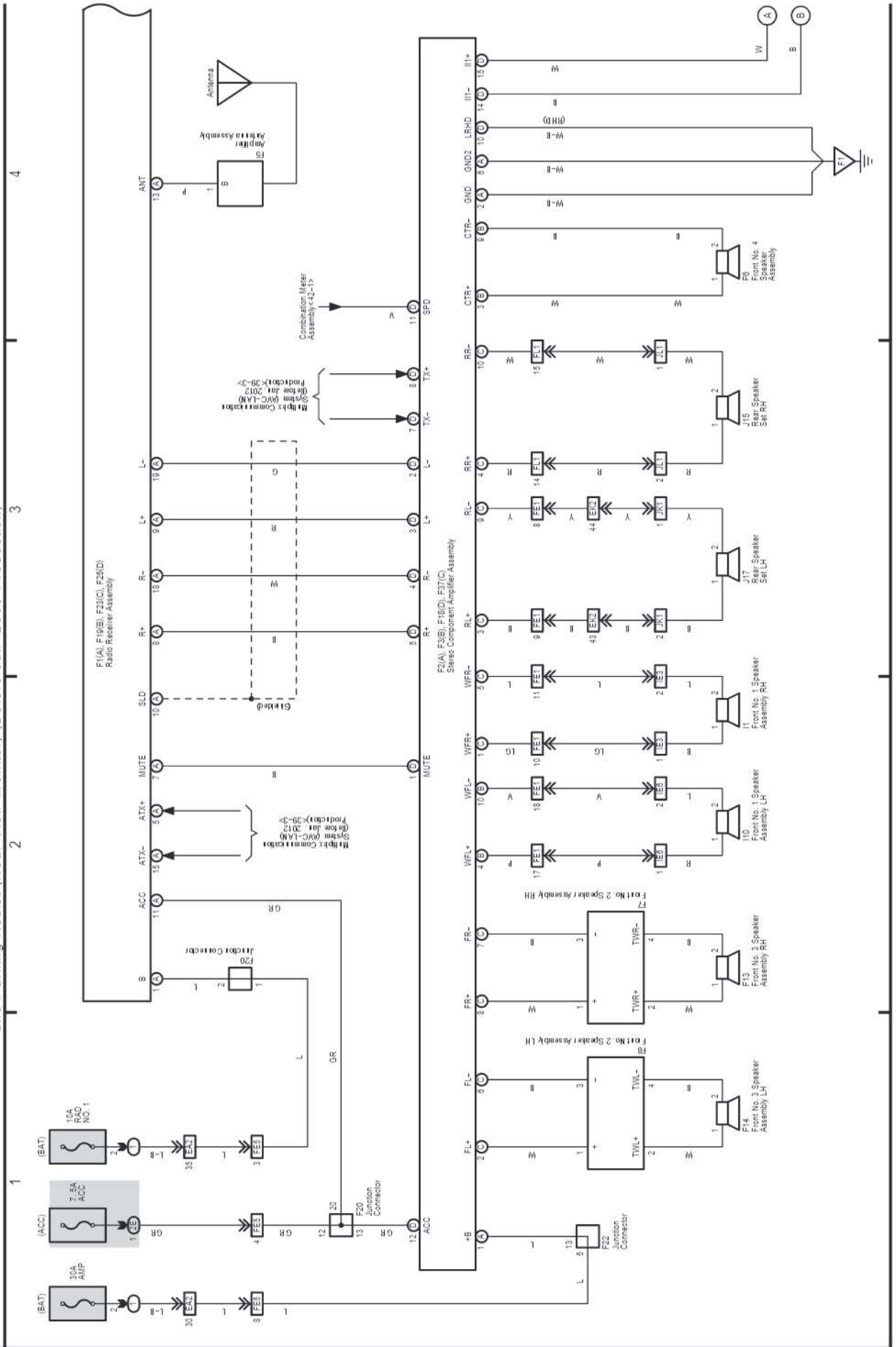


# M OVERALL ELECTRICAL WIRING DIAGRAM

(Cont. next page)

40 LAND CRUISER Station Wagon

Audio System (w/ Stereo Component Amplifier) (Before Jul. 2009 Production),  
Multi-Display (Before Jul. 2009 Production), Navigation System (Before Jul. 2009 Production)  
and Parking Assist (Rear View Monitor) (Before Jul. 2009 Production)

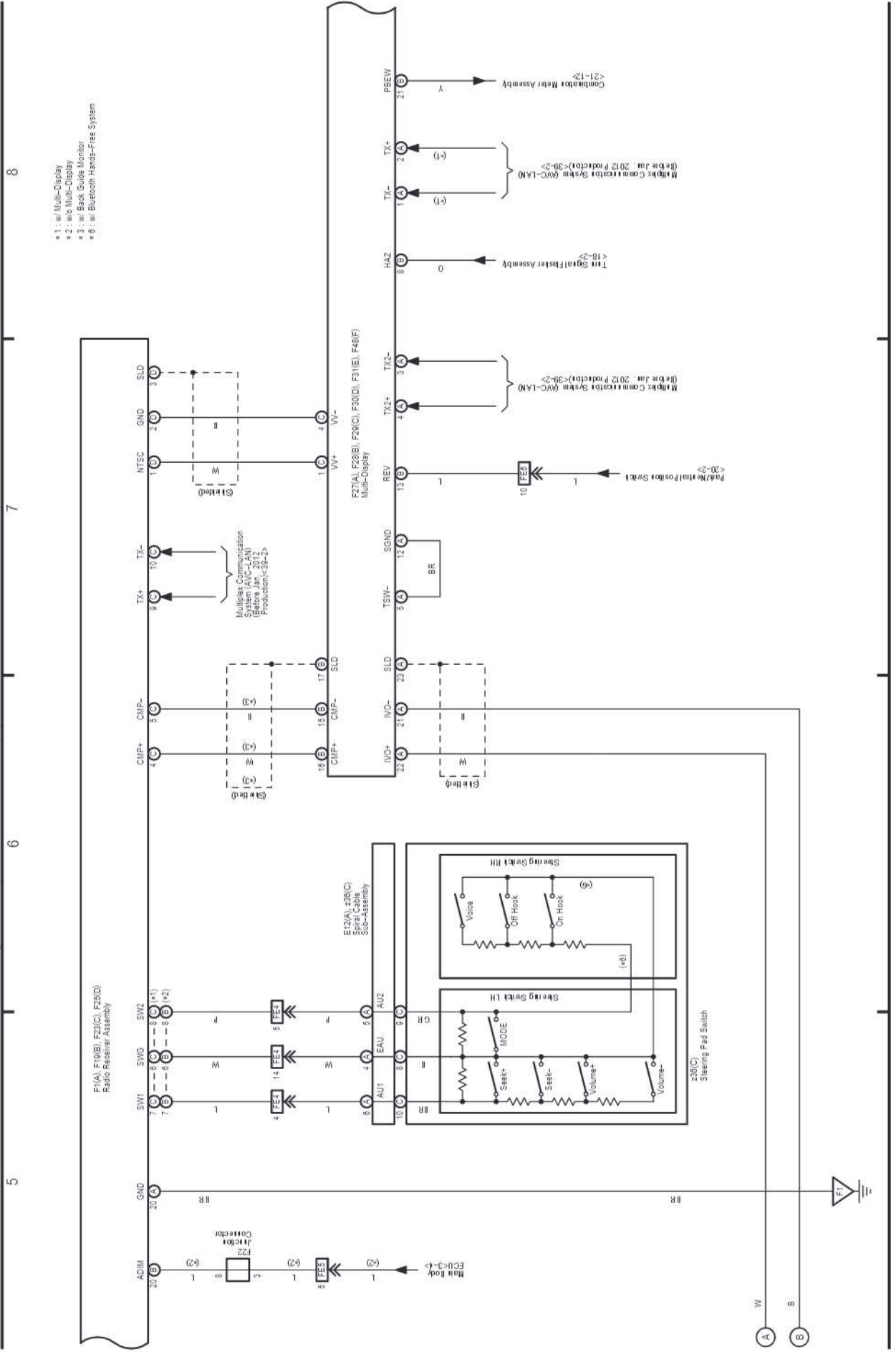


LAND CRUISER Station Wagon (EM22W1E)

40 LAND CRUISER Station Wagon (Cont' d)

(Cont. next page)

Audio System (w/ Stereo Component Amplifier) (Before Jul. 2009 Production),  
Multi-Display (Before Jul. 2009 Production), Navigation System (Before Jul. 2009 Production)  
and Parking Assist (Rear View Monitor) (Before Jul. 2009 Production)



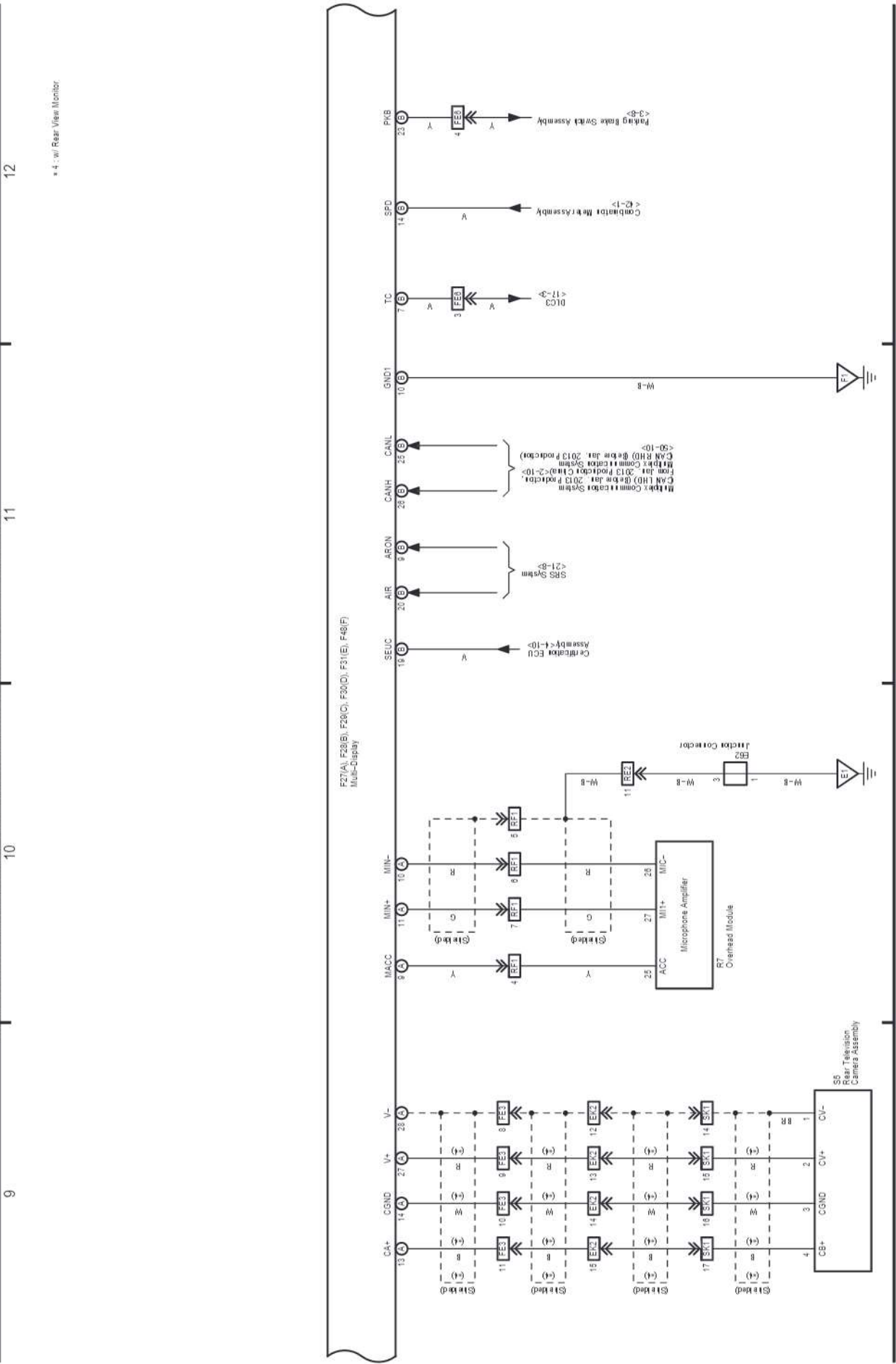
LAND CRUISER Station Wagon (EM22W1E)

# M OVERALL ELECTRICAL WIRING DIAGRAM

40 LAND CRUISER Station Wagon (Cont' d)

(Cont. next page)

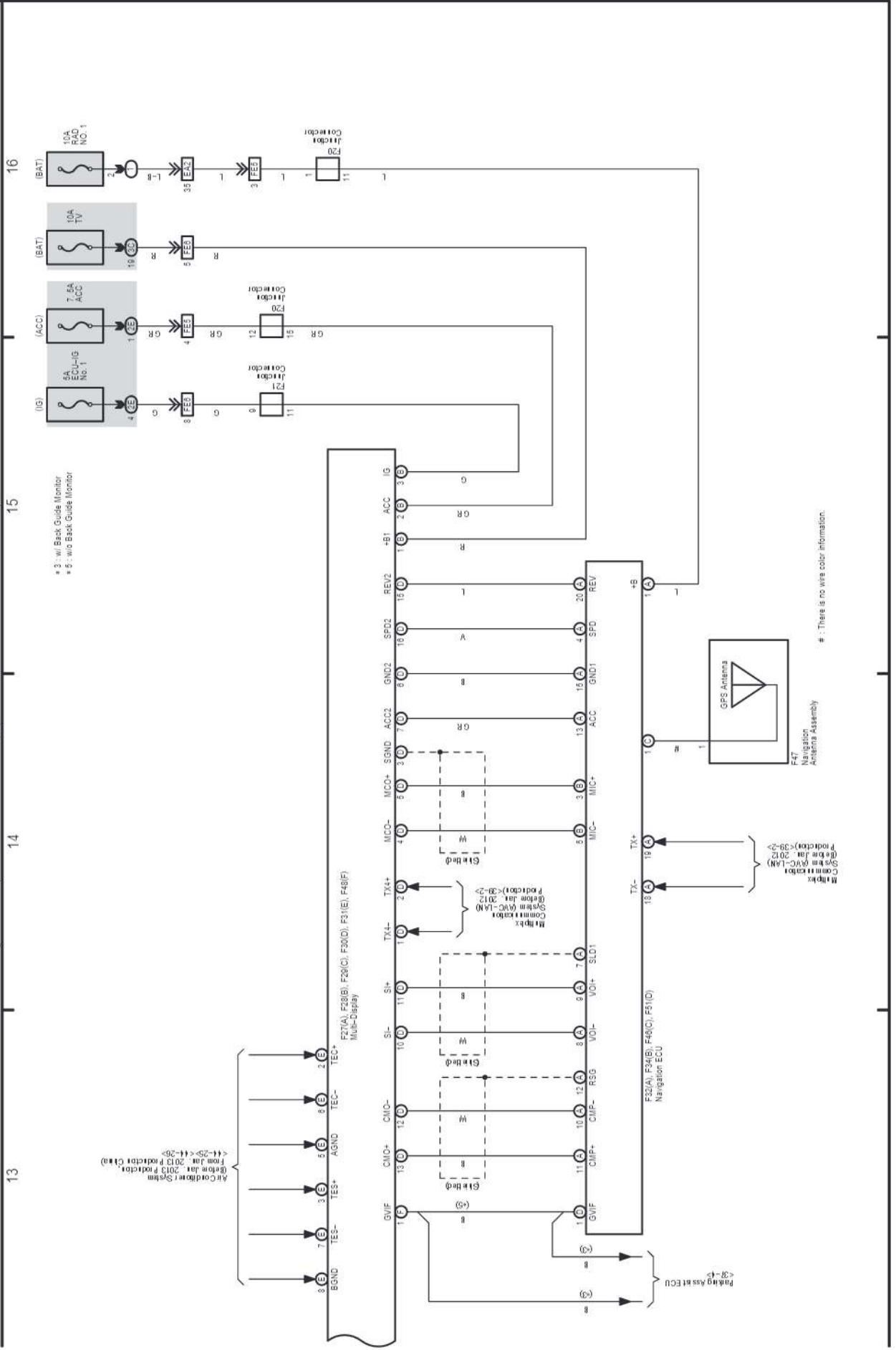
Audio System (w/ Stereo Component Amplifier) (Before Jul. 2009 Production),  
Multi-Display (Before Jul. 2009 Production), Navigation System (Before Jul. 2009 Production)  
and Parking Assist (Rear View Monitor) (Before Jul. 2009 Production)



LAND CRUISER Station Wagon (EM22W1E)

40 LAND CRUISER Station Wagon (Cont' d)

Audio System (w/ Stereo Component Amplifier) (Before Jul. 2009 Production),  
 Multi-Display (Before Jul. 2009 Production), Navigation System (Before Jul. 2009 Production)  
 and Parking Assist (Rear View Monitor) (Before Jul. 2009 Production)



LAND CRUISER Station Wagon (EM22W1E)

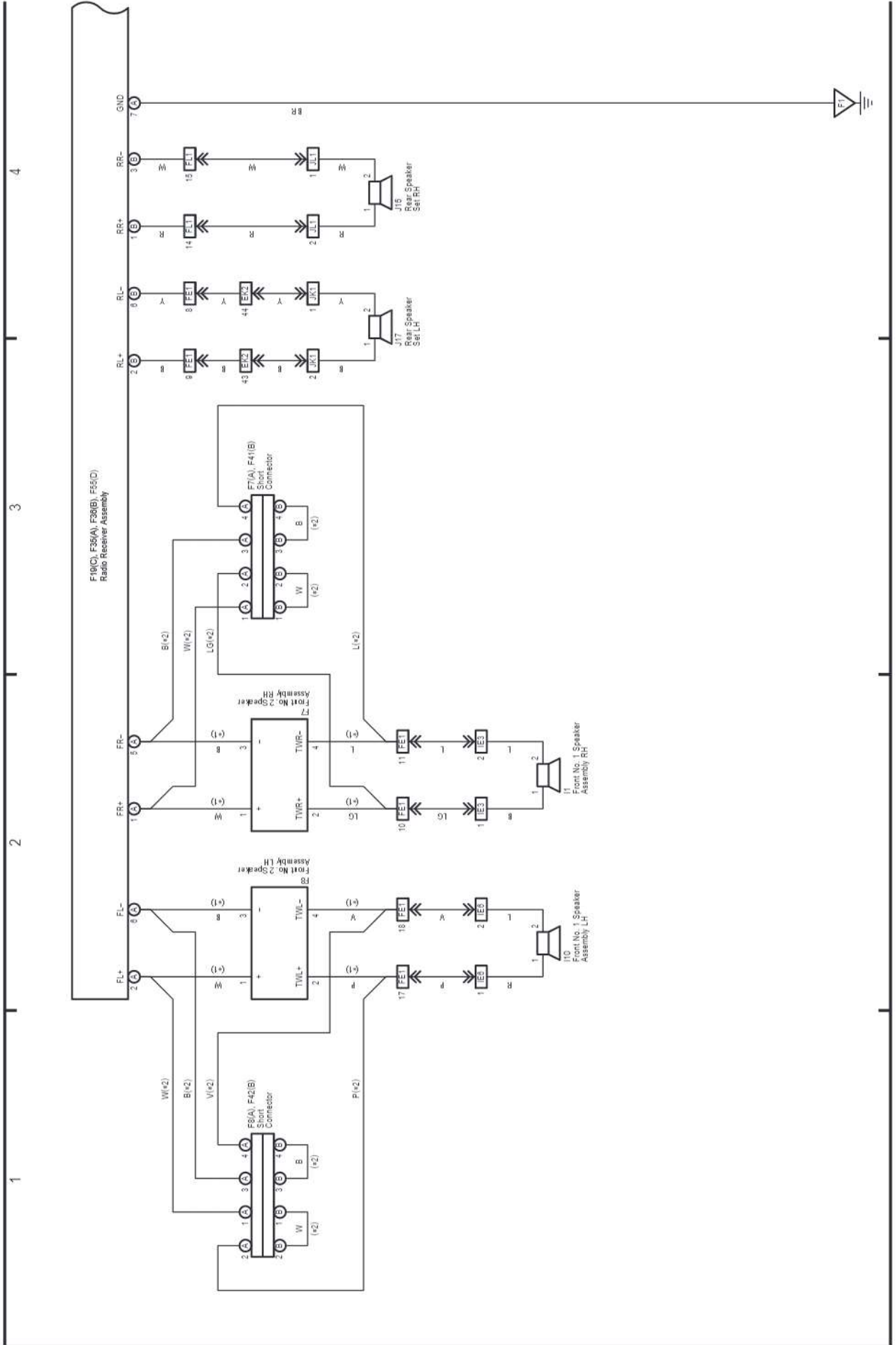
# M OVERALL ELECTRICAL WIRING DIAGRAM

41 LAND CRUISER Station Wagon

(Cont. next page)

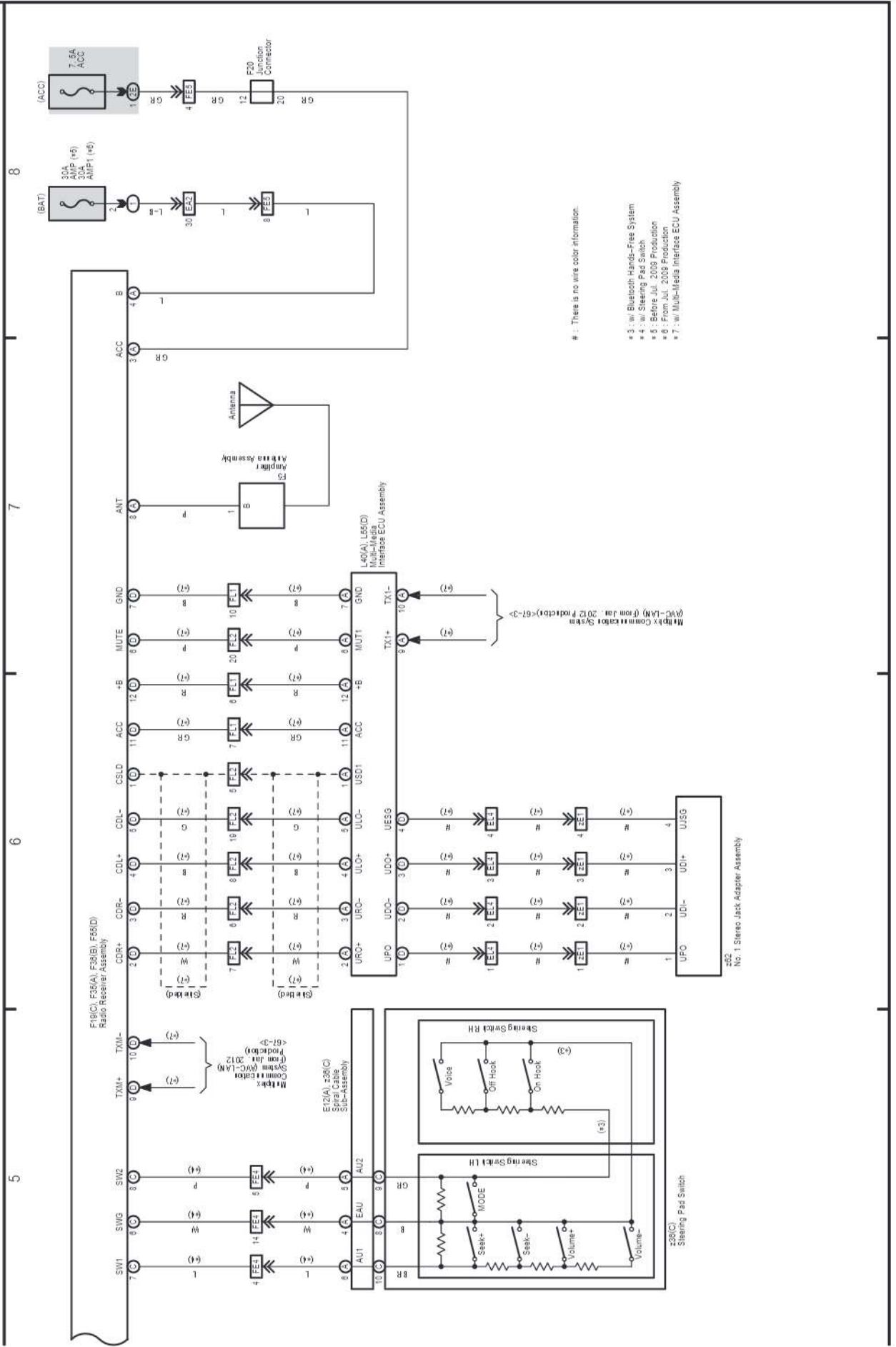
Audio System (w/o Stereo Component Amplifier)

\* 1 : 8 Speaker  
\* 2 : 4 Speaker



41 LAND CRUISER Station Wagon (Cont' d)

Audio System (w/o Stereo Component Amplifier)



# 1: There is no wire color information.

# 3 :w/ Bluetooth Hands-Free System  
 # 4 :w/ Steering Pad Switch  
 # 5 :Before Jul. 2009 Production  
 # 6 :From Jul. 2009 Production  
 # 7 :w/ Multi-Media Interface ECU Assembly

238(D)  
No. 1 Stereo Jack Adapter Assembly

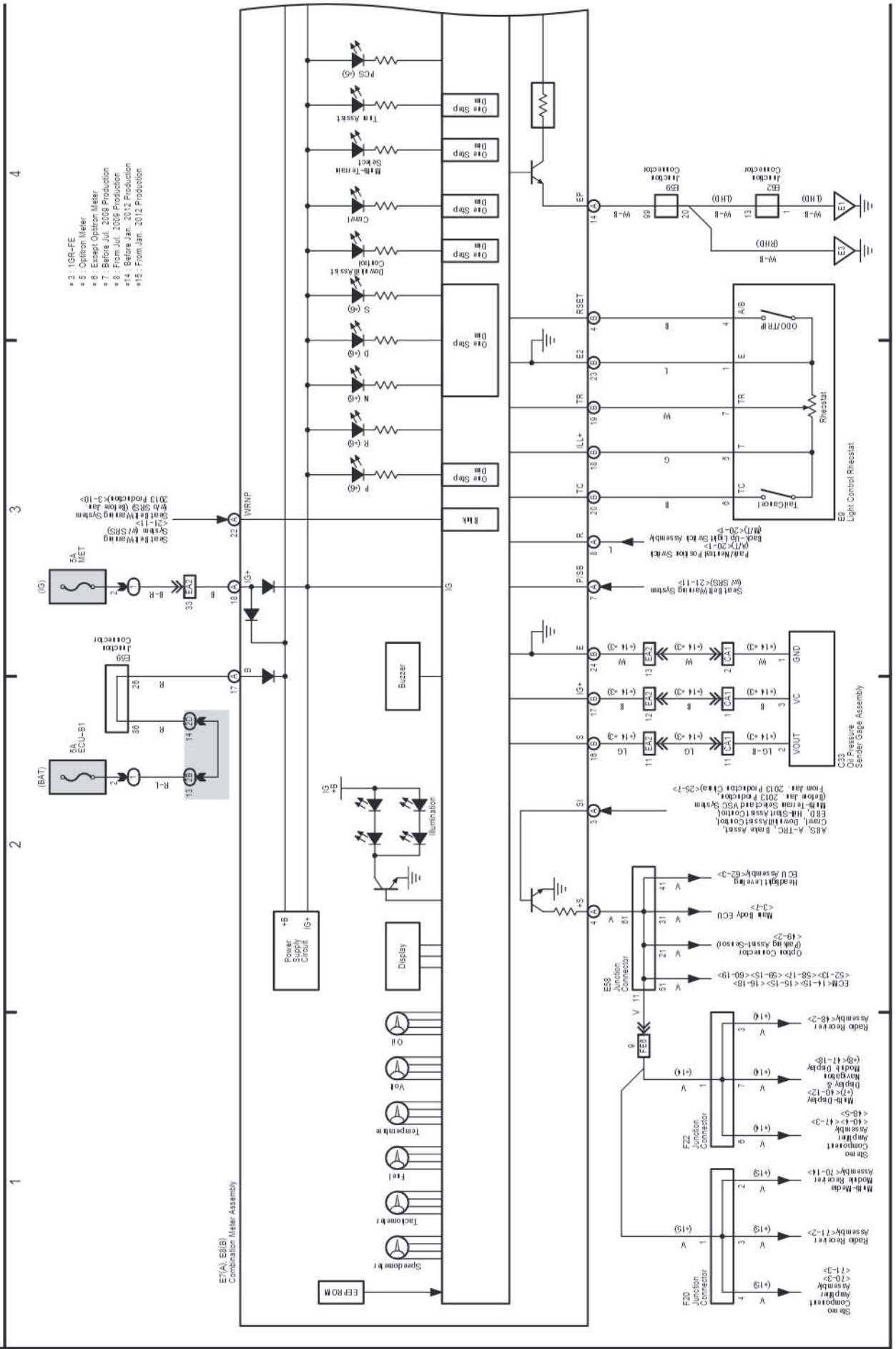


# M OVERALL ELECTRICAL WIRING DIAGRAM

(Cont. next page)

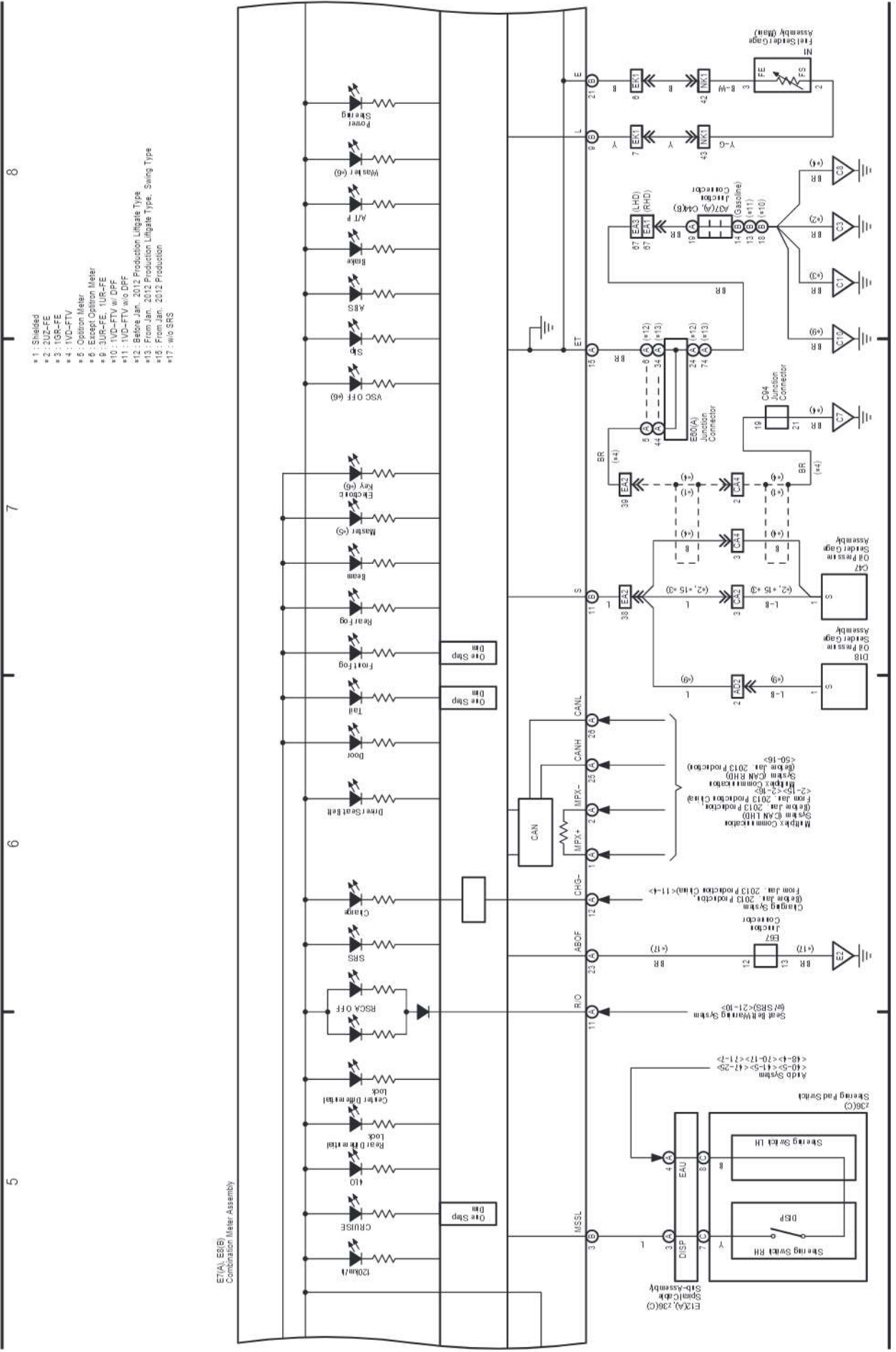
42 LAND CRUISER Station Wagon

Combination Meter (Before Jan. 2013 Production, From Jan. 2013 Production China)



LAND CRUISER Station Wagon (EM22W1E)

Combination Meter (Before Jan. 2013 Production, From Jan. 2013 Production China)



# M OVERALL ELECTRICAL WIRING DIAGRAM

## 42 LAND CRUISER Station Wagon (Cont' d)

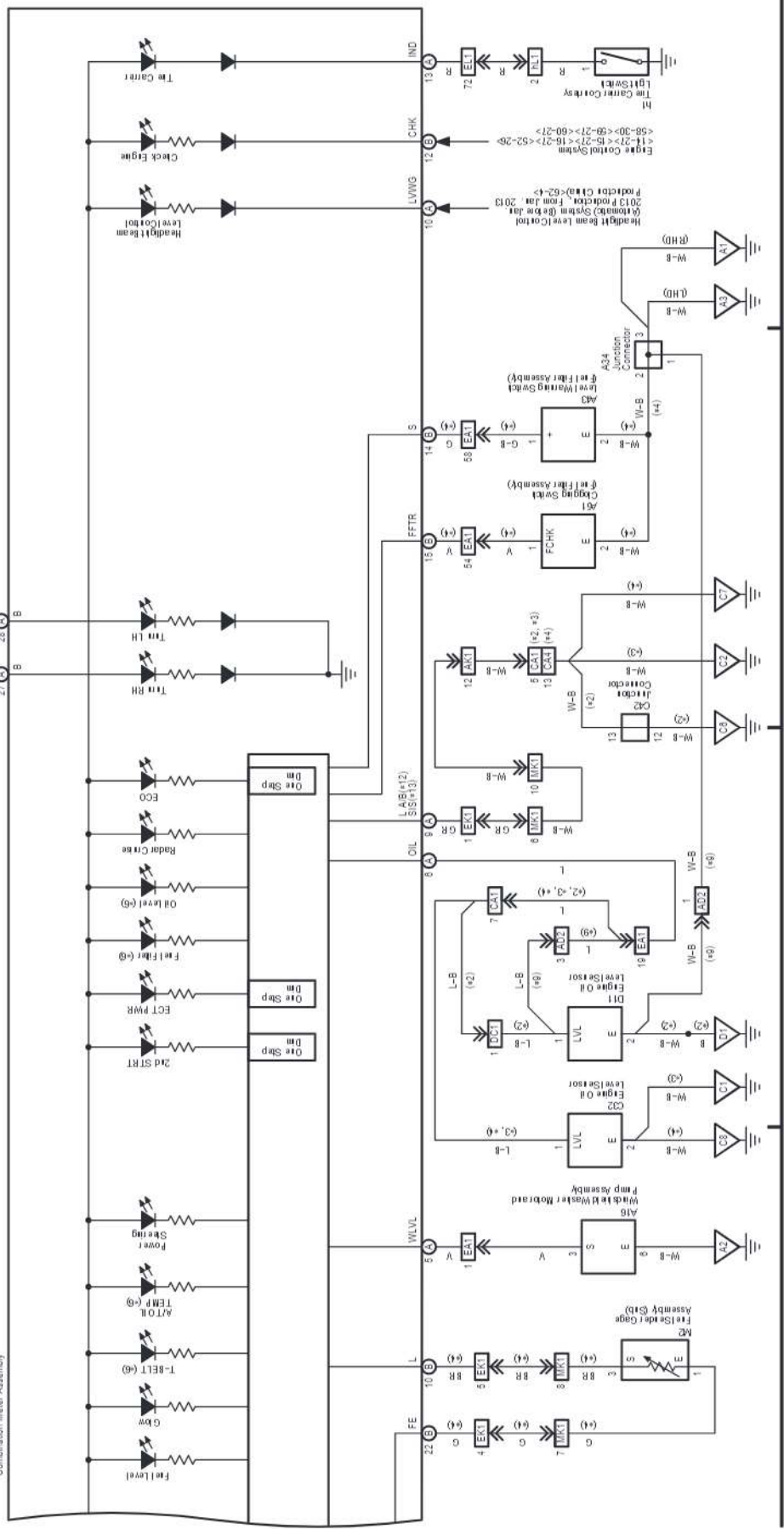
Combination Meter (Before Jan. 2013 Production, From Jan. 2013 Production China)

9 10 11 12

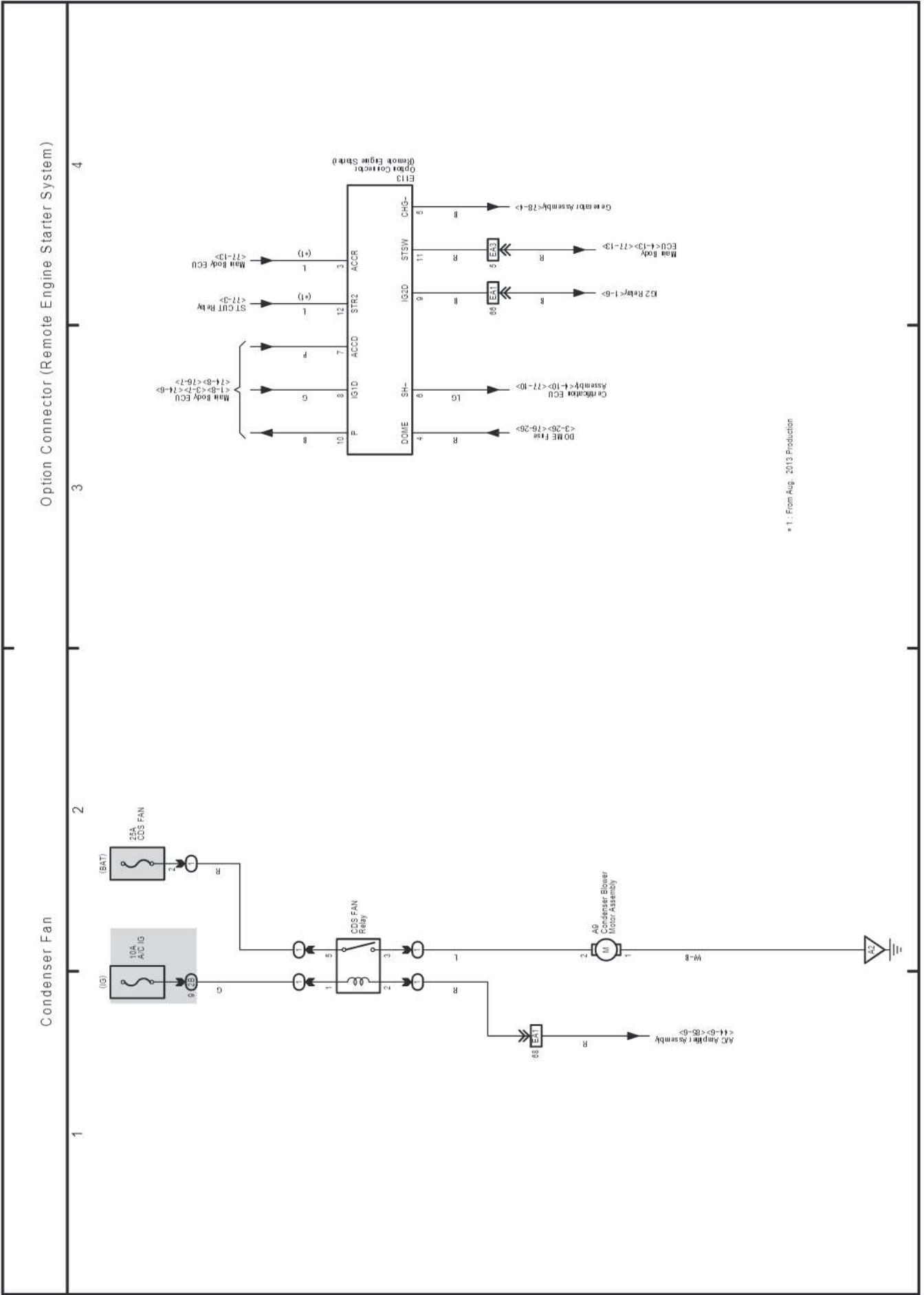
- #2.: 2U2-FE
- #3.: 1GR-FE
- #4.: 1VD-FTV
- #6.: Except Option Meter
- #8.: 3UR-FE, 1UR-FE
- #12.: Before Jan. 2012 Production Litgate Type
- #13.: From Jan. 2012 Production Litgate Type, Swing Type

From Jan. 2012  
Warning Light System  
Tin Spread Head  
Production<61->

ET(A), E8(B)  
Combination Meter Assembly



43 LAND CRUISER Station Wagon



\* 1: From Aug. 2013 Production

LAND CRUISER Station Wagon (EM22W1E)

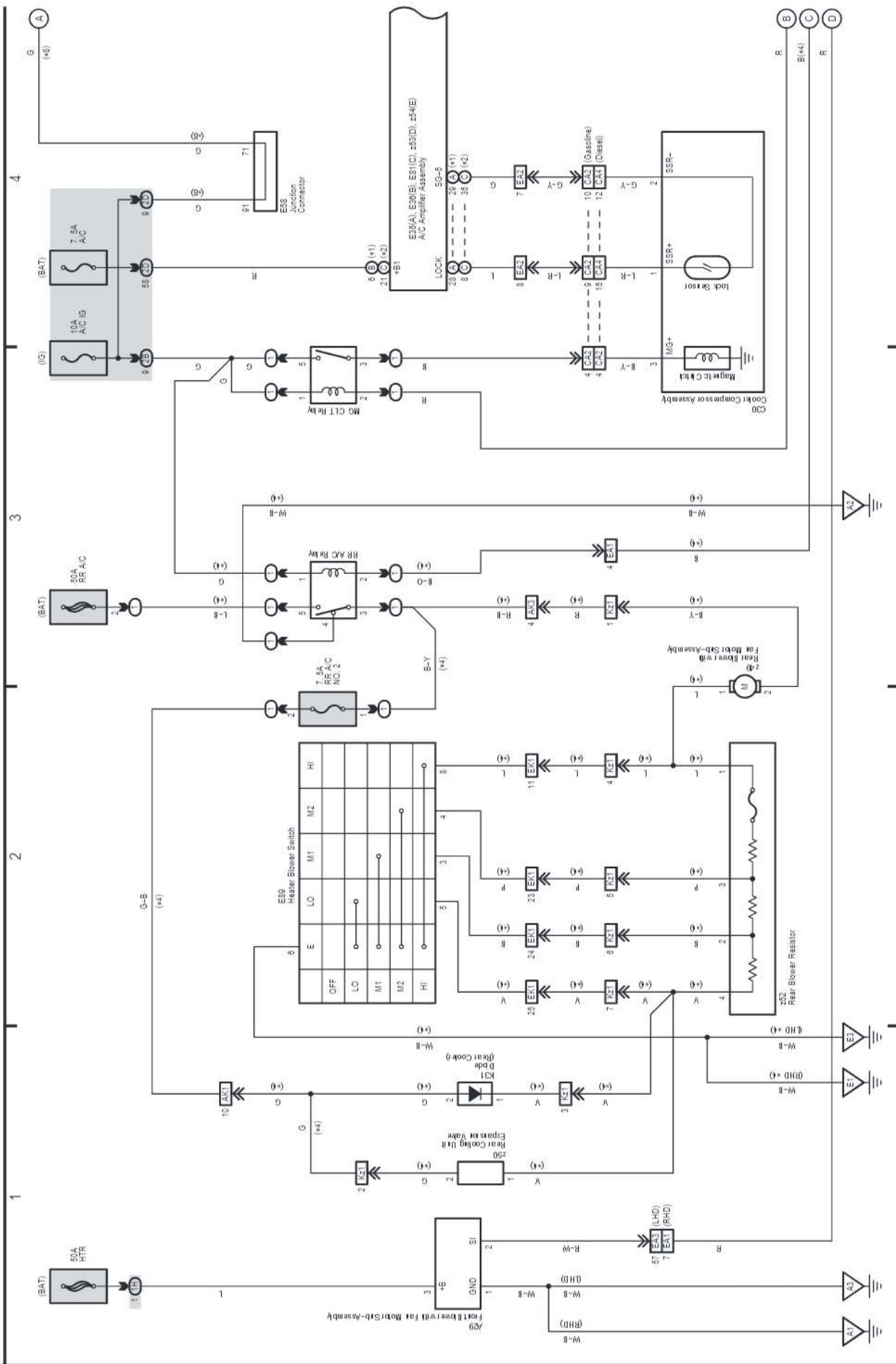
# M OVERALL ELECTRICAL WIRING DIAGRAM

(Cont. next page)

44 LAND CRUISER Station Wagon

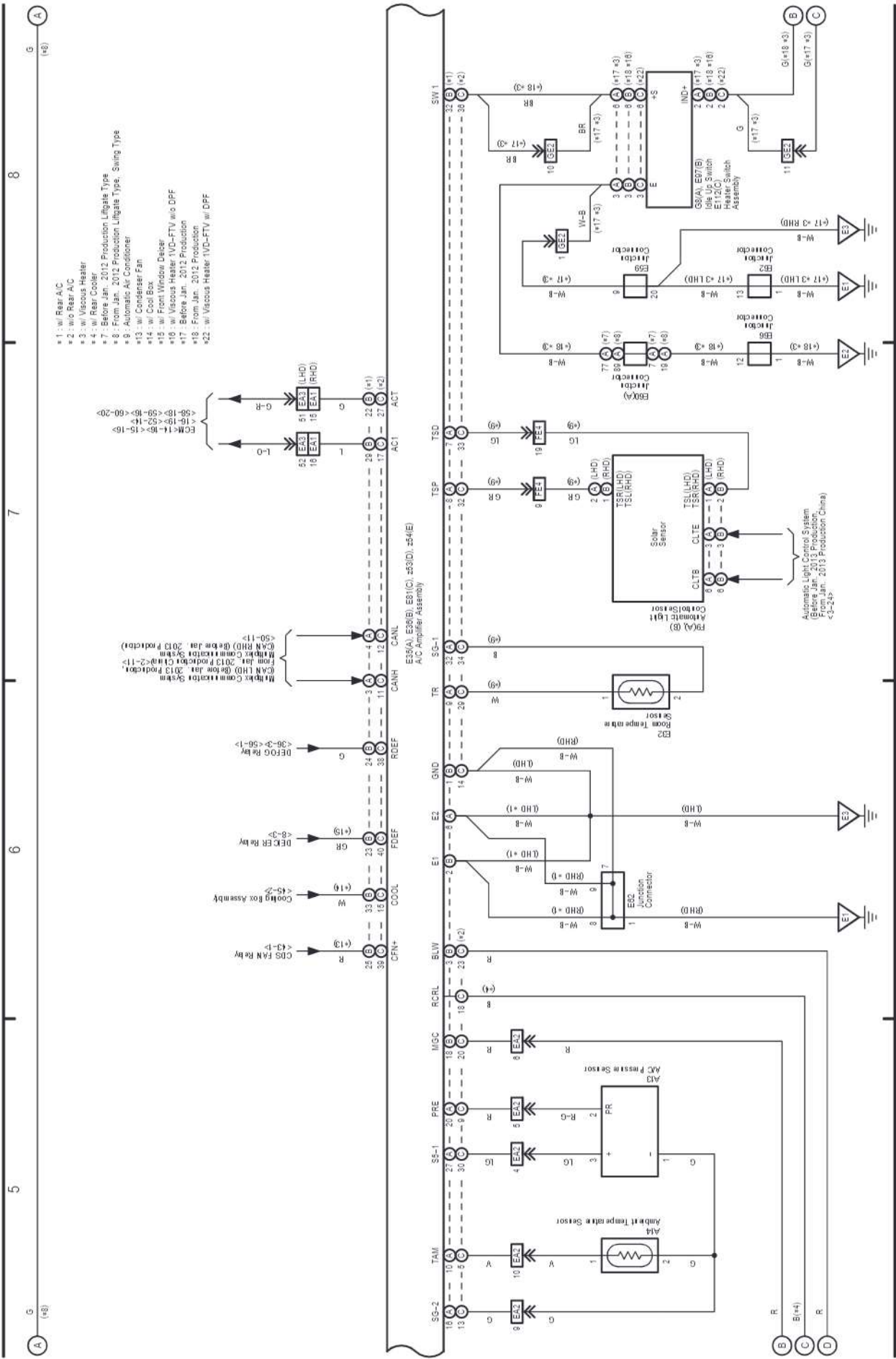
1 : w/ Rear A/C  
 2 : w/o Rear A/C  
 3 : w/ Rear Cooler  
 4 : From Jan. 2012 Production Liftgate Type, Swing Type

Air Conditioner (Before Jan. 2013 Production,  
 From Jan. 2013 Production China)





Air Conditioner (Before Jan. 2013 Production,  
From Jan. 2013 Production China)





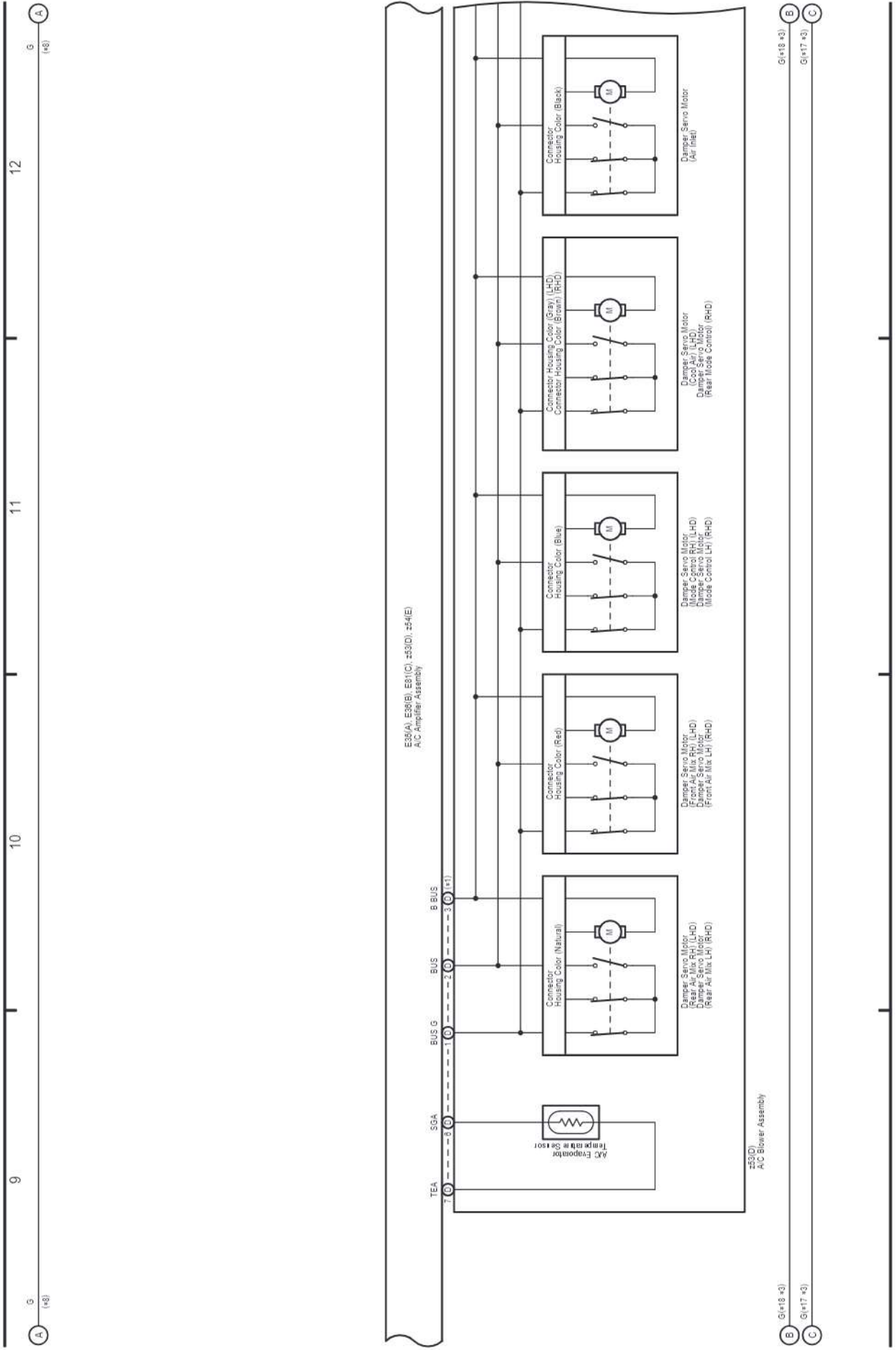
# M OVERALL ELECTRICAL WIRING DIAGRAM

44 LAND CRUISER Station Wagon (Cont' d)

(Cont. next page)

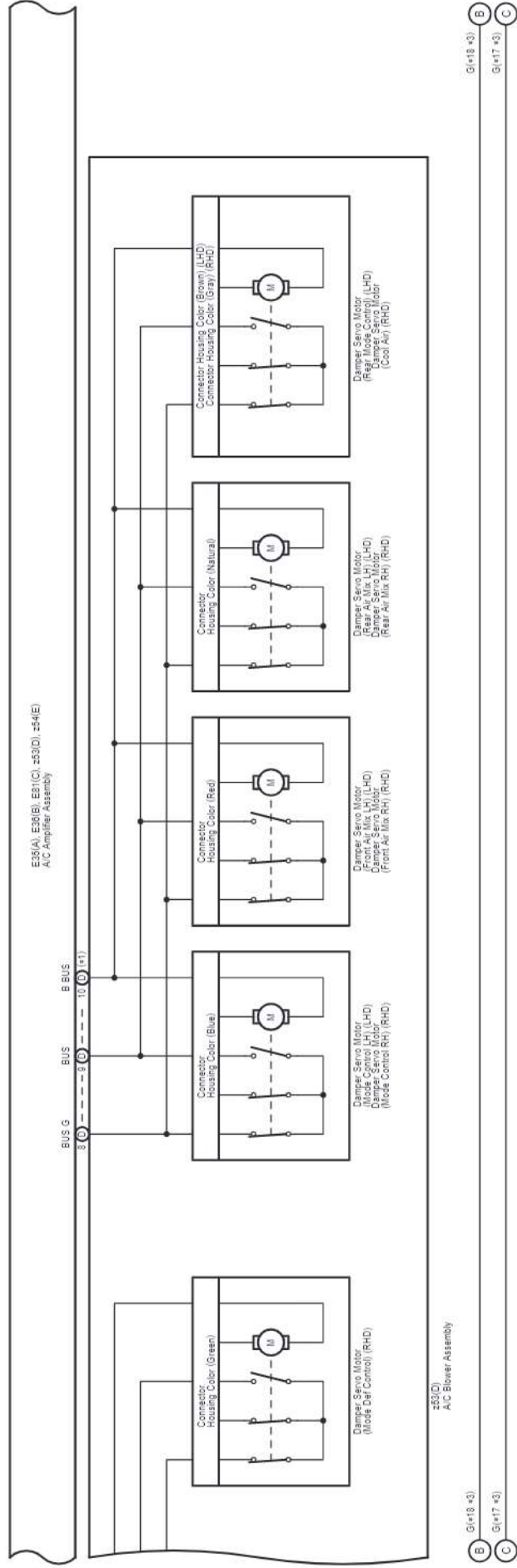
- #1 : w/ Rear A/C
- #3 : w/ Viscous Heater
- #8 : From Jan. 2012 Production (Utgate Type, Swing Type)
- #17 : Before Jan. 2012 Production
- #18 : From Jan. 2012 Production

Air Conditioner (Before Jan. 2013 Production,  
From Jan. 2013 Production China)



- \*1 - w/ Rear A/C
- \*3 - w/ Viscous Heater
- \*8 - From Jan. 2012 Production (Libgate Type, Sailing Type)
- \*17 - Before Jan. 2012 Production
- \*18 - From Jan. 2012 Production

Air Conditioner (Before Jan. 2013 Production,  
From Jan. 2013 Production China)

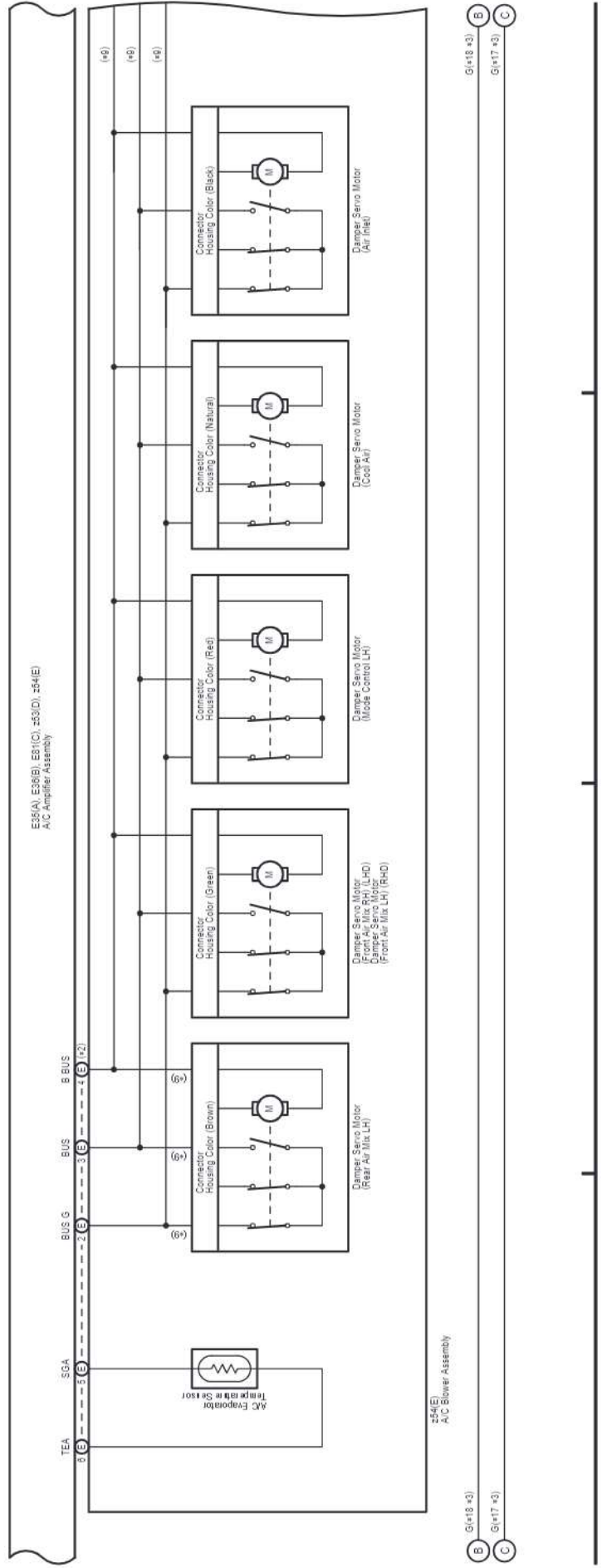


# M OVERALL ELECTRICAL WIRING DIAGRAM

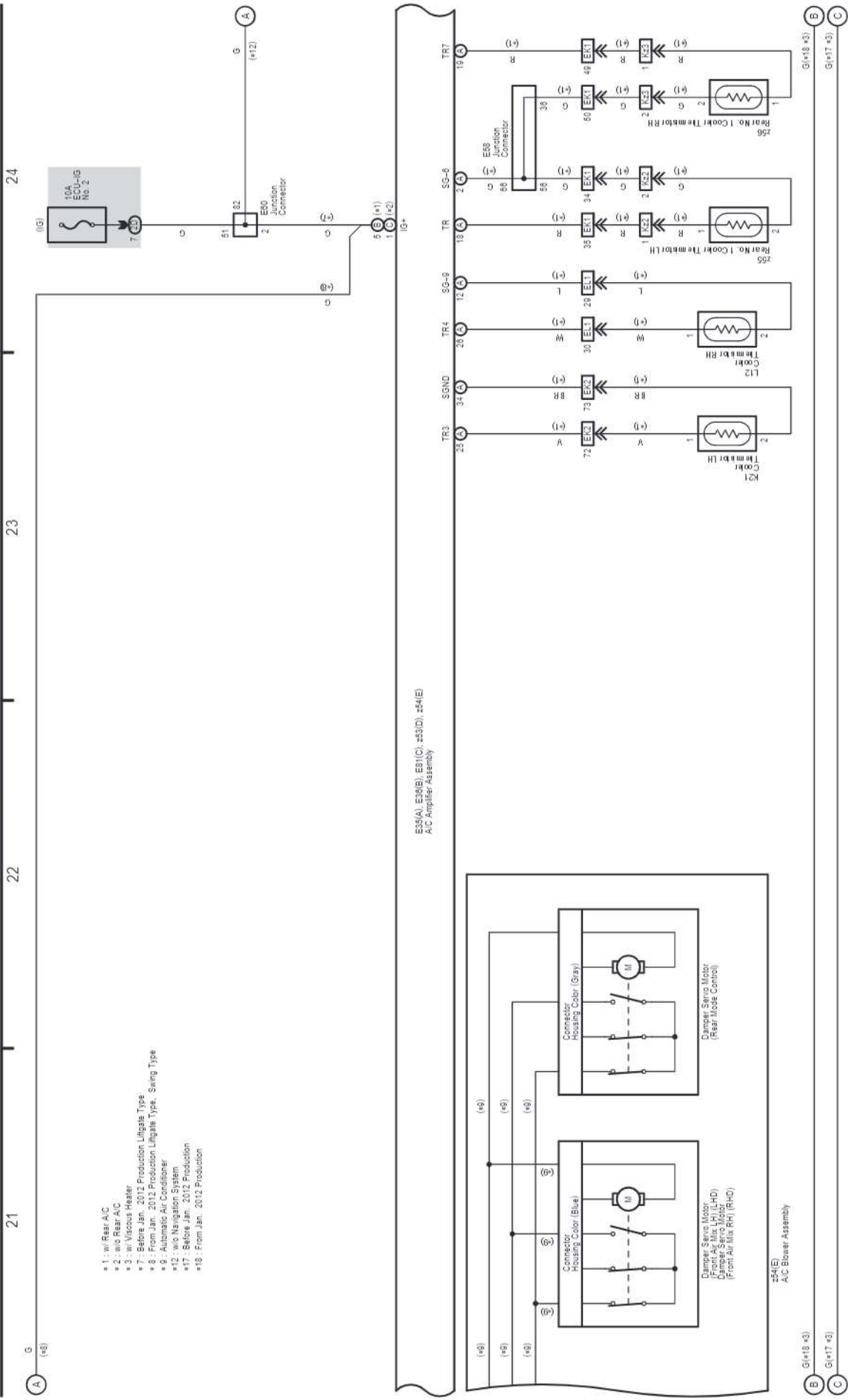
Air Conditioner (Before Jan. 2013 Production,  
From Jan. 2013 Production China)



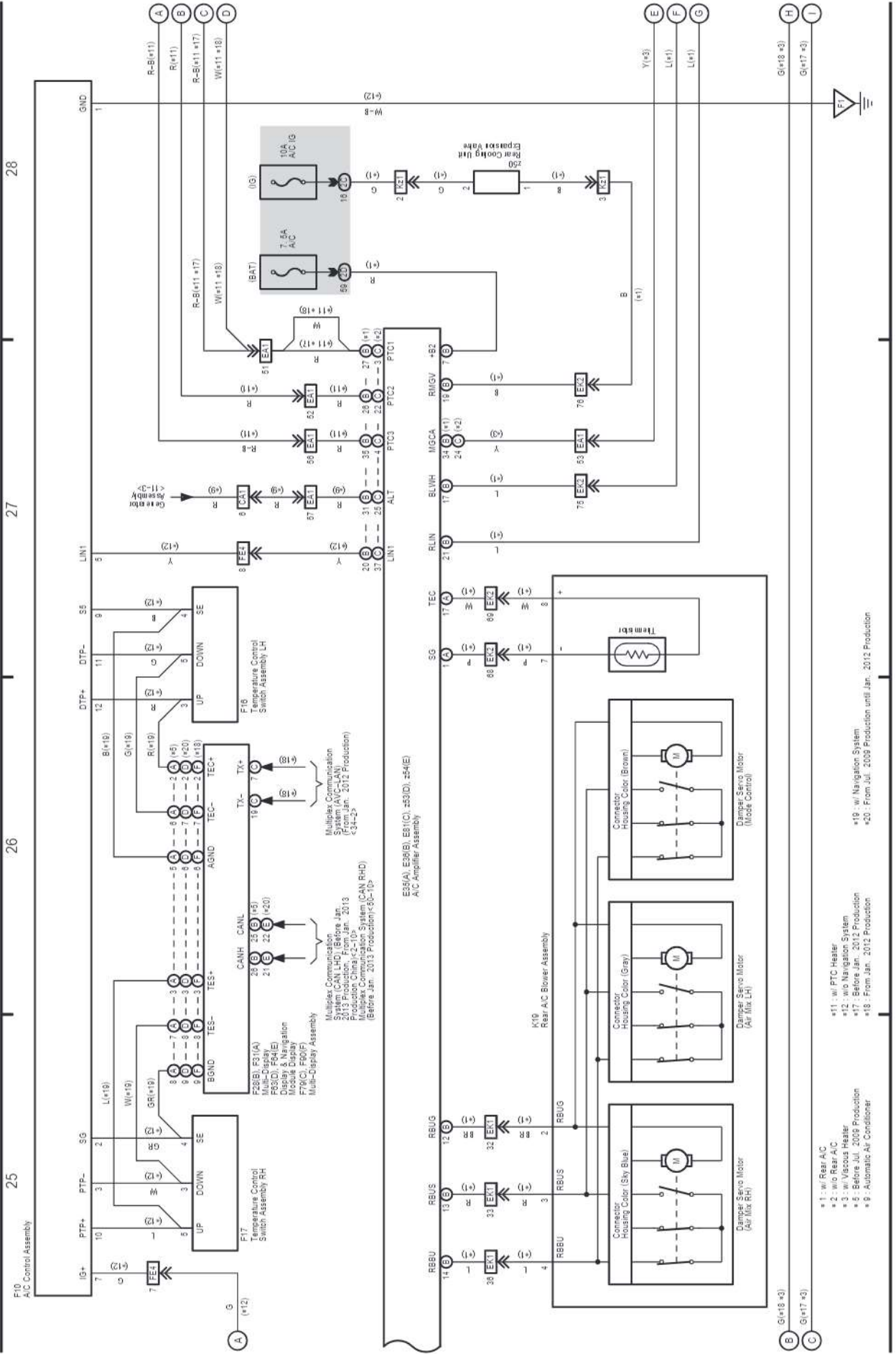
- \* 2 - w/o Rear A/C
- \* 3 - w/ Viscous Hyster
- \* 8 - From Jan. 2012 Production Liftgate Type, Swing Type
- \* 9 - Automatic Air Conditioner
- \* 17 - Before Jan. 2012 Production
- \* 18 - From Jan. 2012 Production



Air Conditioner (Before Jan. 2013 Production,  
From Jan. 2013 Production China)



Air Conditioner (Before Jan. 2013 Production,  
From Jan. 2013 Production China)

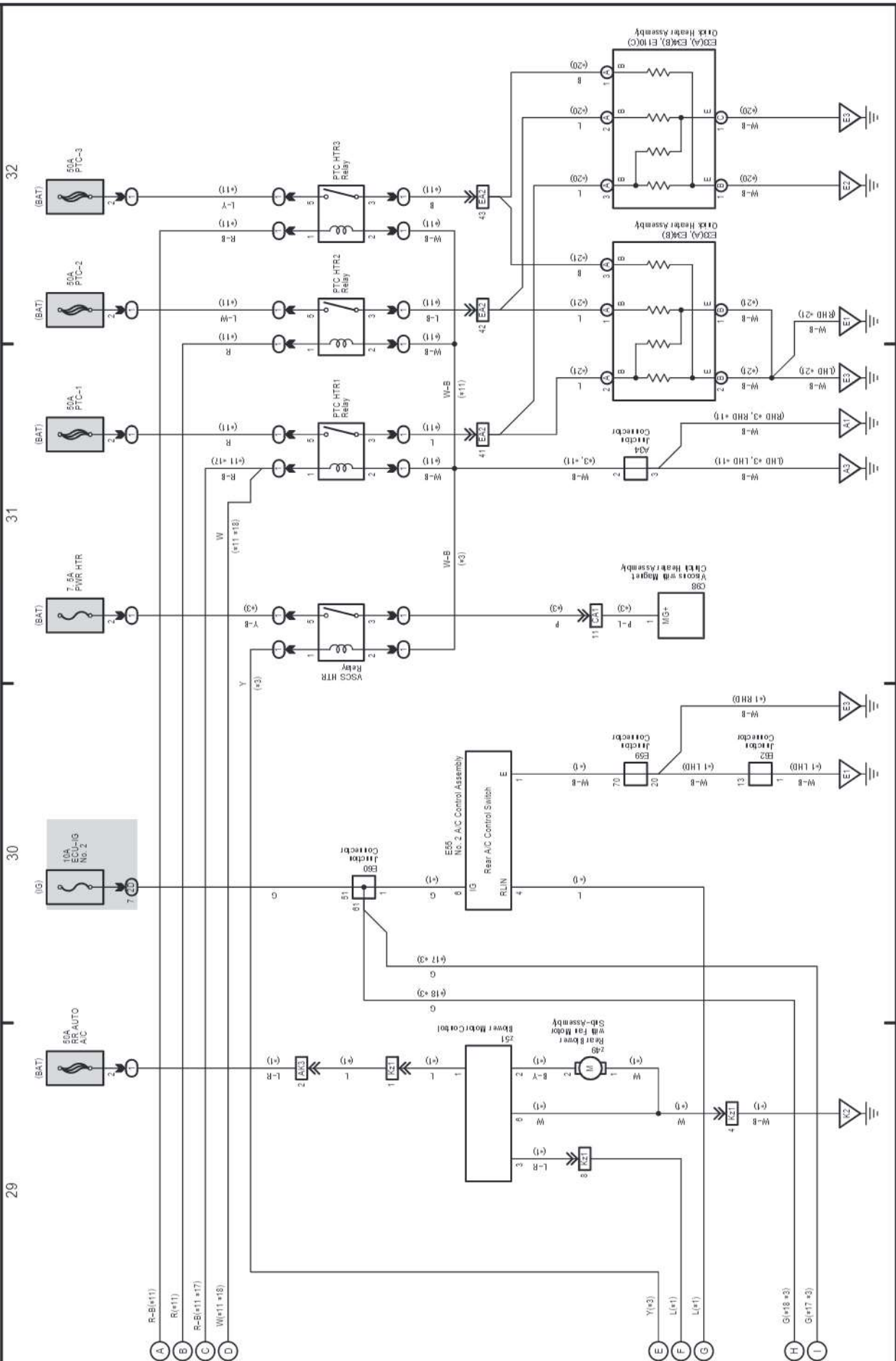


LAND CRUISER Station Wagon (EM22W1E)

\*1: w/ Rear A/C  
 \*2: w/ Rear A/C  
 \*3: w/ Viscous Heater  
 \*5: Before Jan. 2006 Production  
 \*9: Automatic Air Conditioner  
 \*11: w/ PTC Heater  
 \*12: w/ Navigation System  
 \*17: Before Jan. 2012 Production  
 \*18: From Jan. 2012 Production  
 \*19: w/ Navigation System  
 \*20: From Jul. 2009 Production until Jan. 2012 Production

Air Conditioner (Before Jan. 2013 Production, From Jan. 2013 Production China)

\*1: w/ Rear AC  
\*3: w/ Viscosa Heater  
\*11: w/ PTC Heater  
\*17: Before Jan. 2012 Production China 1GB-FE  
\*18: From Jan. 2012 Production  
\*20: w/ PTC Heater From Jan. 2012 Production China 1GB-FE  
\*21: w/ PTC Heater Except From Jan. 2012 Production China 1GB-FE





# M OVERALL ELECTRICAL WIRING DIAGRAM

45 LAND CRUISER Station Wagon

\*1: From Jan. 2013 Production Except China  
\*2: Before Jan. 2013 Production, Form Jan. 2013 Production China

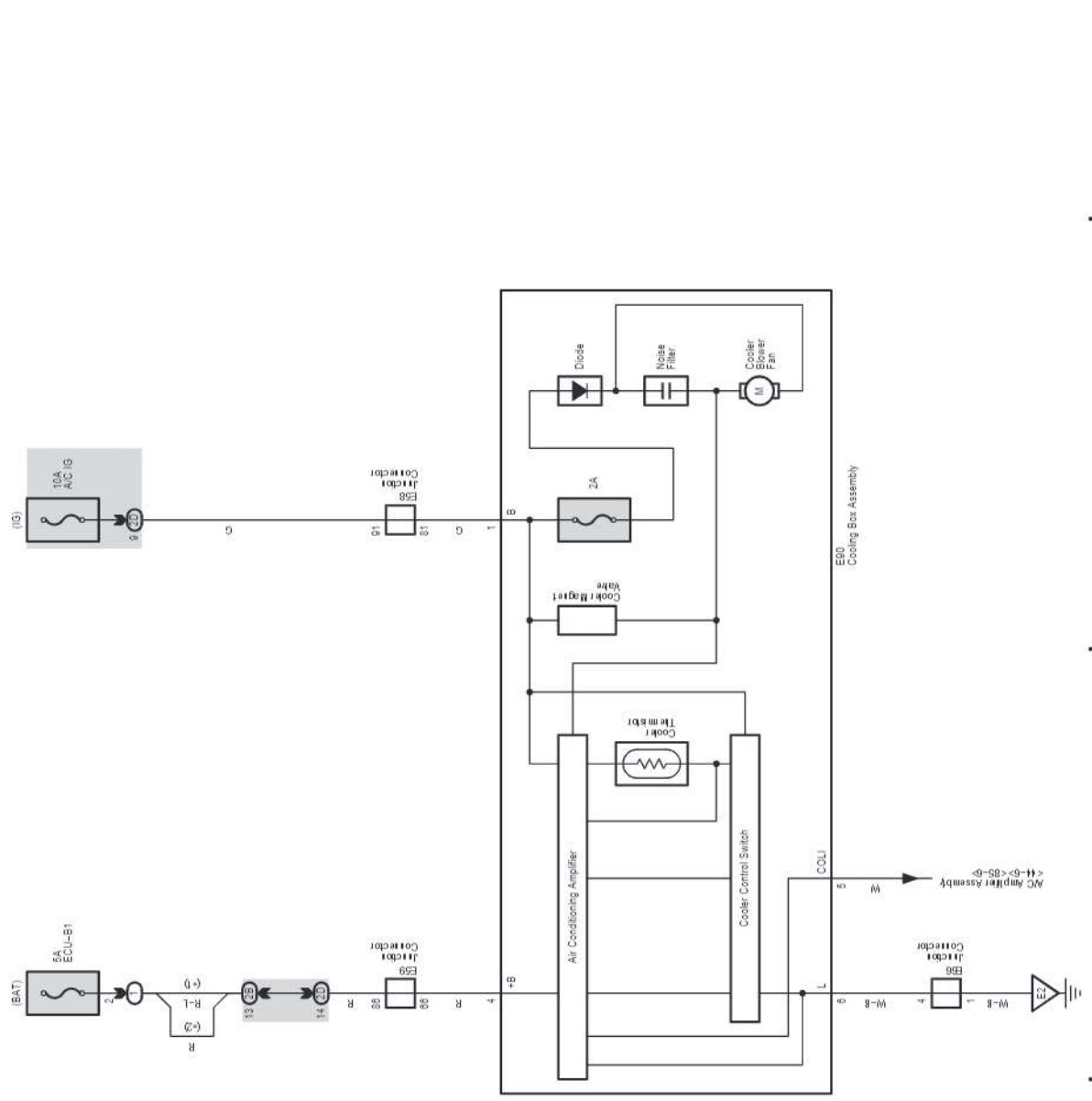
Cool Box

4

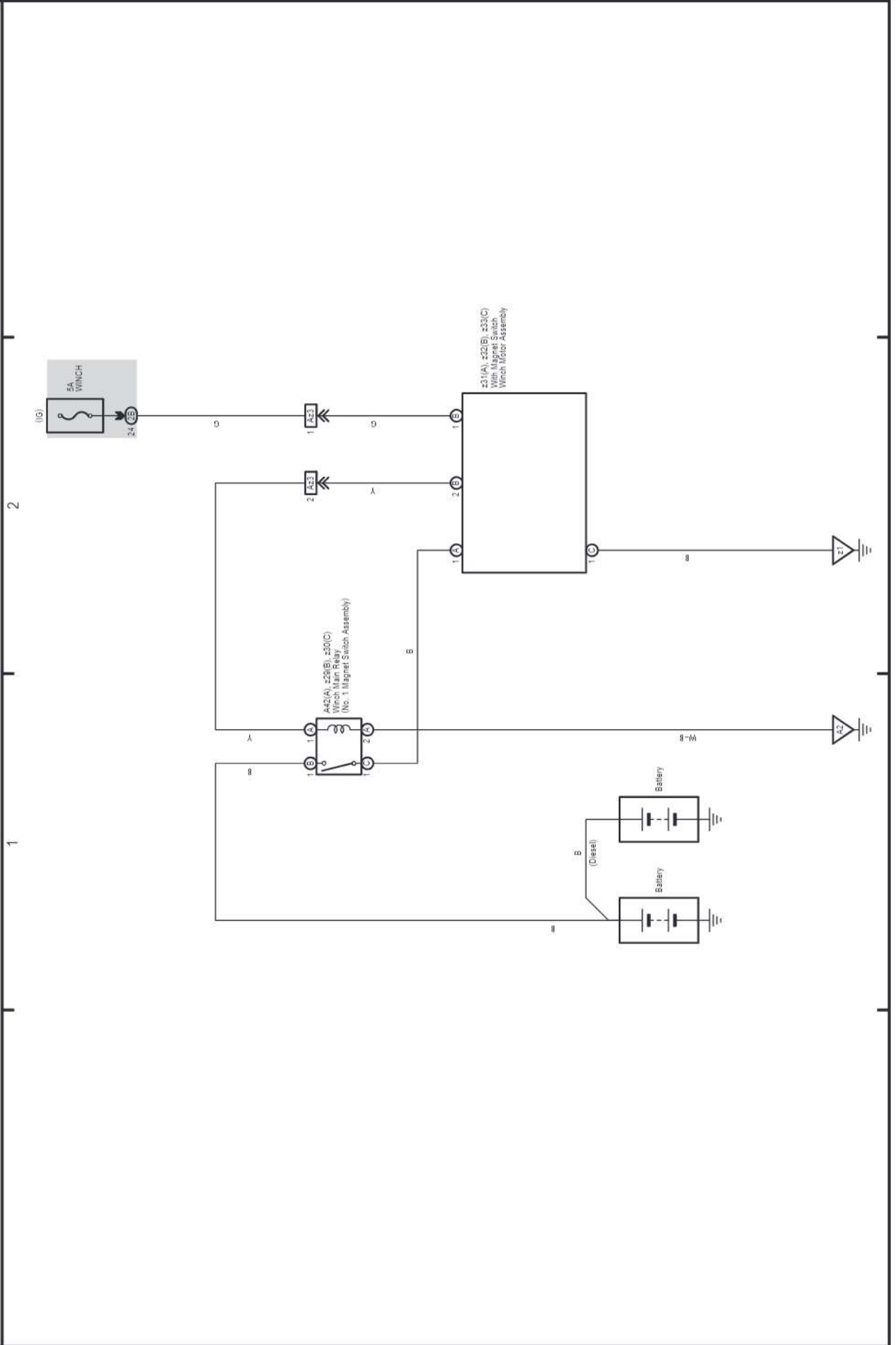
2

1

3



Winch

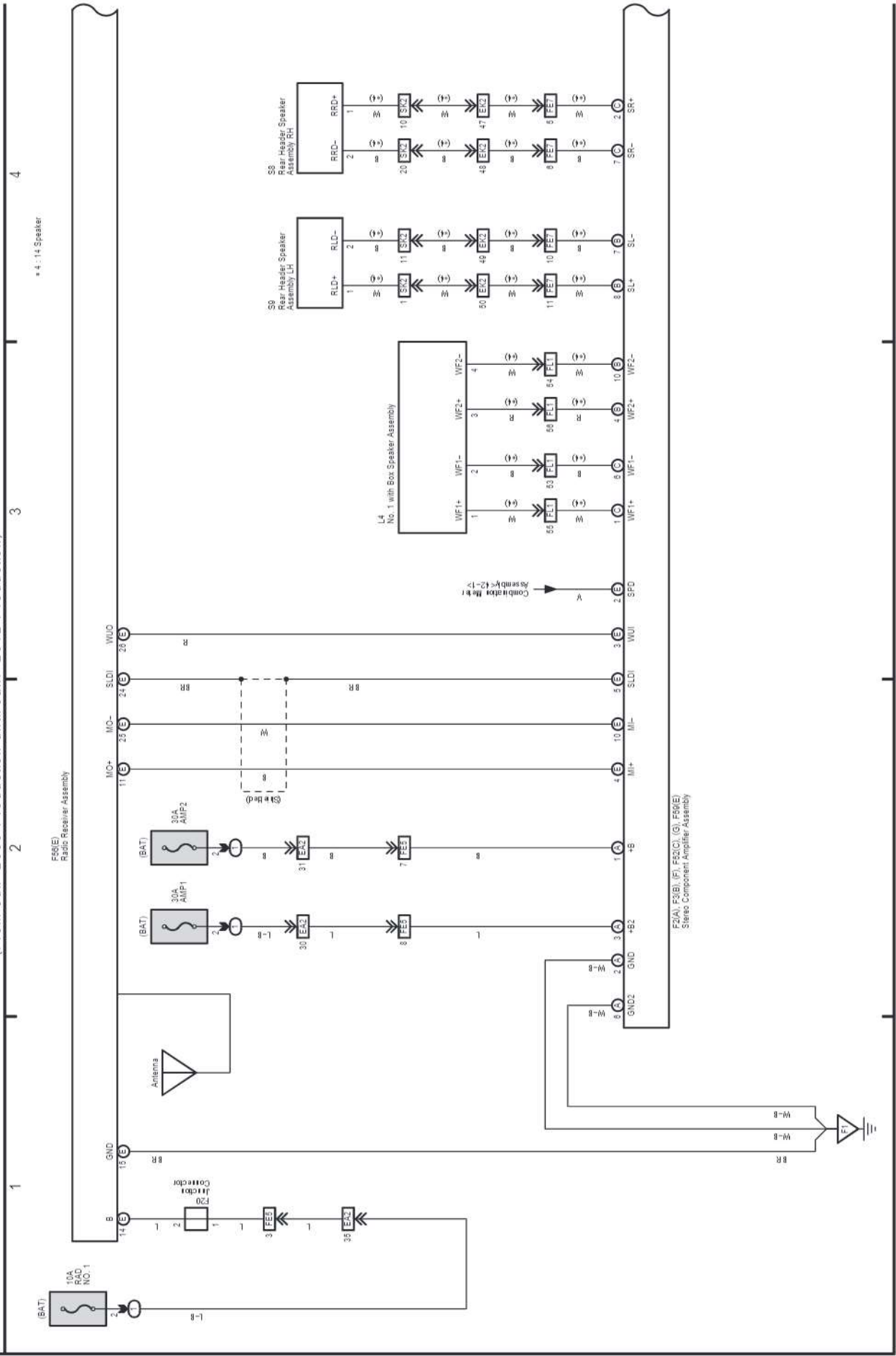


# M OVERALL ELECTRICAL WIRING DIAGRAM

(Cont. next page)

47 LAND CRUISER Station Wagon

Audio System (w/ Stereo Component Amplifier w/ Navigation System),  
Multi-Display, Navigation System and Parking Assist (Rear View Monitor)  
(From Jul. 2009 Production until Jan. 2012 Production)

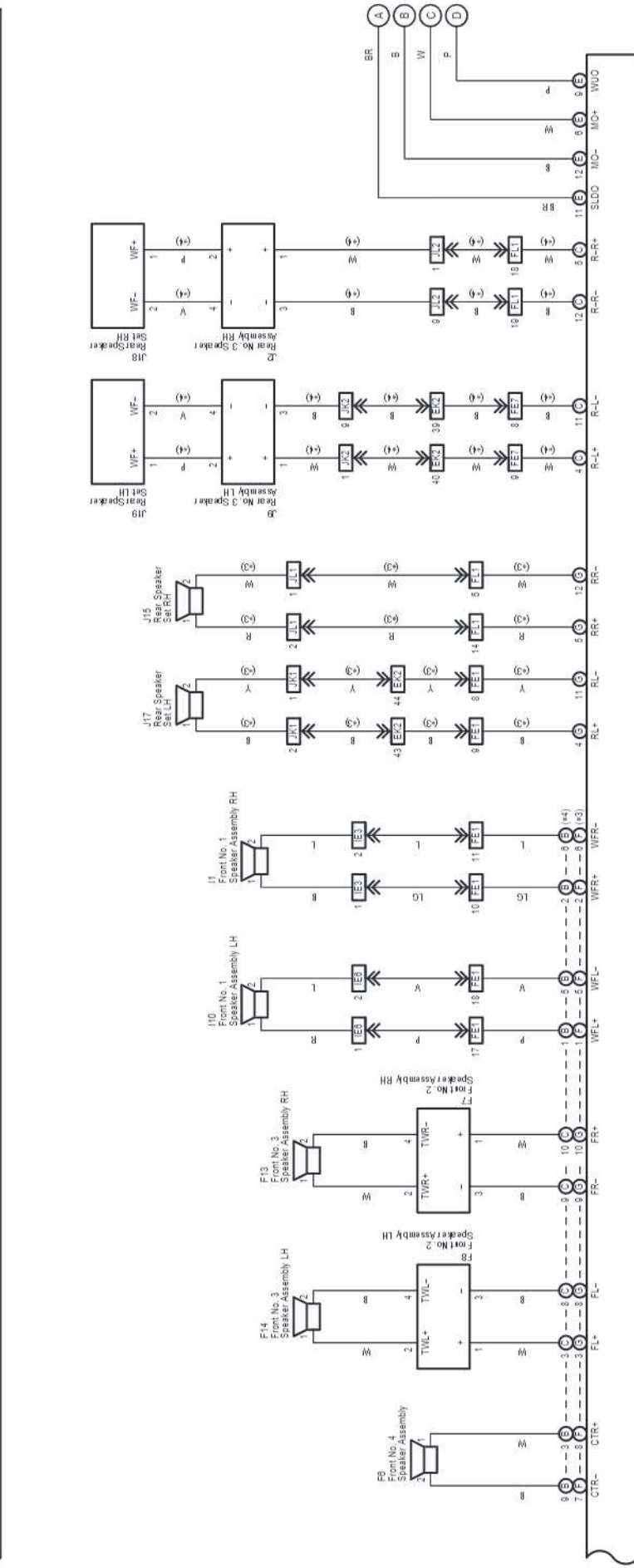


LAND CRUISER Station Wagon (EM22W1E)

Audio System (w/ Stereo Component Amplifier w/ Navigation System),  
Multi-Display, Navigation System and Parking Assist (Rear View Monitor)  
(From Jul. 2009 Production until Jan. 2012 Production)



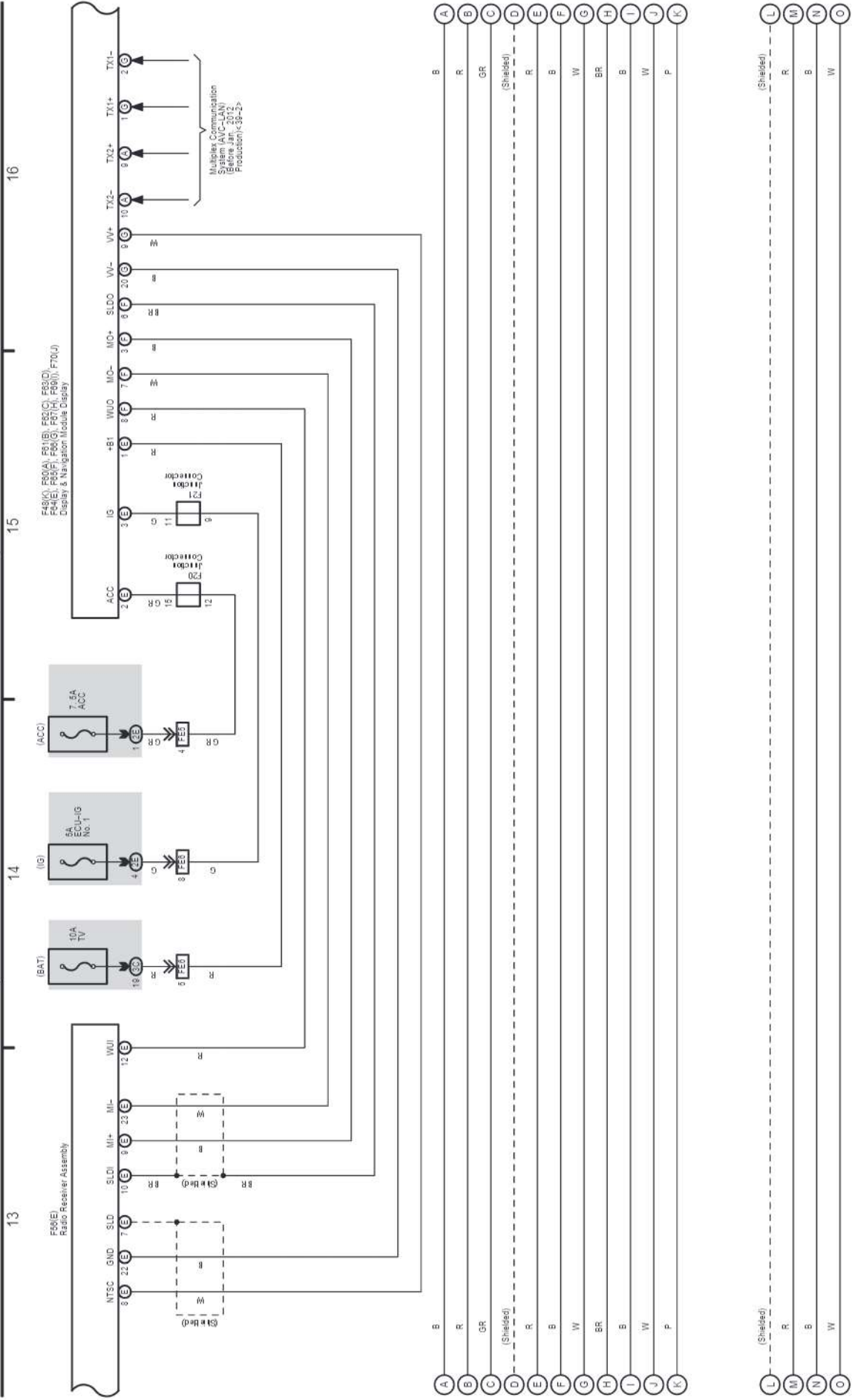
F60(E)  
Radio Receiver Assembly



F2(A), F3(B), (F), F2(C), (G), F3(E)  
Stereo Component Amplifier Assembly



Audio System (w/ Stereo Component Amplifier w/ Navigation System),  
Multi-Display, Navigation System and Parking Assist (Rear View Monitor)  
(From Jul. 2009 Production until Jan. 2012 Production)



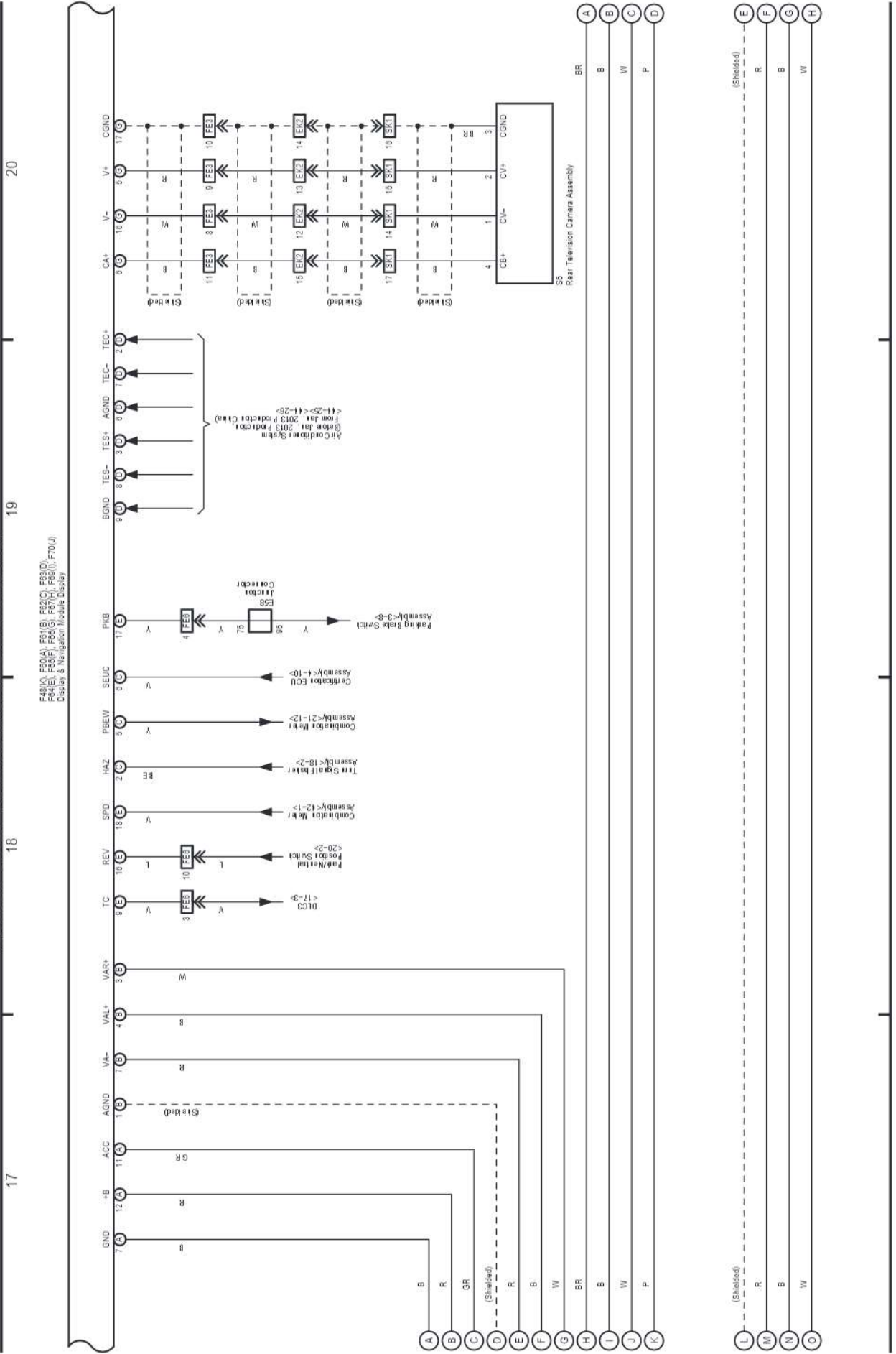


# M OVERALL ELECTRICAL WIRING DIAGRAM

47 LAND CRUISER Station Wagon (Cont' d)

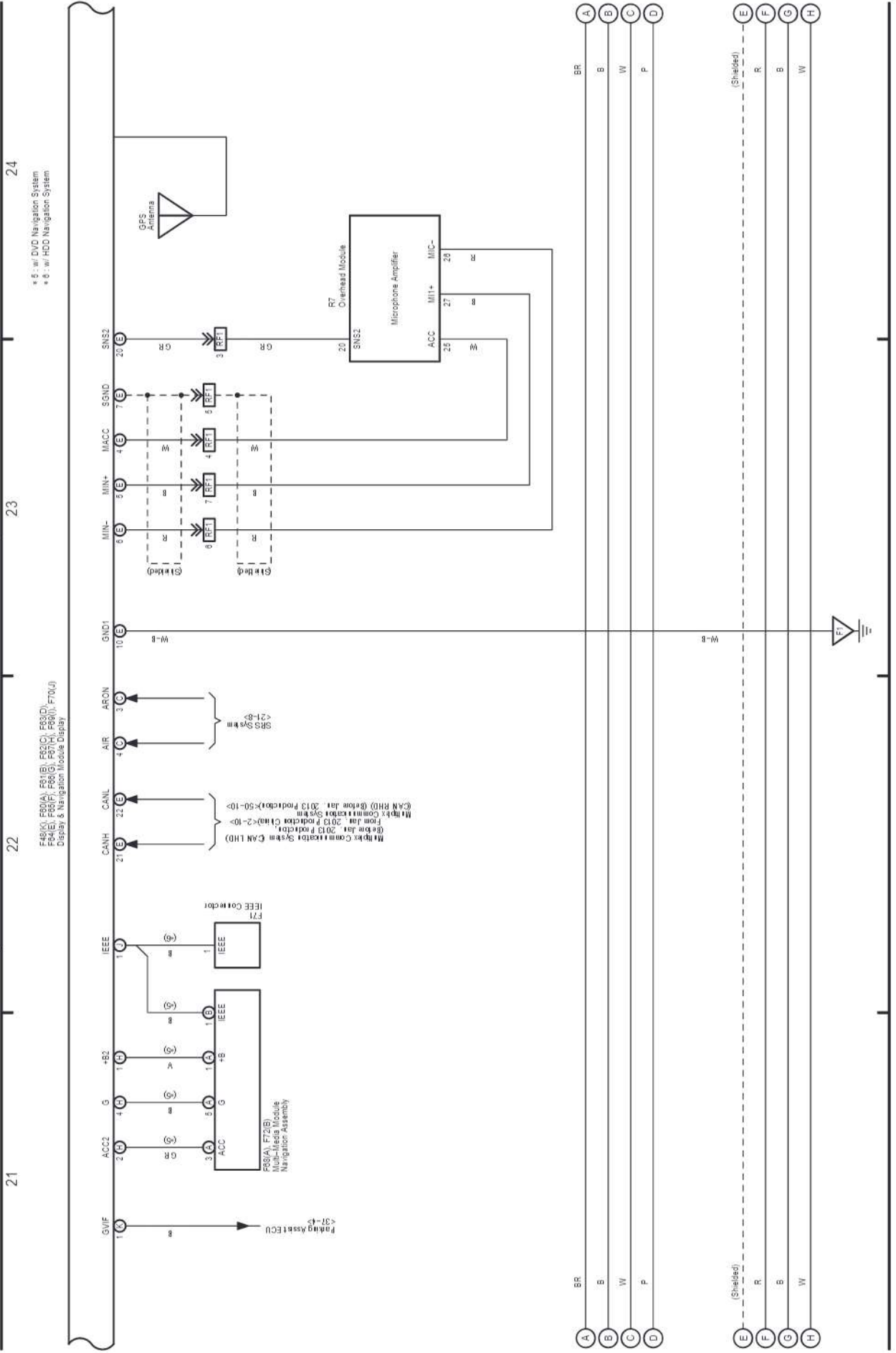
(Cont. next page)

Audio System (w/ Stereo Component Amplifier w/ Navigation System),  
Multi-Display, Navigation System and Parking Assist (Rear View Monitor)  
(From Jul. 2009 Production until Jan. 2012 Production)



LAND CRUISER Station Wagon (EM22W1E)

Audio System (w/ Stereo Component Amplifier w/ Navigation System),  
Multi-Display, Navigation System and Parking Assist (Rear View Monitor)  
(From Jul. 2009 Production until Jan. 2012 Production)

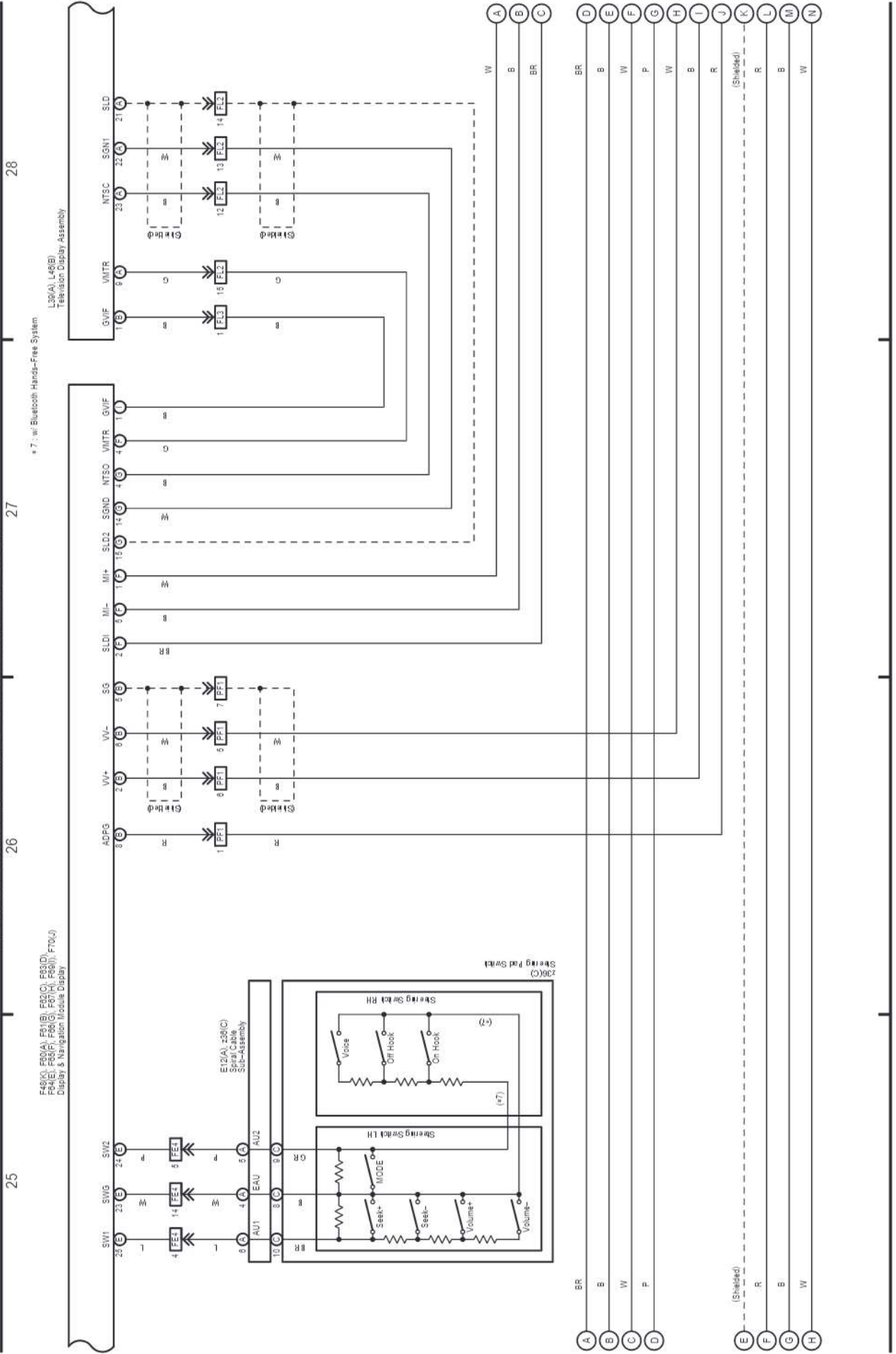


# M OVERALL ELECTRICAL WIRING DIAGRAM

47 LAND CRUISER Station Wagon (Cont' d)

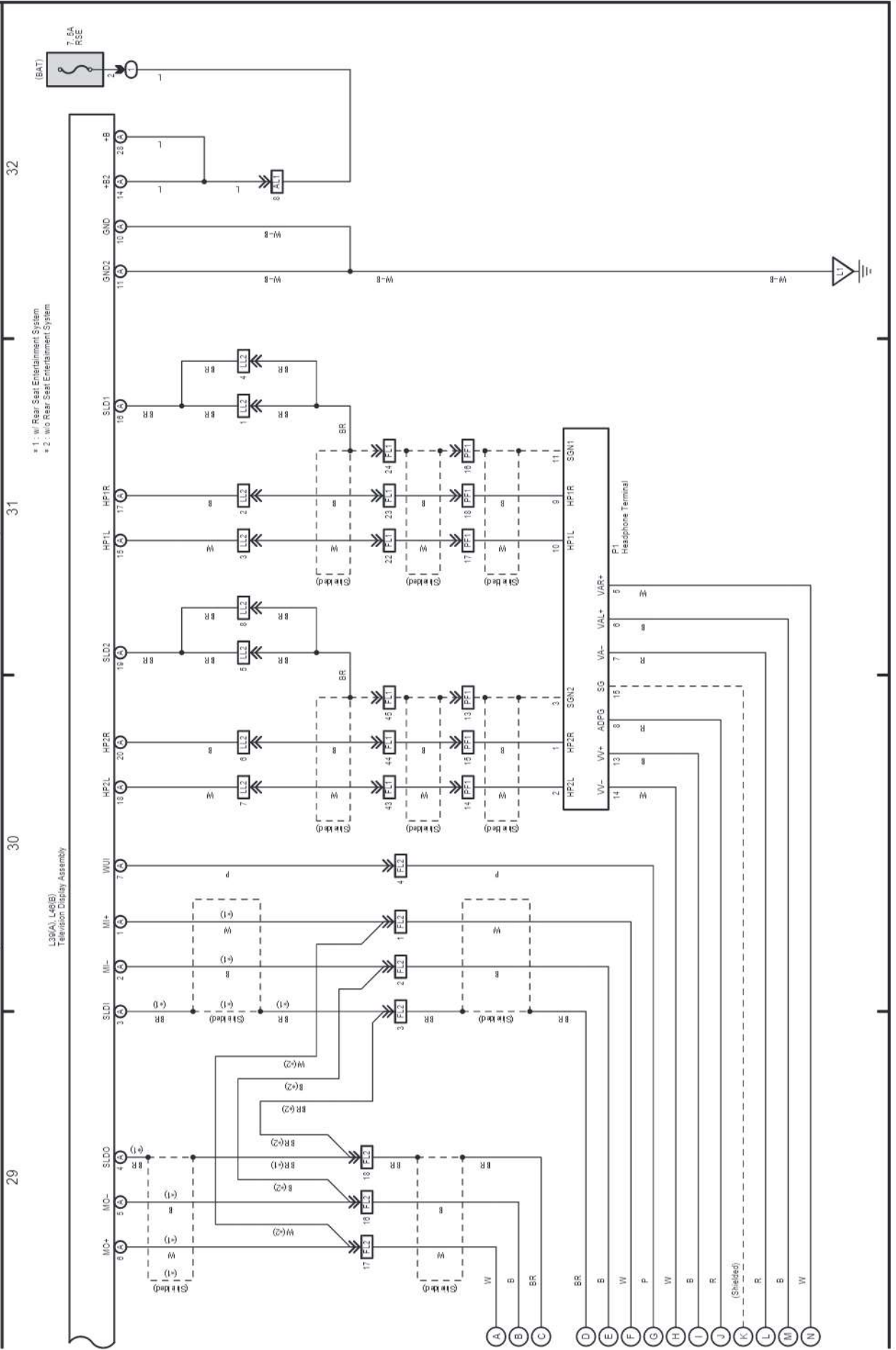
(Cont. next page)

Audio System (w/ Stereo Component Amplifier w/ Navigation System),  
Multi-Display, Navigation System and Parking Assist (Rear View Monitor)  
(From Jul. 2009 Production until Jan. 2012 Production)



47 LAND CRUISER Station Wagon (Cont' d)

Audio System (w/ Stereo Component Amplifier w/ Navigation System),  
Multi-Display, Navigation System and Parking Assist (Rear View Monitor)  
(From Jul. 2009 Production until Jan. 2012 Production)



32

31

30

29

\* 1 - w/ Rear Seat Entertainment System  
\* 2 - w/o Rear Seat Entertainment System

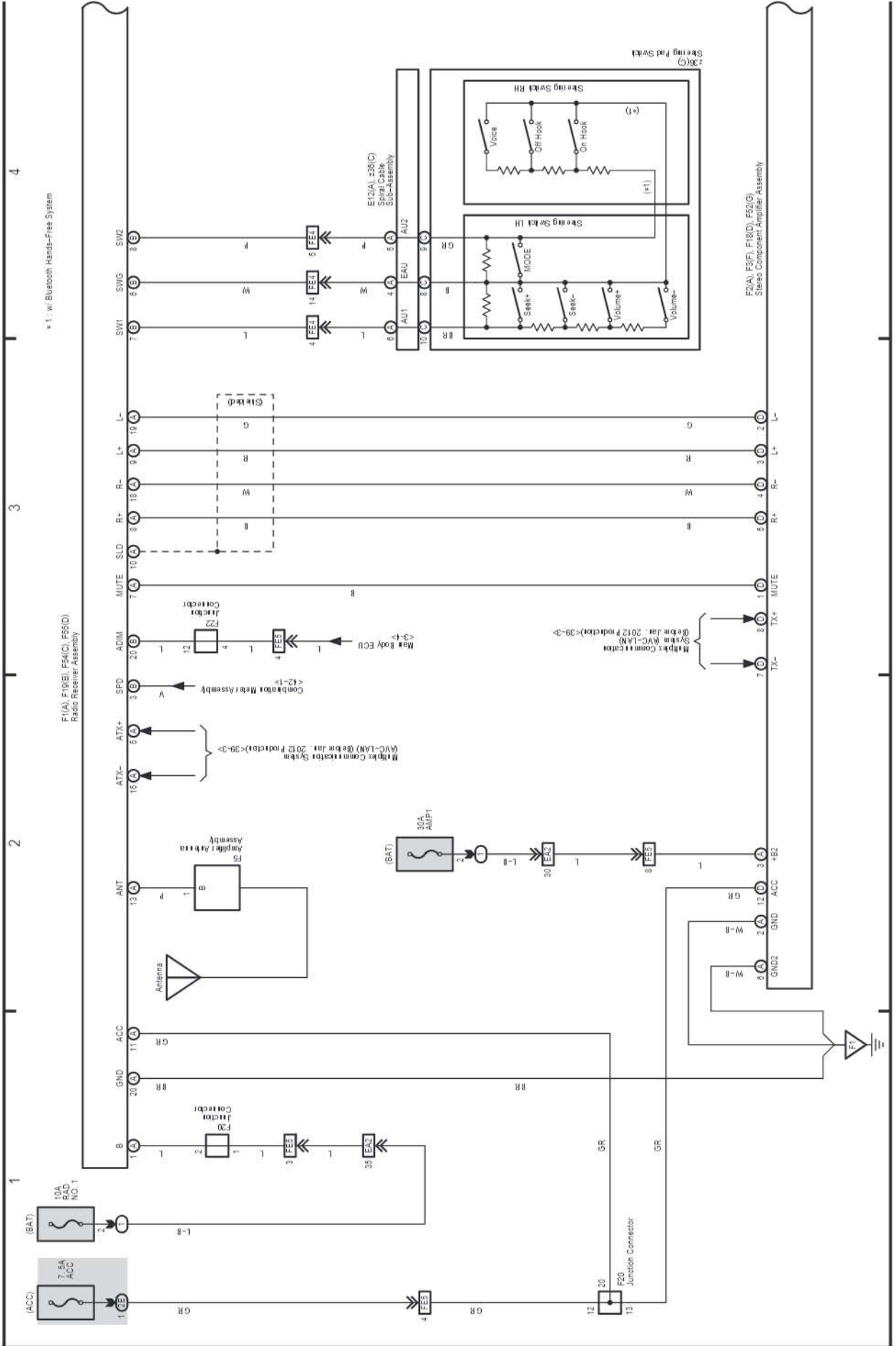
L39(A), L49(B)  
Television Display Assembly

# M OVERALL ELECTRICAL WIRING DIAGRAM

(Cont. next page)

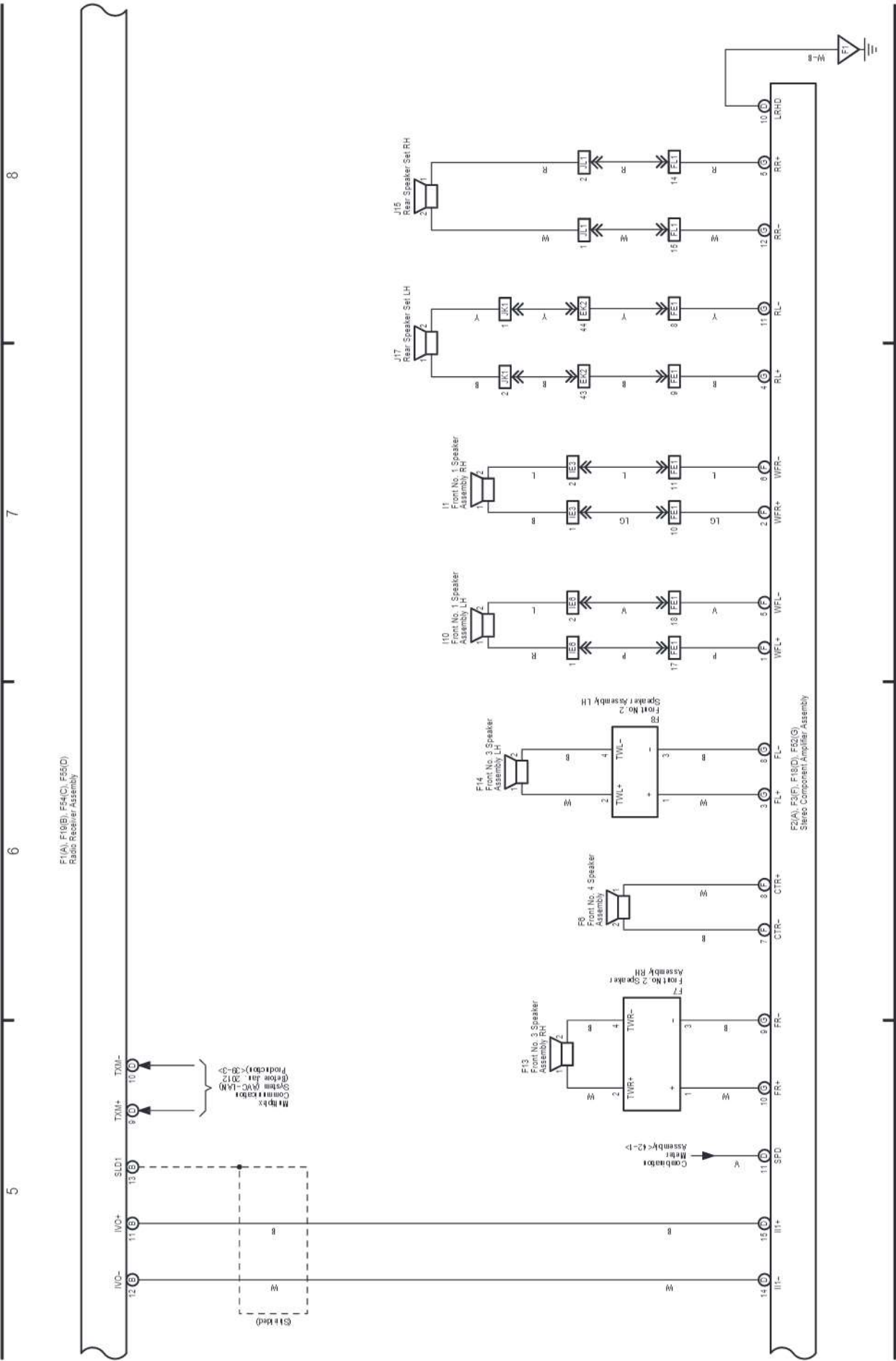
48 LAND CRUISER Station Wagon

Audio System (w/ Stereo Component Amplifier w/o Navigation System)  
(From Jul. 2009 Production until Jan. 2012 Production)



LAND CRUISER Station Wagon (EM22W1E)

Audio System (w/ Stereo Component Amplifier w/o Navigation System)  
 (From Jul. 2009 Production until Jan. 2012 Production)



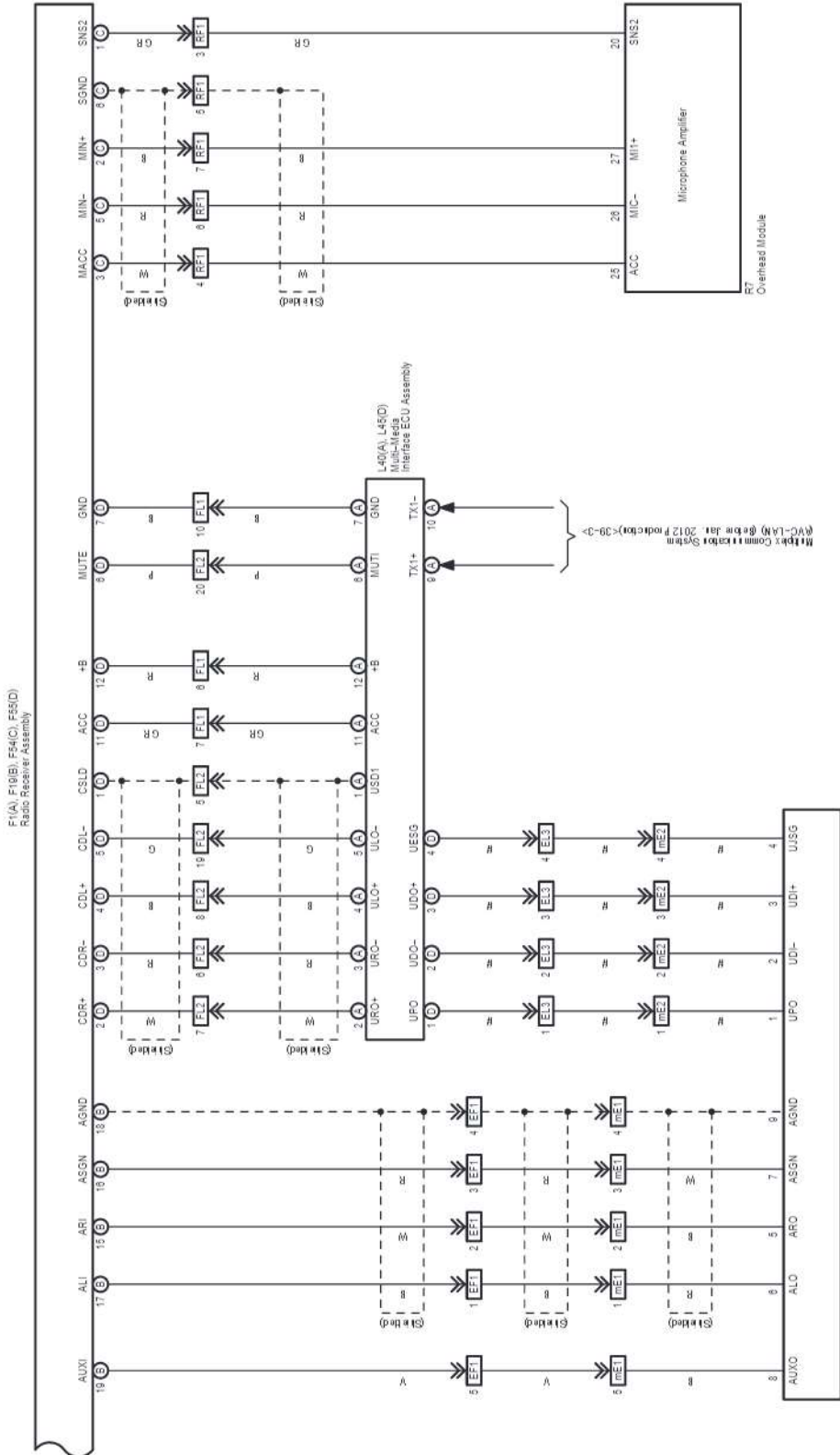


# M OVERALL ELECTRICAL WIRING DIAGRAM

## 48 LAND CRUISER Station Wagon (Cont' d)

Audio System (w/ Stereo Component Amplifier w/o Navigation System)  
(From Jul. 2009 Production until Jan. 2012 Production)

9 10 11 12



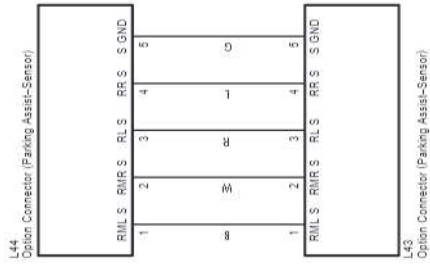
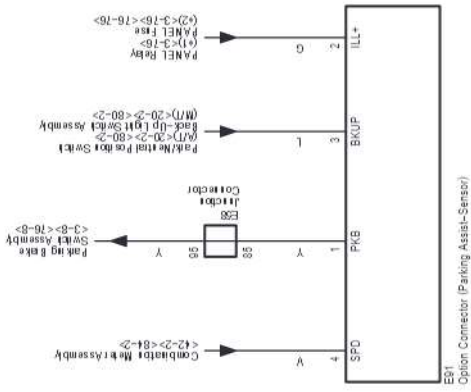
m1 No. 1 Stereo Jack Adapter Assembly

# : There is no wire color information.

49 LAND CRUISER Station Wagon

Option Connector (Parking Assist (TOYOTA Parking Assist-Sensor))

1 2 3 4



\* 1. Before Jan. 2012 Production w/ Daytime Running Light  
 \* 2. Before Jan. 2012 Production w/o Daytime Running Light. From Jan. 2012 Production

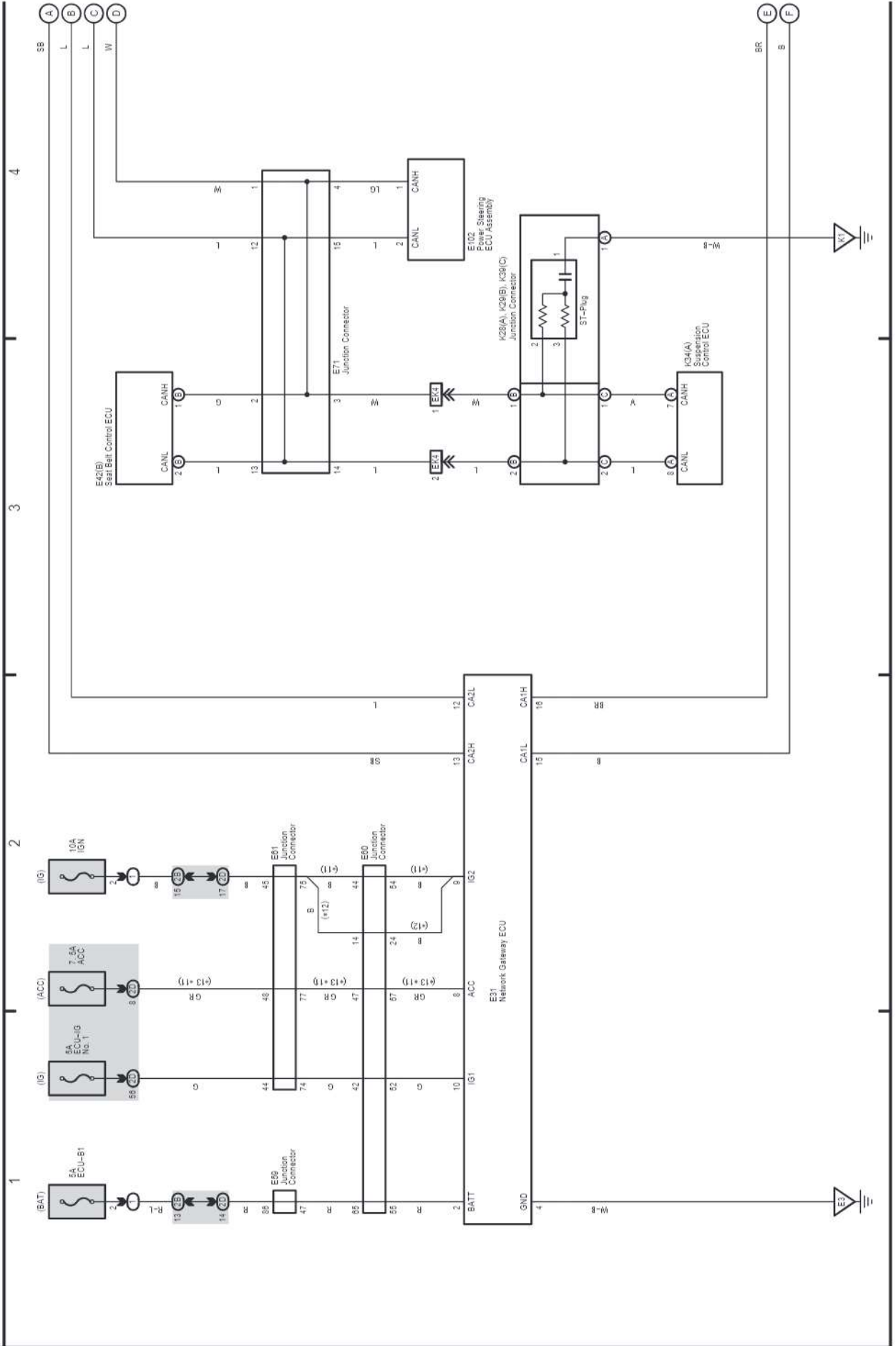
# M OVERALL ELECTRICAL WIRING DIAGRAM

(Cont. next page)

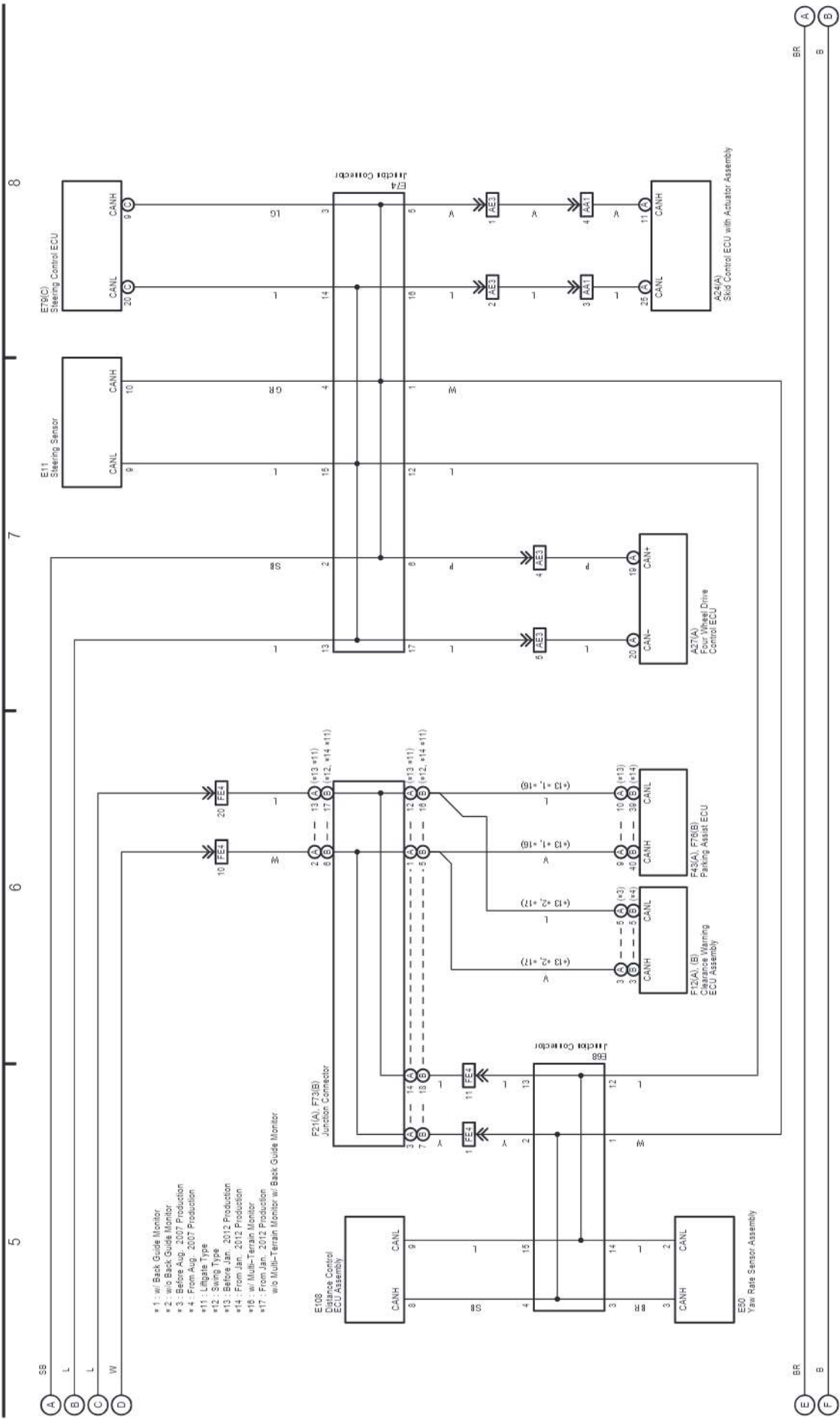
50 LAND CRUISER Station Wagon

\*11 : Liftgate Type  
\*12 : Swing Type  
\*13 : Before Jan. 2012 Production

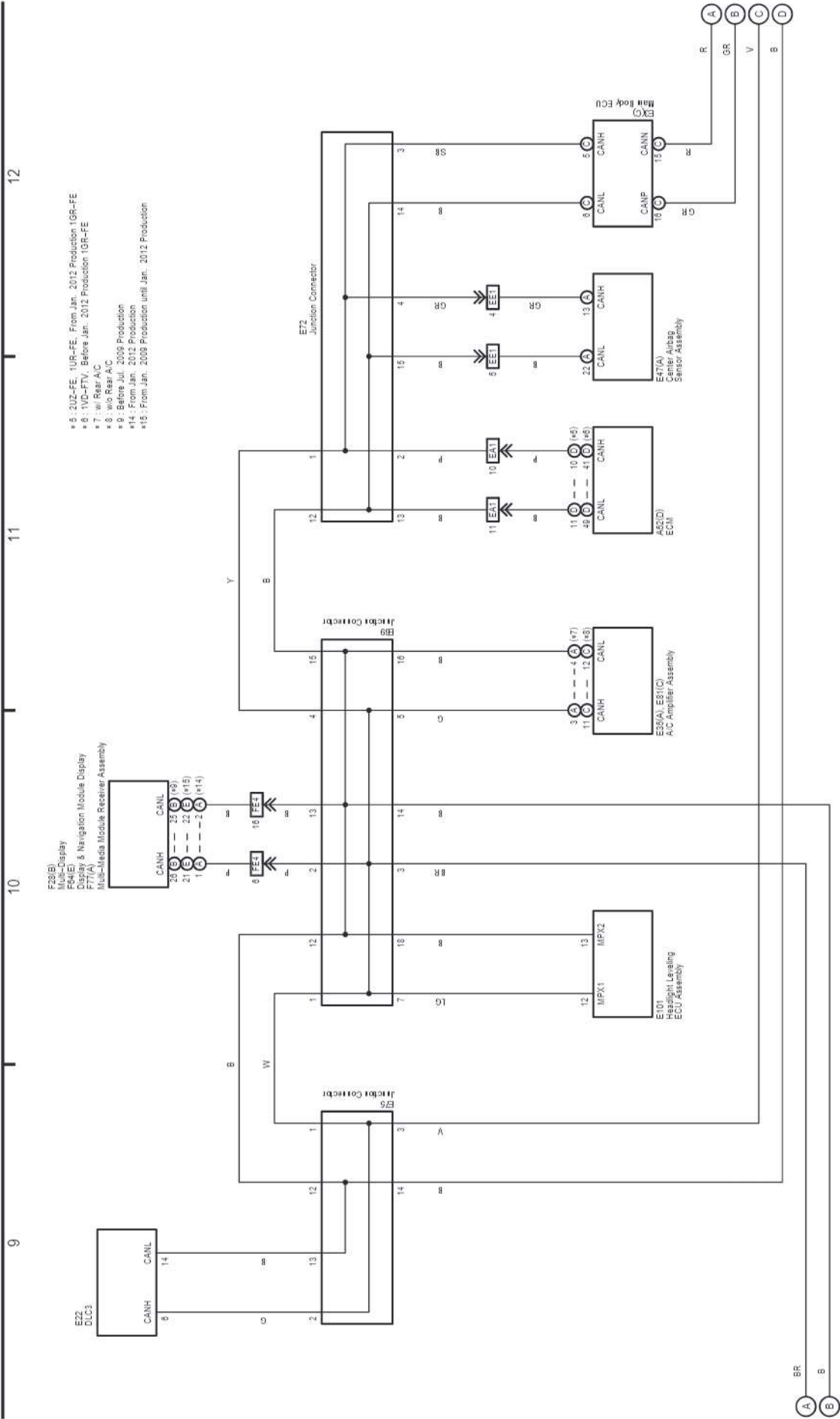
Multiplex Communication System (CAN RHD)  
(Before Jan. 2013 Production)



Multiplex Communication System (CAN RHD)  
(Before Jan. 2013 Production)



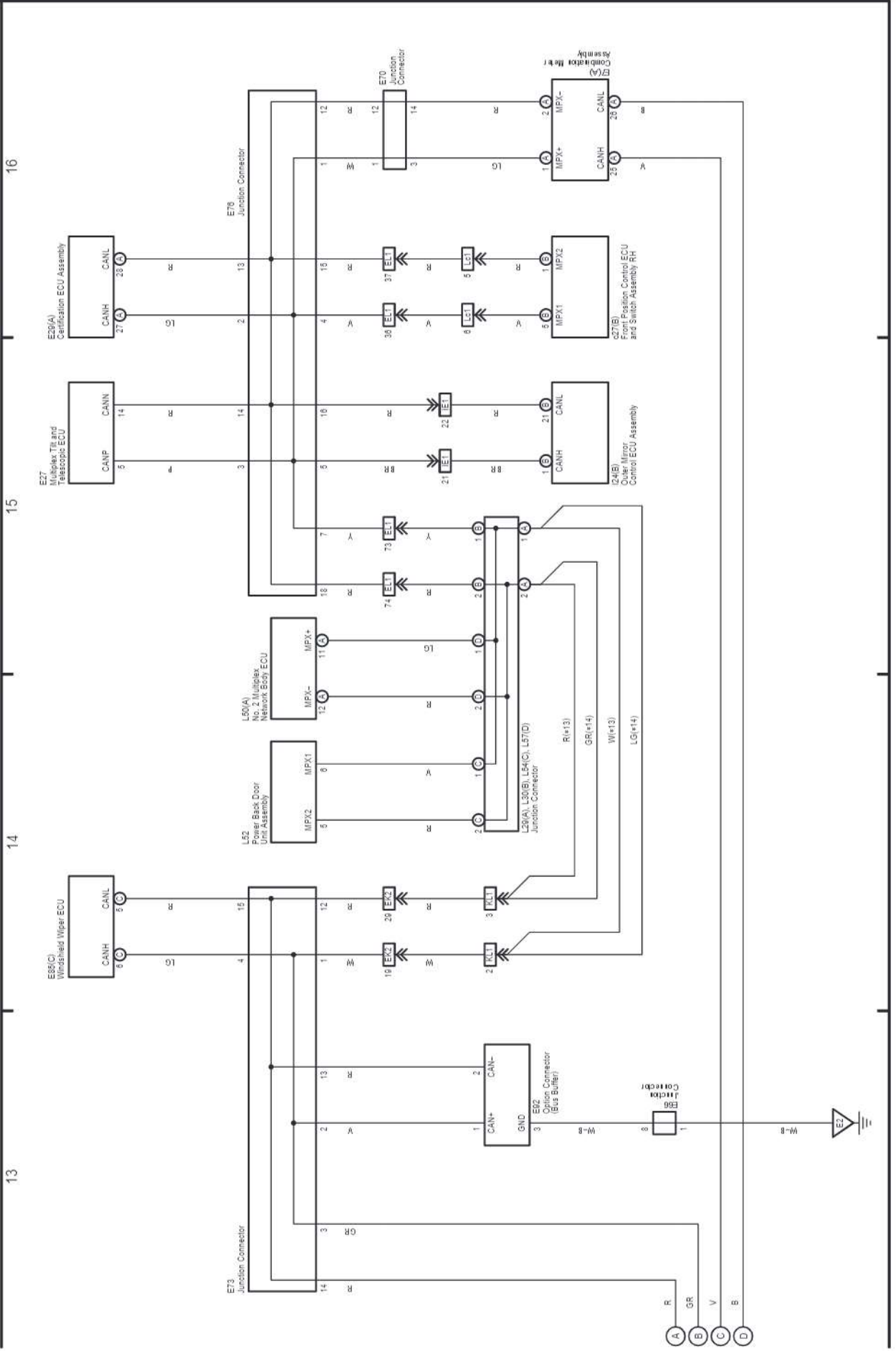
Multiplex Communication System (CAN RHD)  
(Before Jan. 2013 Production)



50 LAND CRUISER Station Wagon (Cont' d)

Multiplex Communication System (CAN RHD)  
(Before Jan. 2013 Production)

\*13 - Before Jan. 2012 Production  
\*14 - From Jan. 2012 Production

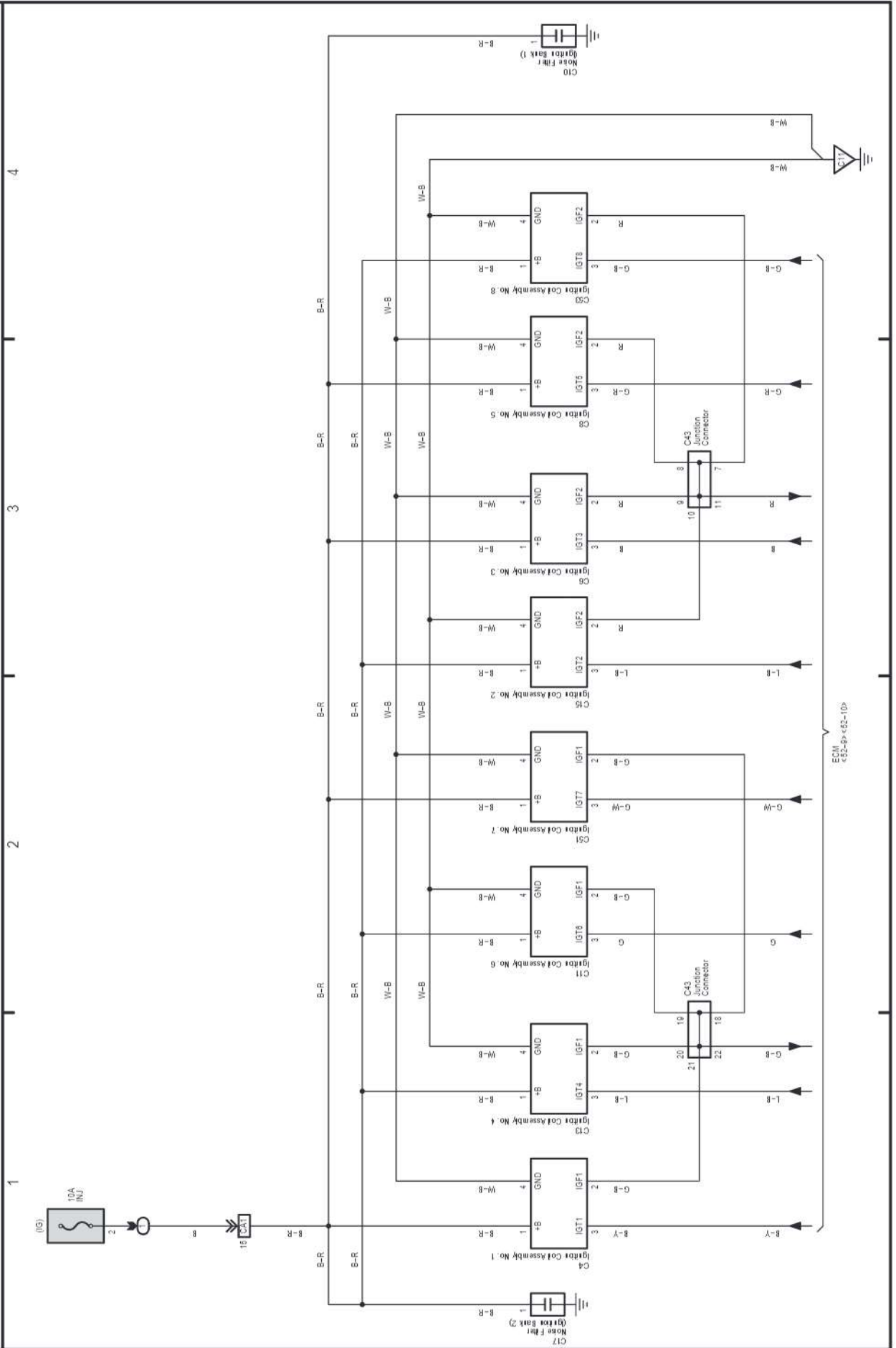




# M OVERALL ELECTRICAL WIRING DIAGRAM

51 LAND CRUISER Station Wagon

Ignition (3UR-FE)



LAND CRUISER Station Wagon (EM22W1E)

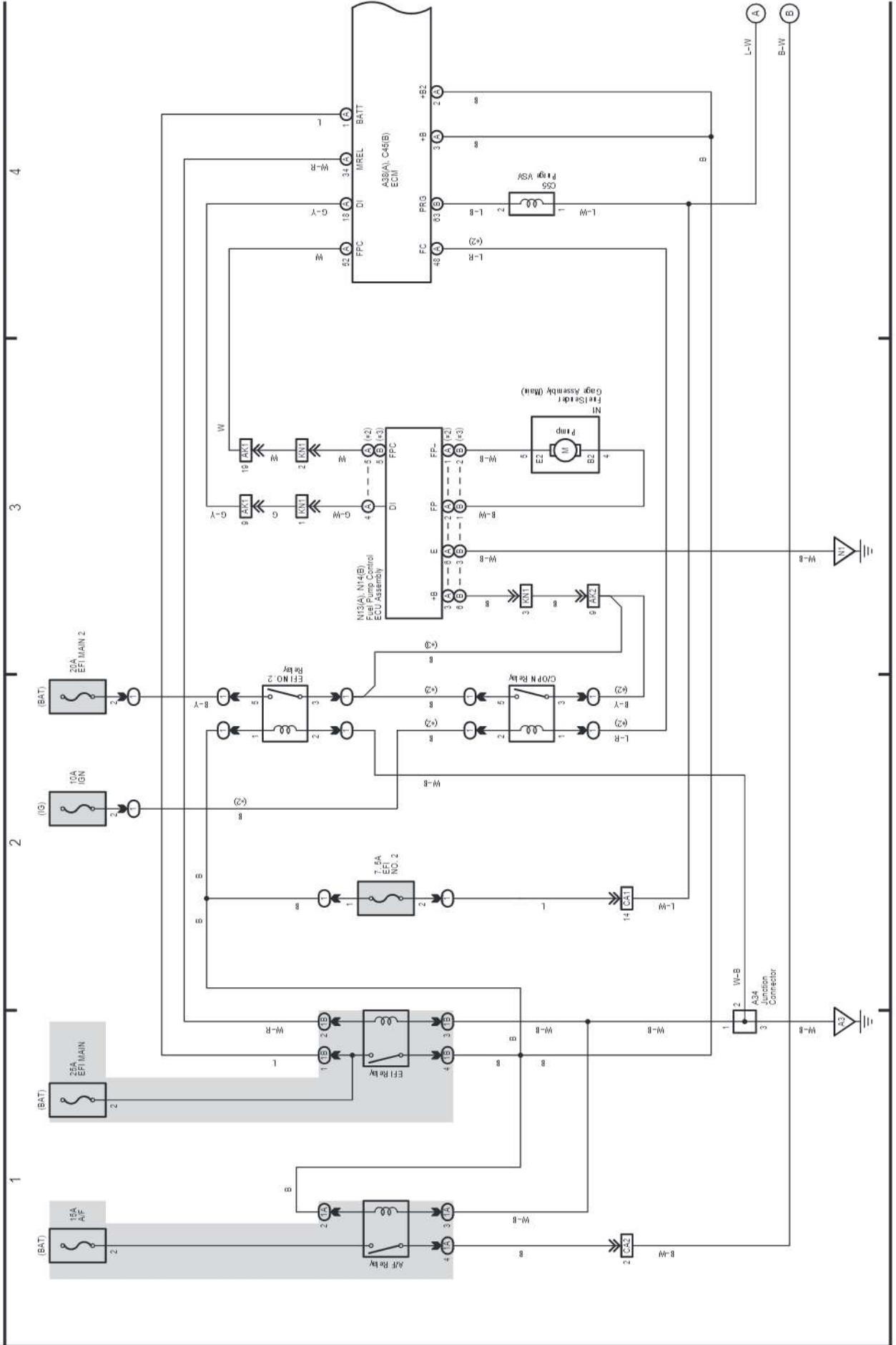
# M OVERALL ELECTRICAL WIRING DIAGRAM

(Cont. next page)

52 LAND CRUISER Station Wagon

Engine Control (3UR-FE) (Before Jan. 2013 Production)

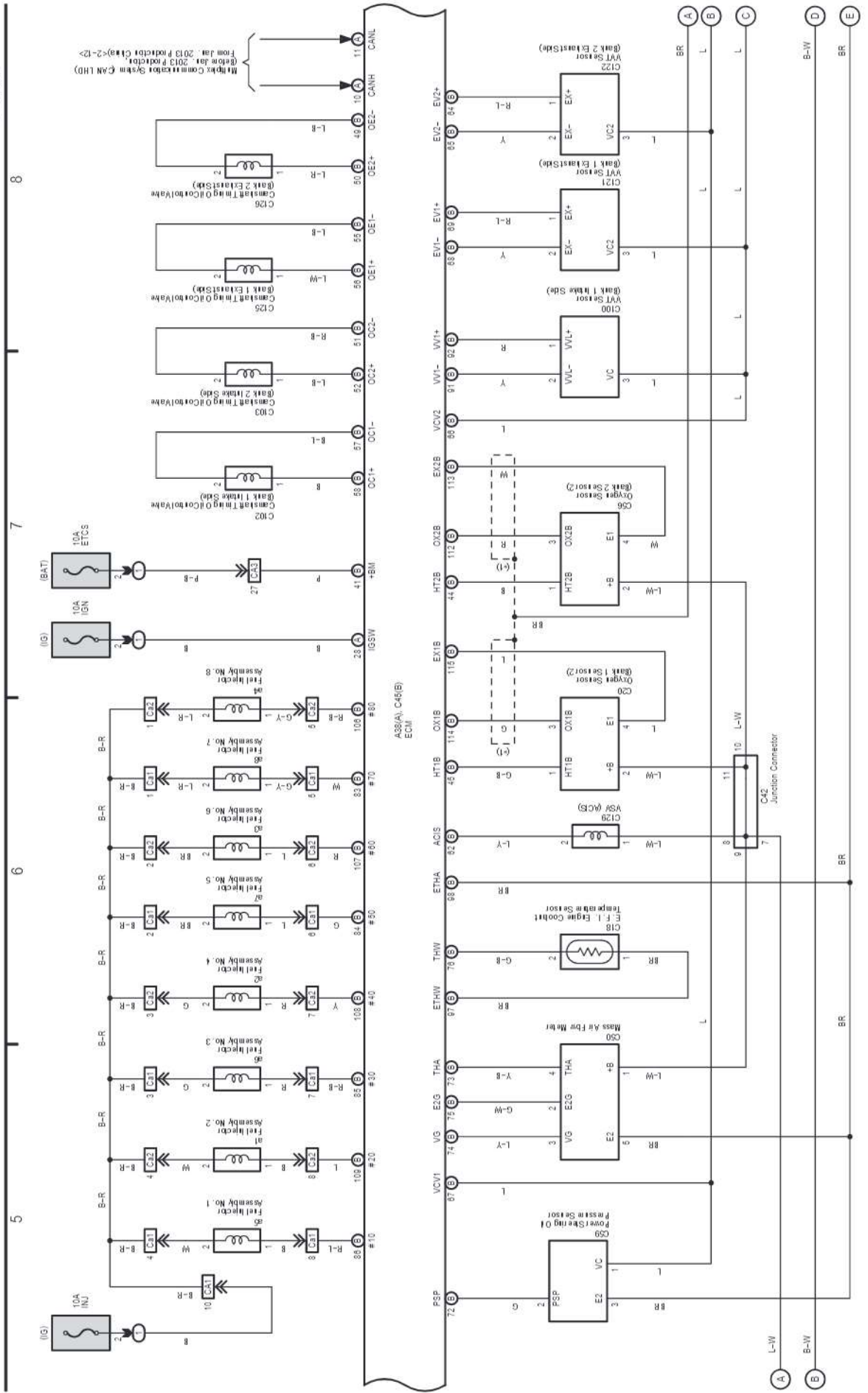
\* 2 : Before Jan. 2012 Production  
\* 3 : From Jan. 2012 Production



LAND CRUISER Station Wagon (EM22W1E)

Engine Control (3UR-FE) (Before Jan. 2013 Production)

#1 - Shielded



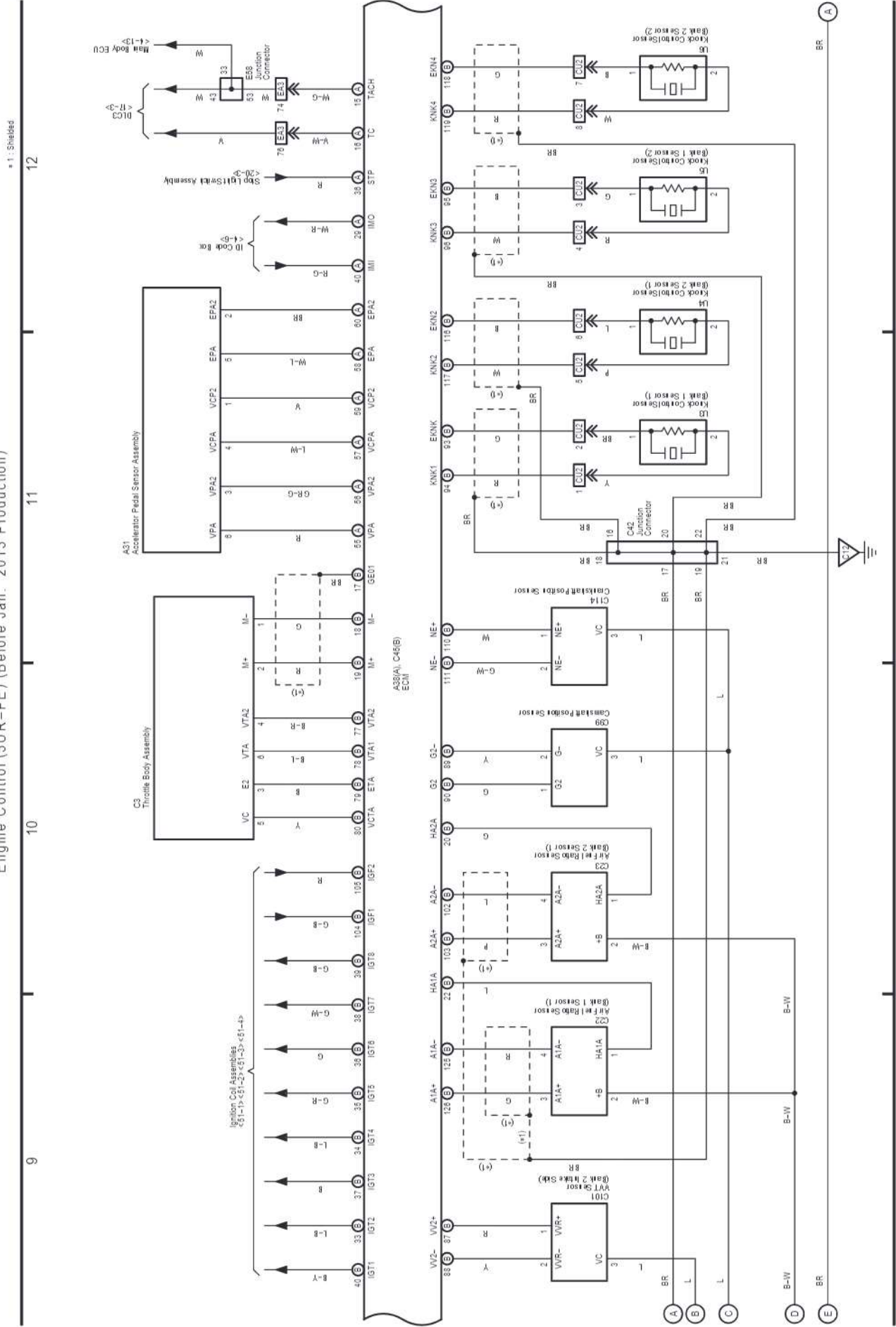
LAND CRUISER Station Wagon (EM22W1E)

# M OVERALL ELECTRICAL WIRING DIAGRAM

52 LAND CRUISER Station Wagon (Cont' d)

(Cont. next page)

Engine Control (3UR-FE) (Before Jan. 2013 Production)



Engine Control (3UR-FE)  
(Before Jan. 2013 Production)

ECT and A/T Indicator (3UR-FE)  
(Before Jan. 2013 Production)

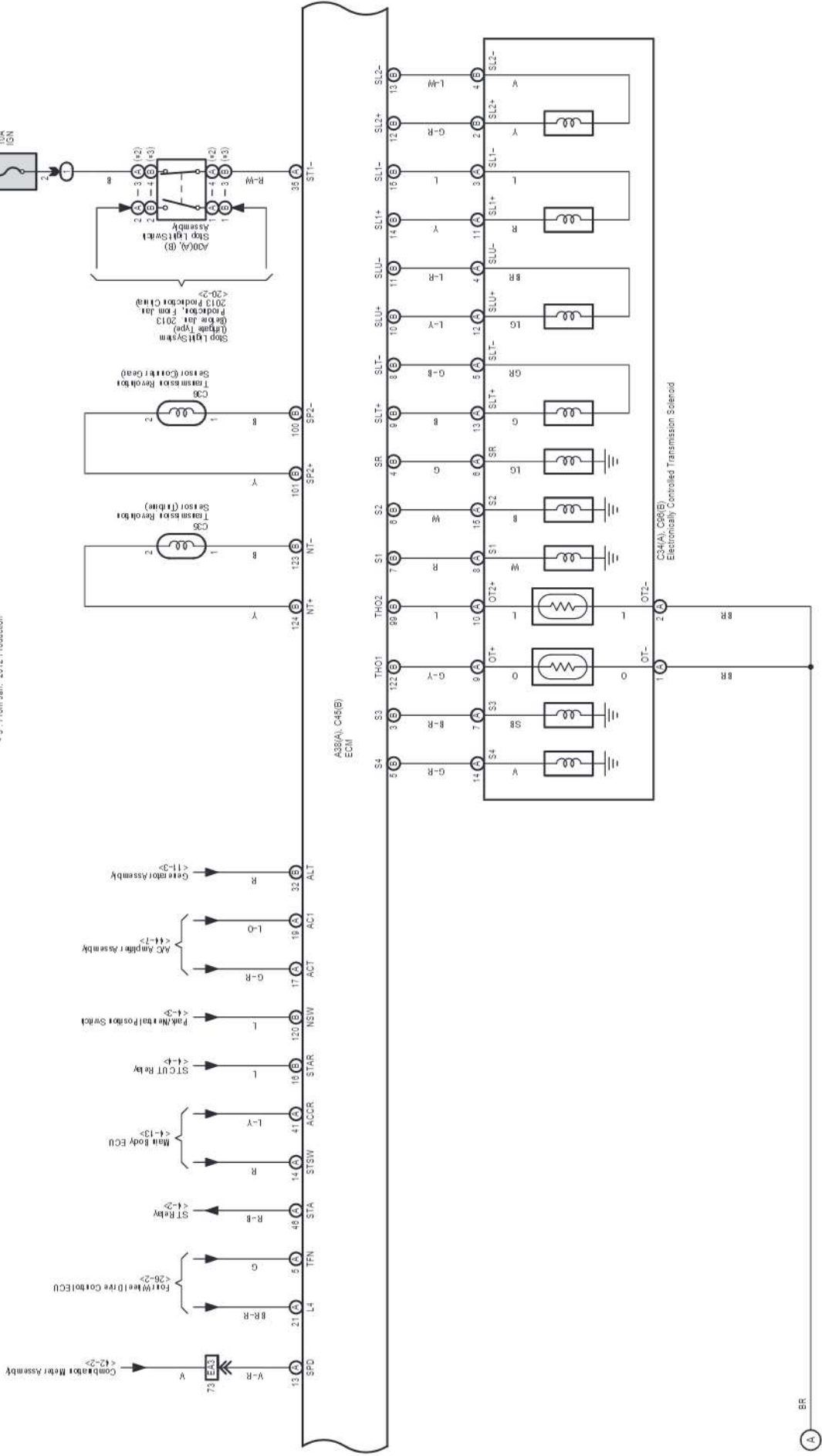
13

14

15

16

\* 2: Before Jan. 2012 Production  
\* 3: From Jan. 2012 Production



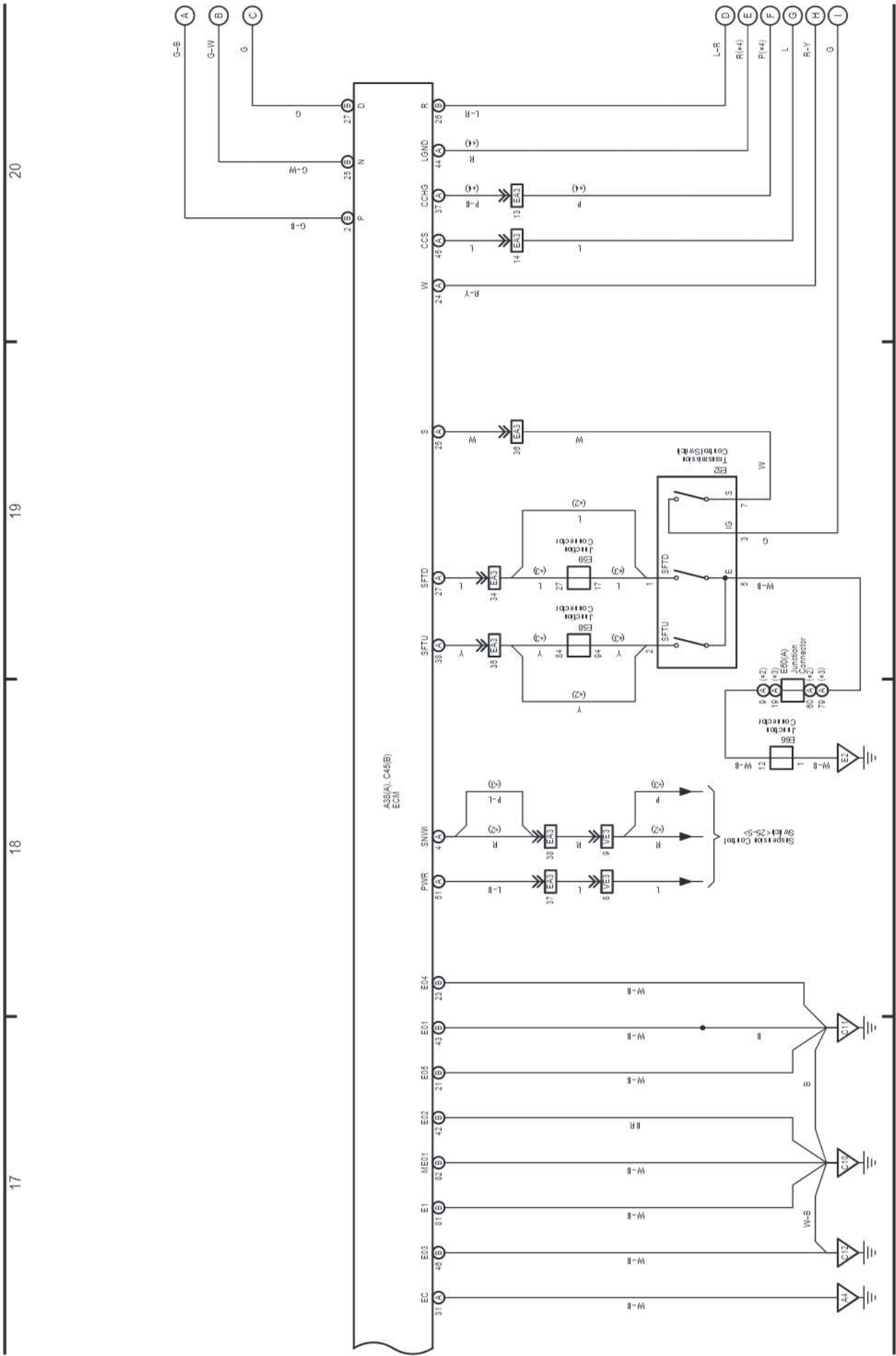
# M OVERALL ELECTRICAL WIRING DIAGRAM

52 LAND CRUISER Station Wagon (Cont' d)

(Cont. next page)

\* 2: Before Jan. 2012 Production  
\* 3: Form Jan. 2012 Production  
\* 4: w/ Dynamic Radar Cruise Control

ECT and A/T Indicator (3UR-FE)  
(Before Jan. 2013 Production)



LAND CRUISER Station Wagon (EM22W1E)



ECT and A/T Indicator (3UR-FE)  
(Before Jan. 2013 Production)

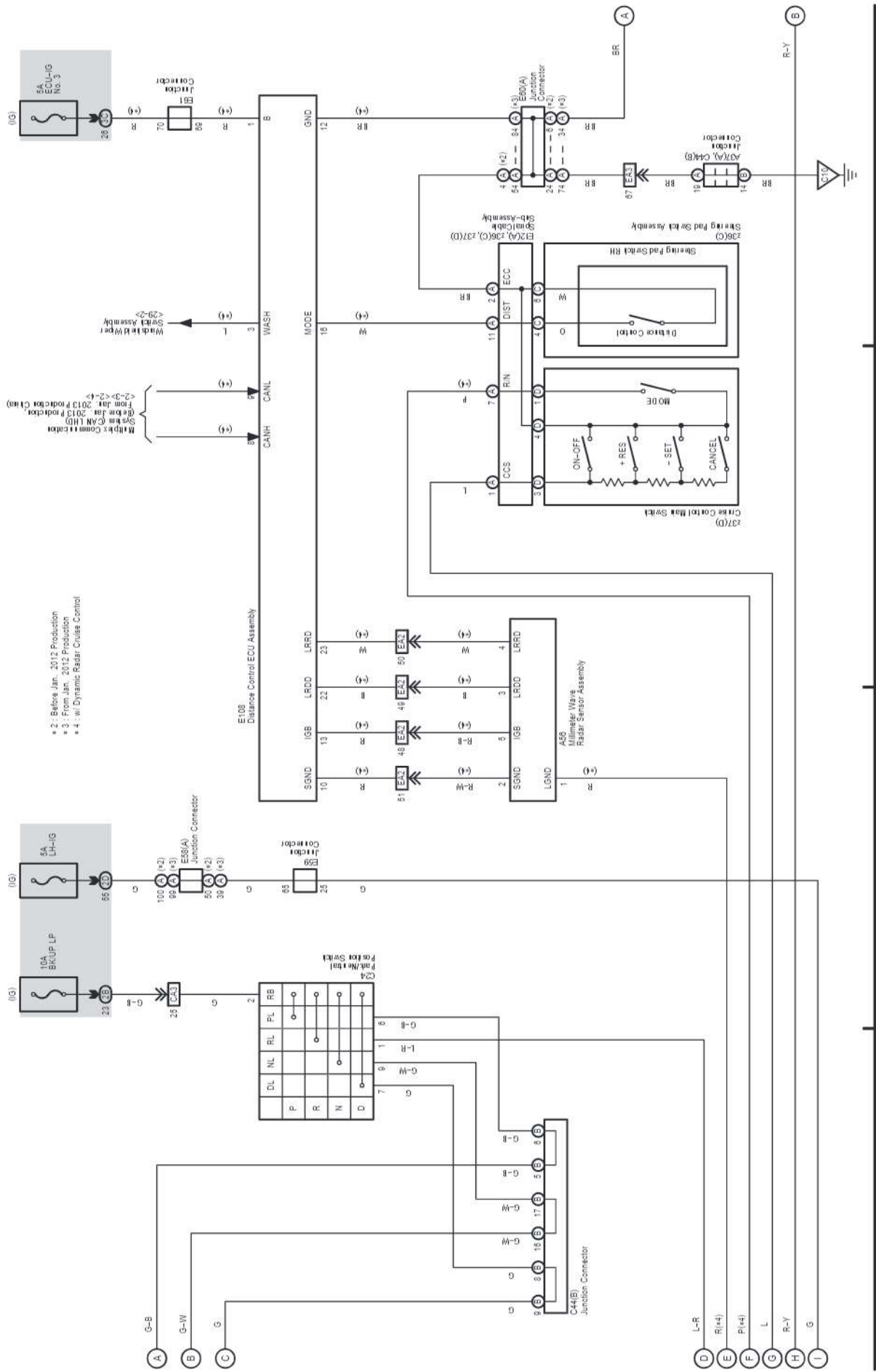
Dynamic Radar Cruise Control (3UR-FE) (Before Jan. 2013 Production)  
or Cruise Control (3UR-FE) (Before Jan. 2013 Production)

21

22

23

24



# M OVERALL ELECTRICAL WIRING DIAGRAM

## 52 LAND CRUISER Station Wagon (Cont' d)

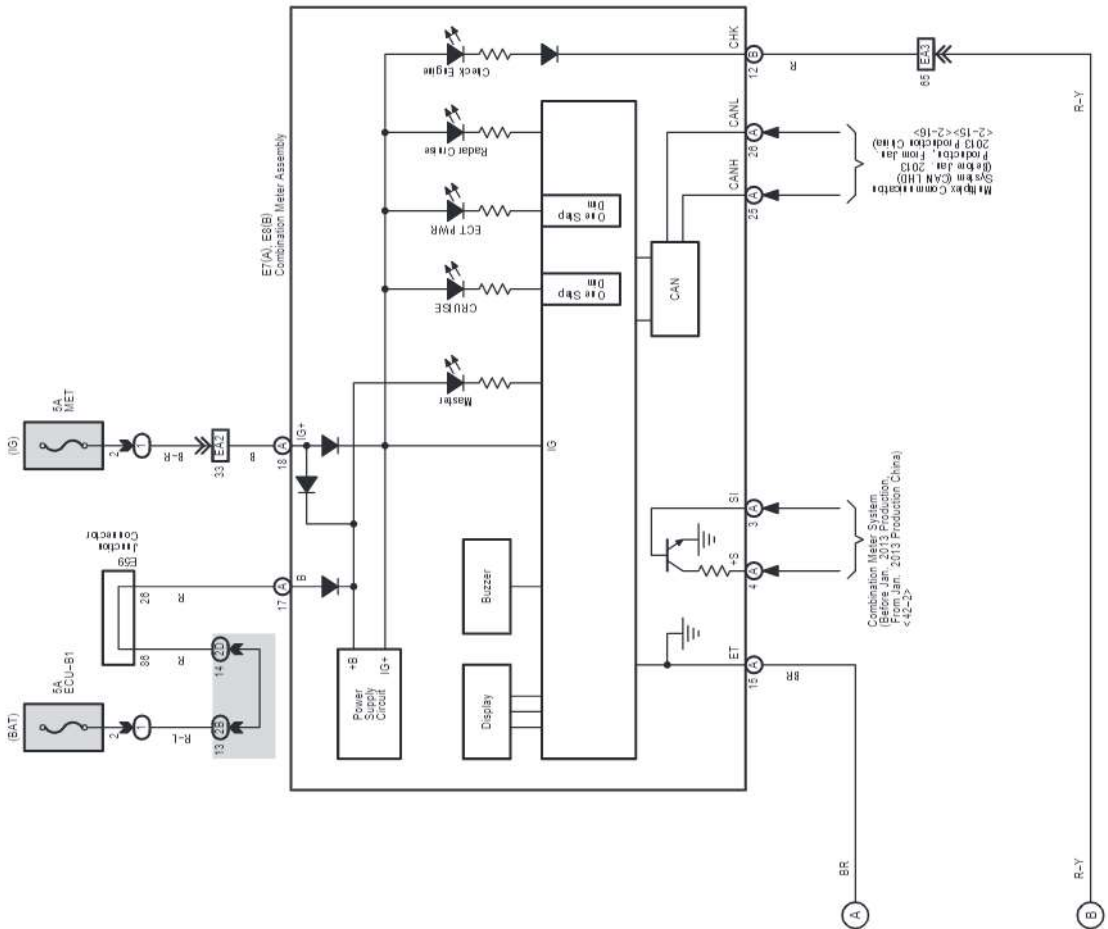
Dynamic Radar Cruise Control (3UR-FE) (Before Jan. 2013 Production)  
or Cruise Control (3UR-FE) (Before Jan. 2013 Production)

28

27

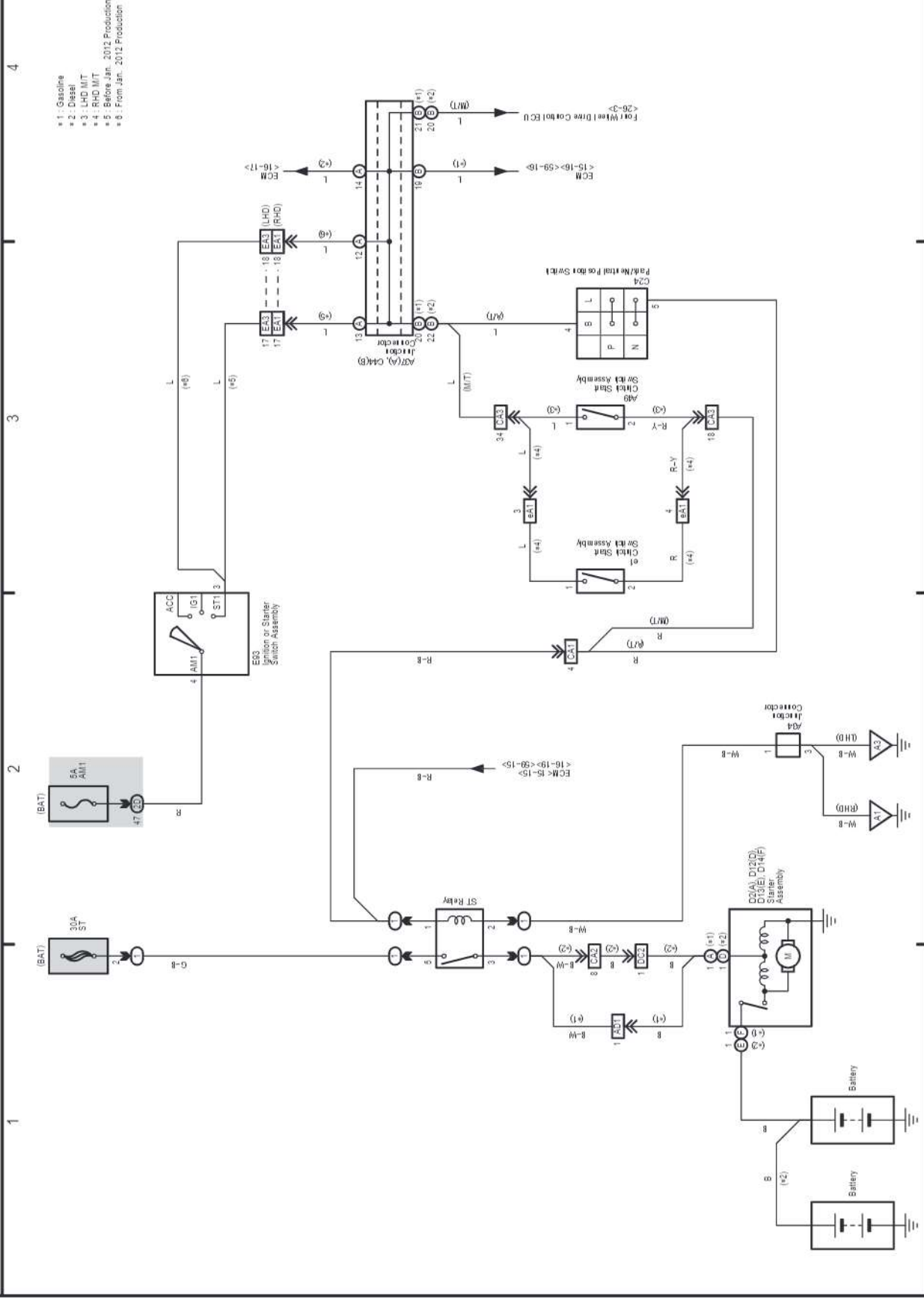
26

25



53 LAND CRUISER Station Wagon

Starting (w/o Entry & Start System) (Before Jan. 2013 Production)



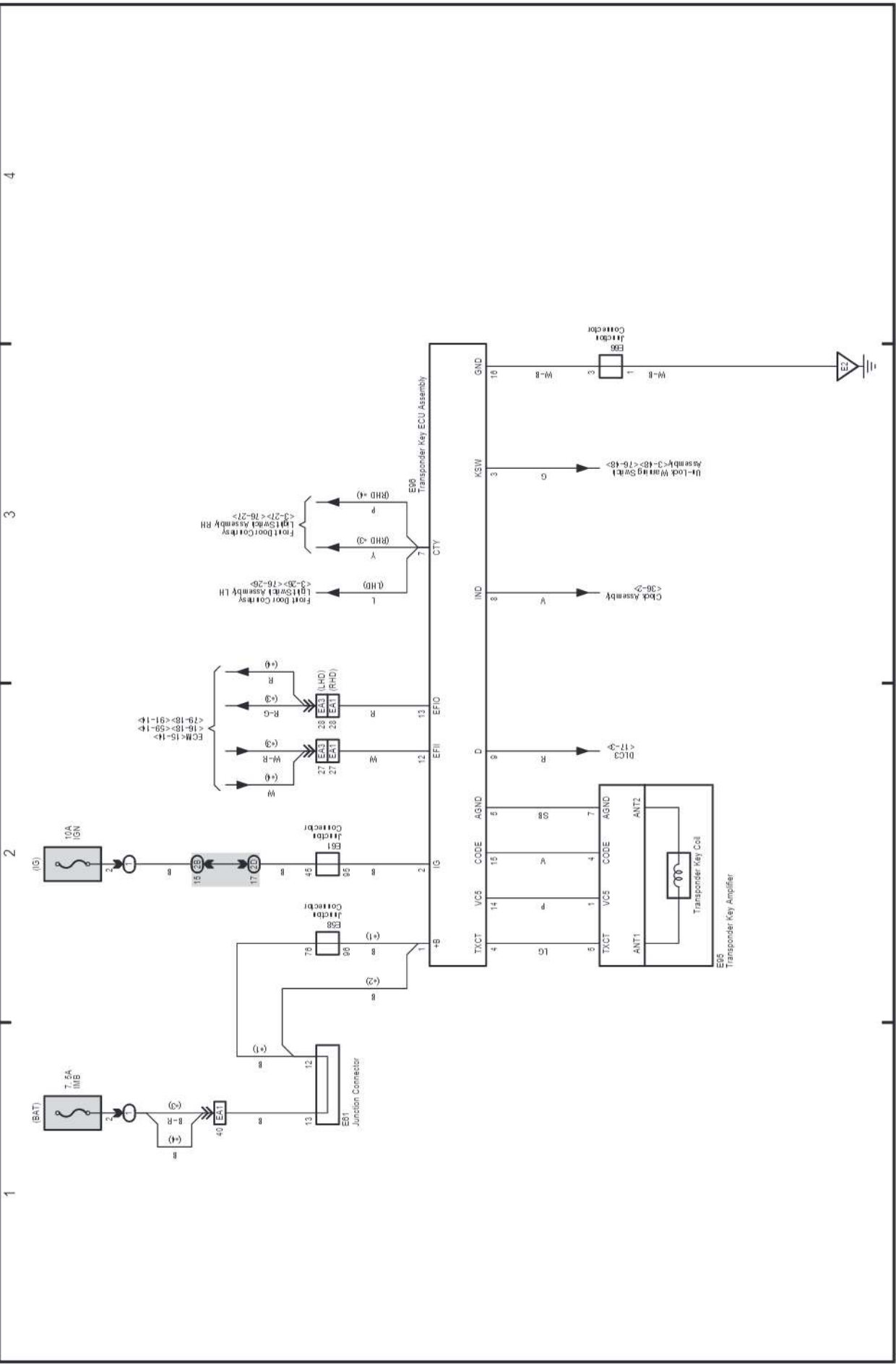
LAND CRUISER Station Wagon (EM22W1E)

# M OVERALL ELECTRICAL WIRING DIAGRAM

## 54 LAND CRUISER Station Wagon

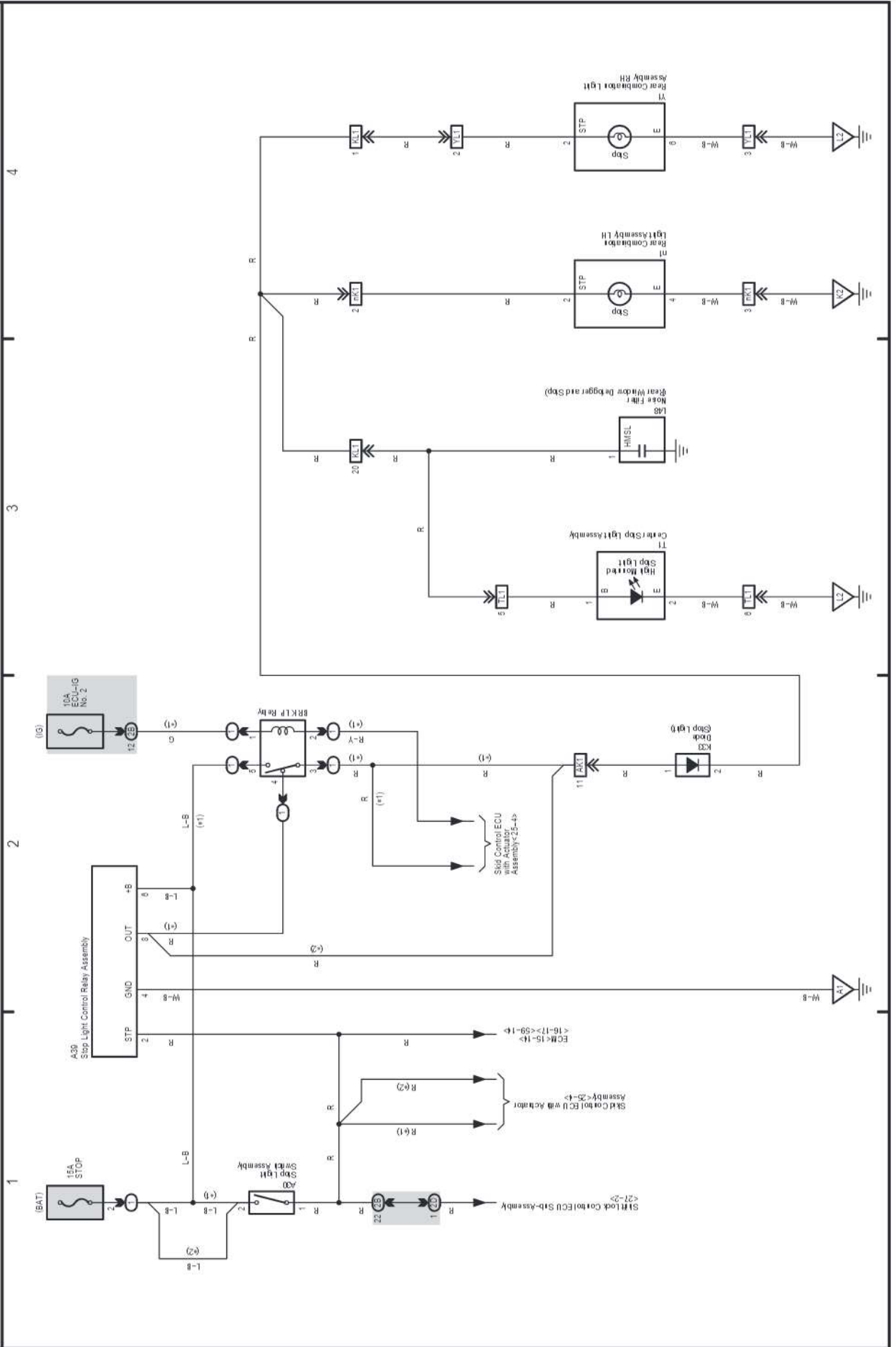
### Engine Immobiliser System (w/o Entry & Start System)

- \* 1 : Before Jan., 2012 Production
- \* 2 : From Jan., 2012 Production
- \* 3 : Before Jan., 2013 Production
- \* 4 : From Jan., 2013 Production



55 LAND CRUISER Station Wagon

Stop Light (Swing Type) (Before Jan. 2013 Production)



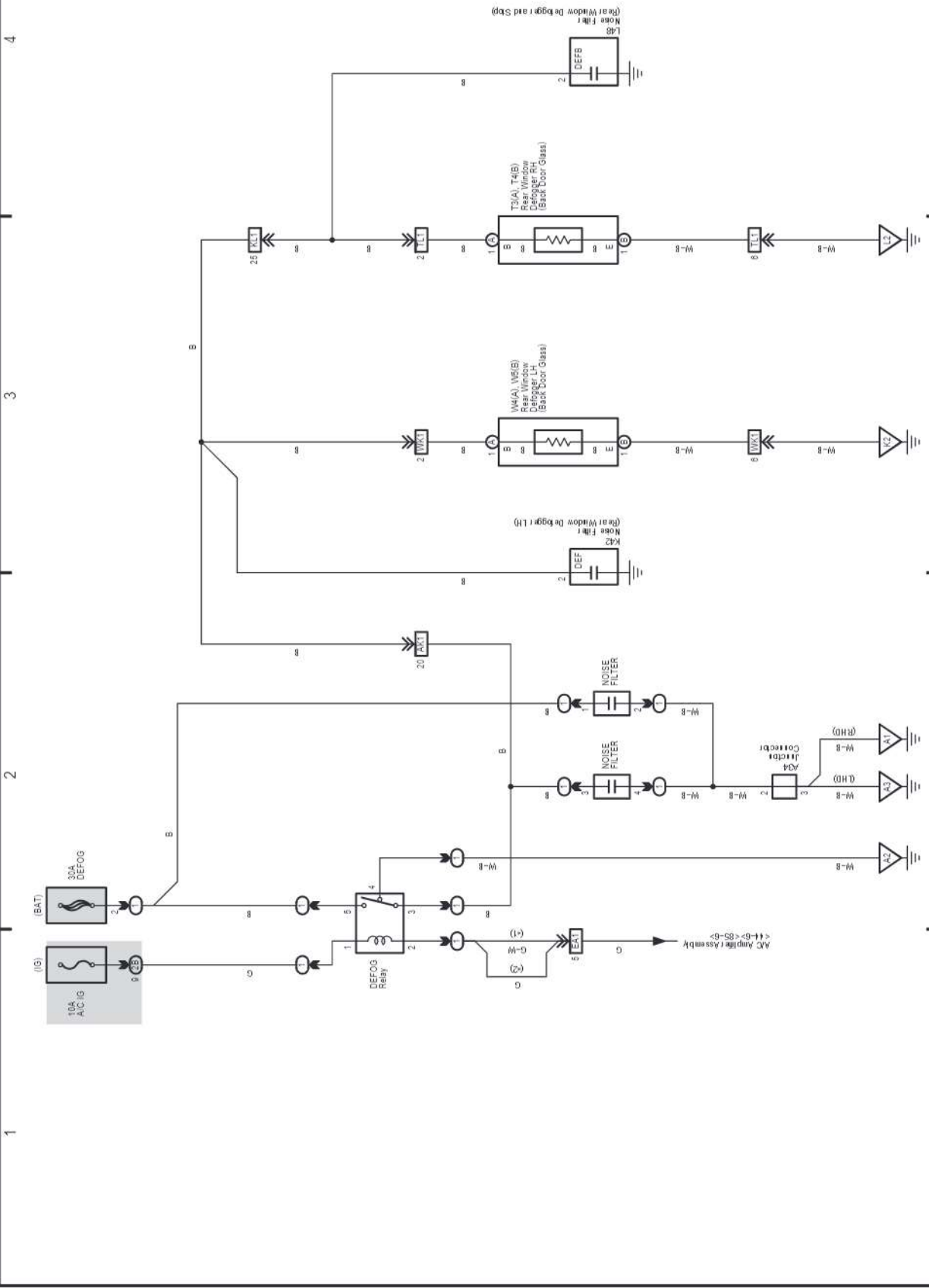
\*1 : w/ BRK LP Relay  
\*2 : w/o BRK LP Relay

# M OVERALL ELECTRICAL WIRING DIAGRAM

56 LAND CRUISER Station Wagon

## Rear Window Defogger (Swing Type)

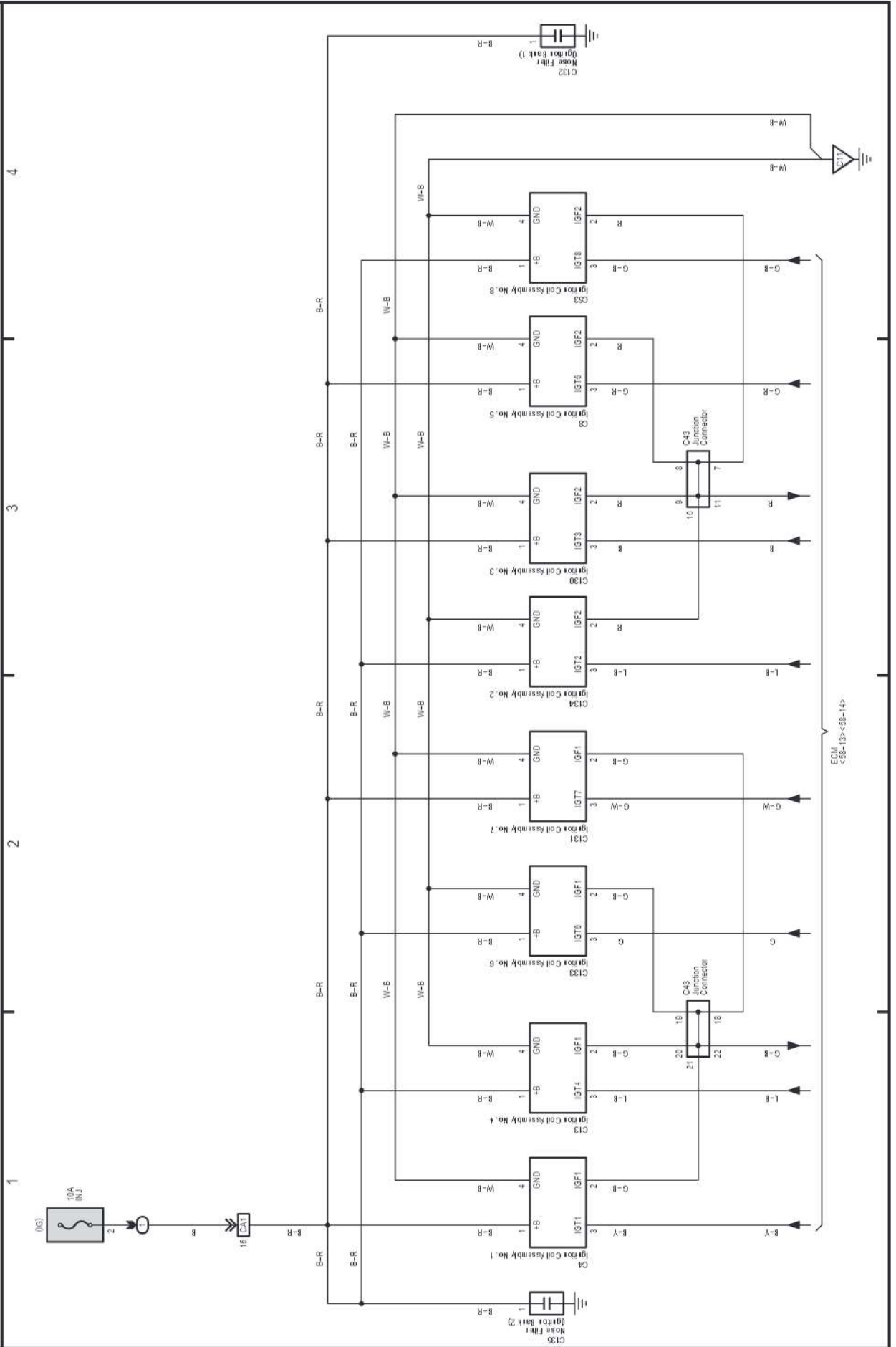
\* 1 : Before Jan. 2013 Production  
\* 2 : From Jan. 2013 Production





57 LAND CRUISER Station Wagon

Ignition (1UR-FE)



LAND CRUISER Station Wagon (EM22W1E)

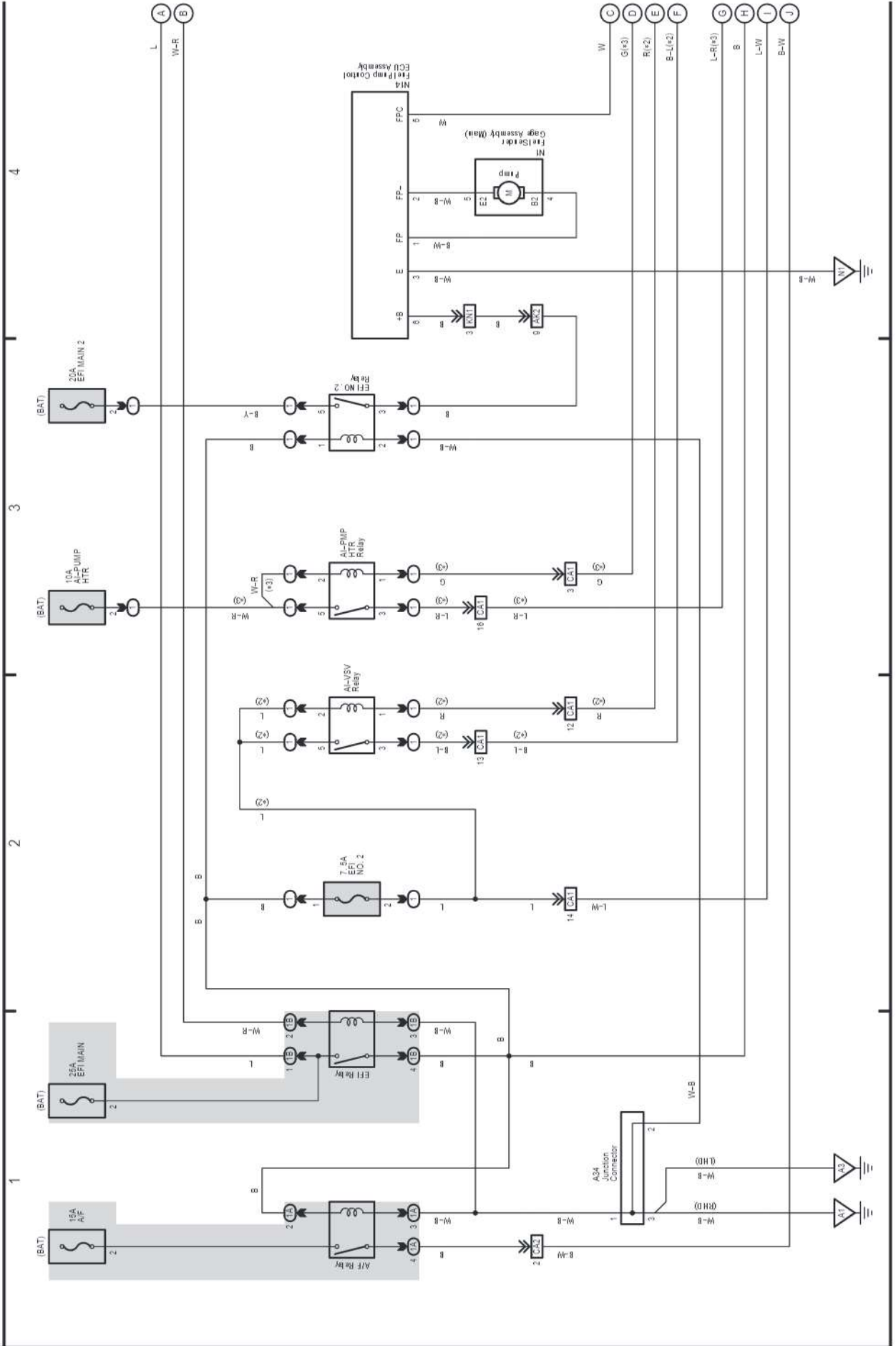
# M OVERALL ELECTRICAL WIRING DIAGRAM

(Cont. next page)

58 LAND CRUISER Station Wagon

Engine Control (1UR-FE)  
(Before Jan. 2013 Production, From Jan. 2013 Production China)

\* 2 : w/ Air Injection Control Driver  
\* 3 : w/ Air Injection Control Driver w/AL-PIHP HTR Relay



LAND CRUISER Station Wagon (EM22W1E)

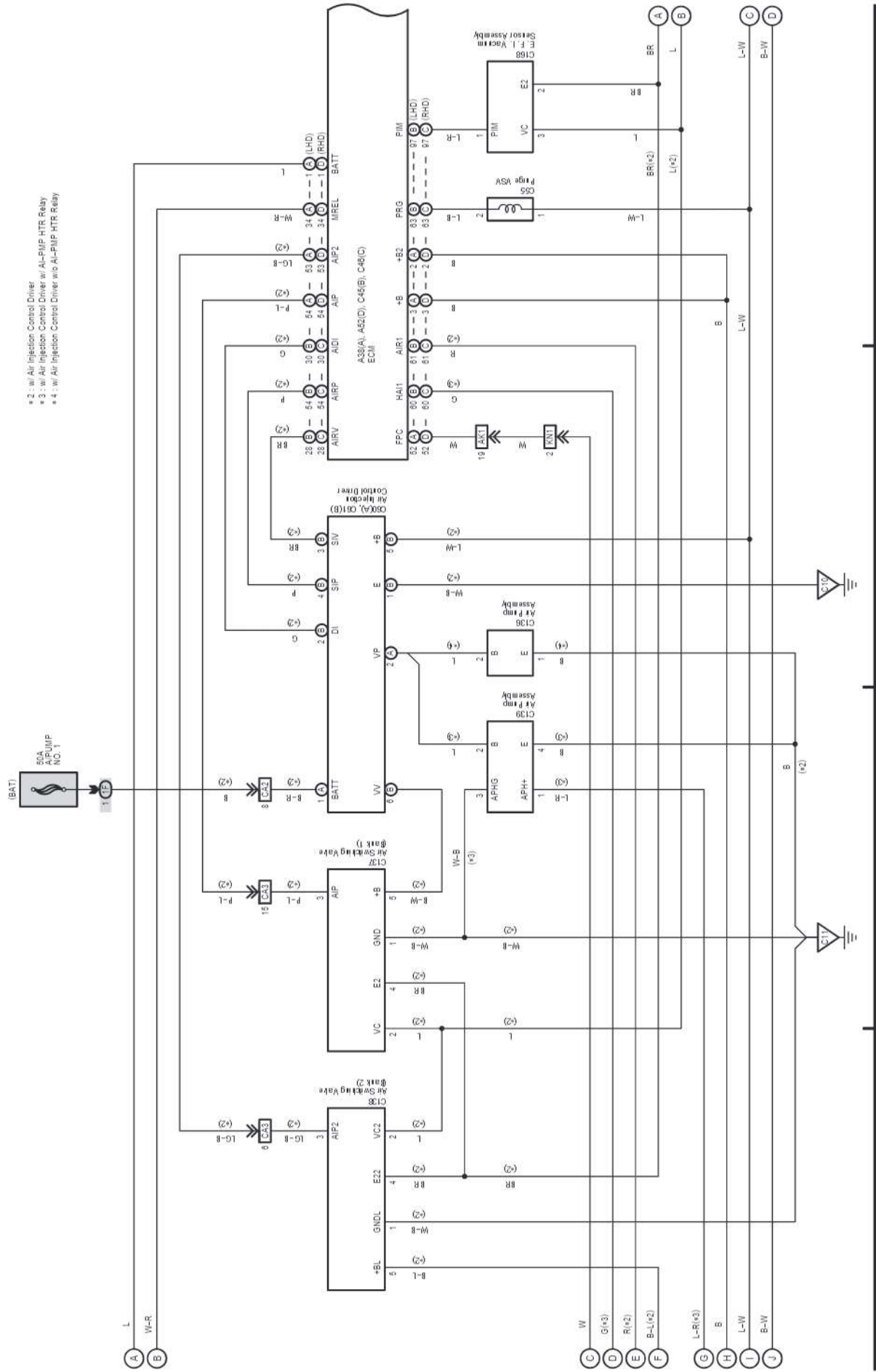
Engine Control (1UR-FE)  
(Before Jan. 2013 Production, From Jan. 2013 Production China)

8

7

6

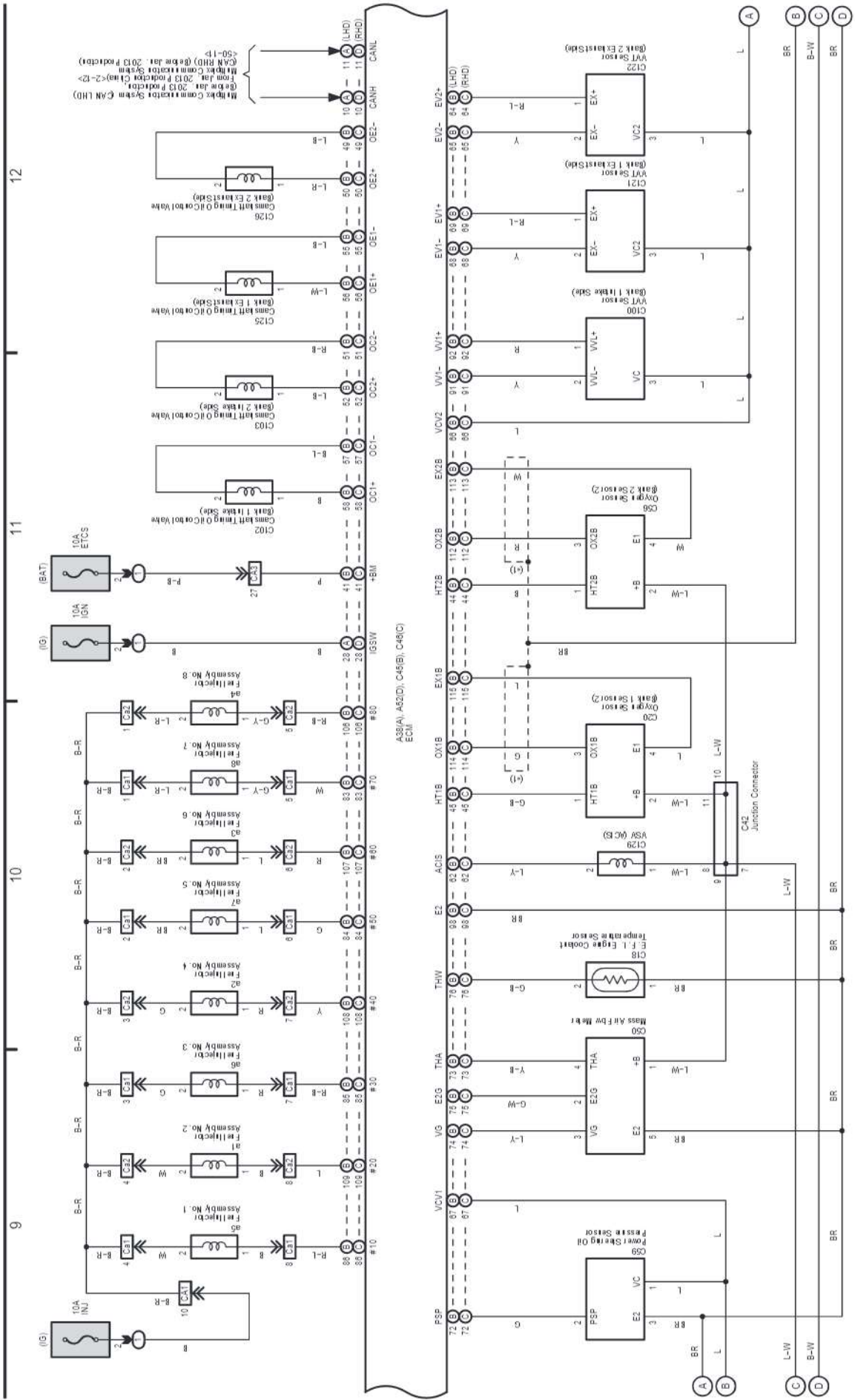
5



- \* 2 - w/ Air Injection Control Driver
- \* 3 - w/ Air Injection Control Driver w/ AL-PMP HTR Relay
- \* 4 - w/ Air Injection Control Driver w/ AL-PMP HTR Relay

Engine Control (1UR-FE)  
(Before Jan. 2013 Production, From Jan. 2013 Production China)

\* 1: Shielded

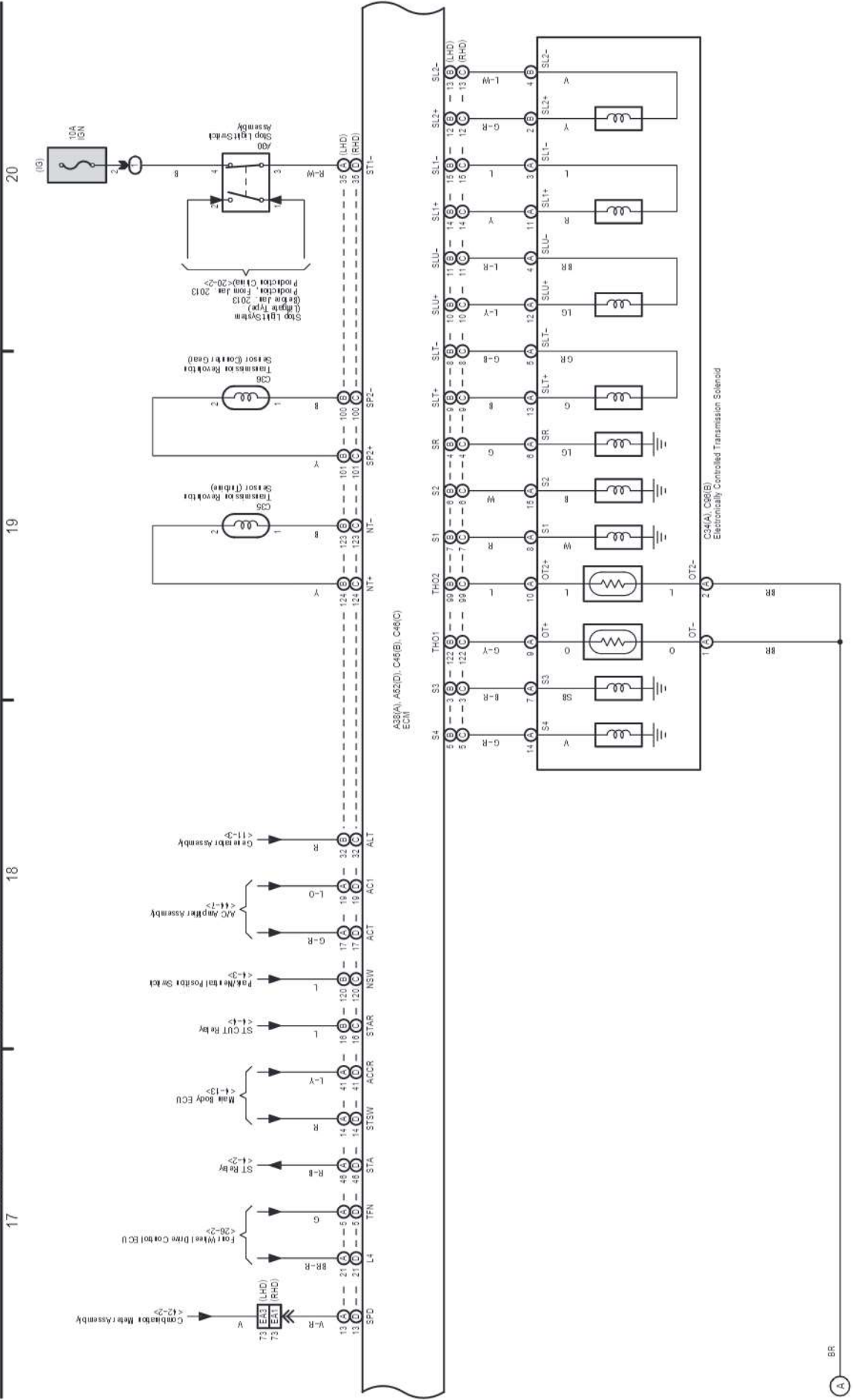






Engine Control (1UR-FE)  
 (Before Jan. 2013 Production,  
 From Jan. 2013 Production China)

ECT and A/T Indicator (1UR-FE)  
 (Before Jan. 2013 Production,  
 From Jan. 2013 Production China)



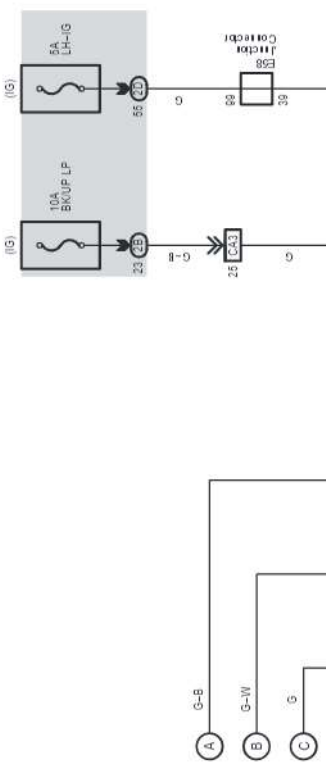
LAND CRUISER Station Wagon (EM22W1E)





ECT and A/T Indicator (1UR-FE)  
 (Before Jan. 2013 Production,  
 From Jan. 2013 Production China)

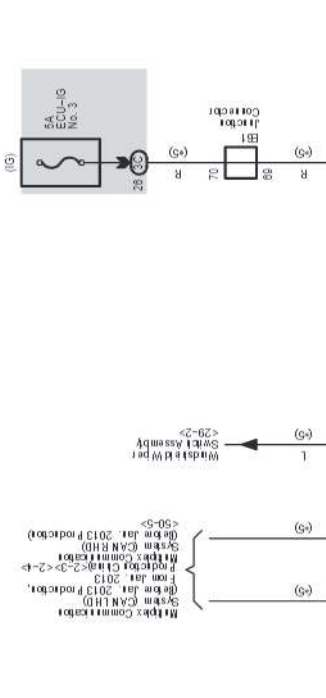
25



26

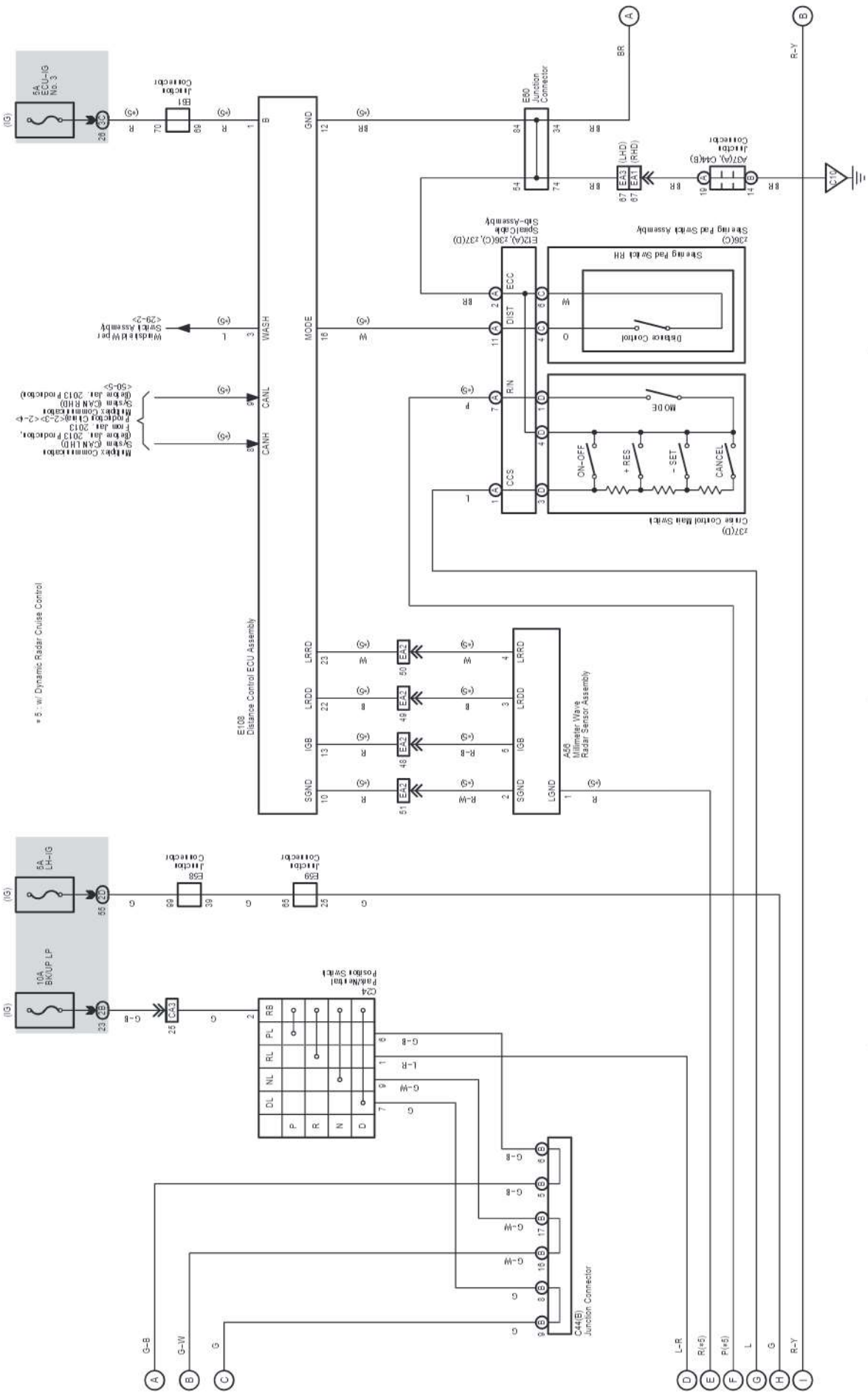


27



28

Dynamic Radar Cruise Control (1UR-FE) (Before Jan. 2013 P Production,  
 From Jan. 2013 Production China) or Cruise Control (1UR-FE)  
 (Before Jan. 2013 Production, From Jan. 2013 Production China)



58 LAND CRUISER Station Wagon (Cont' d)

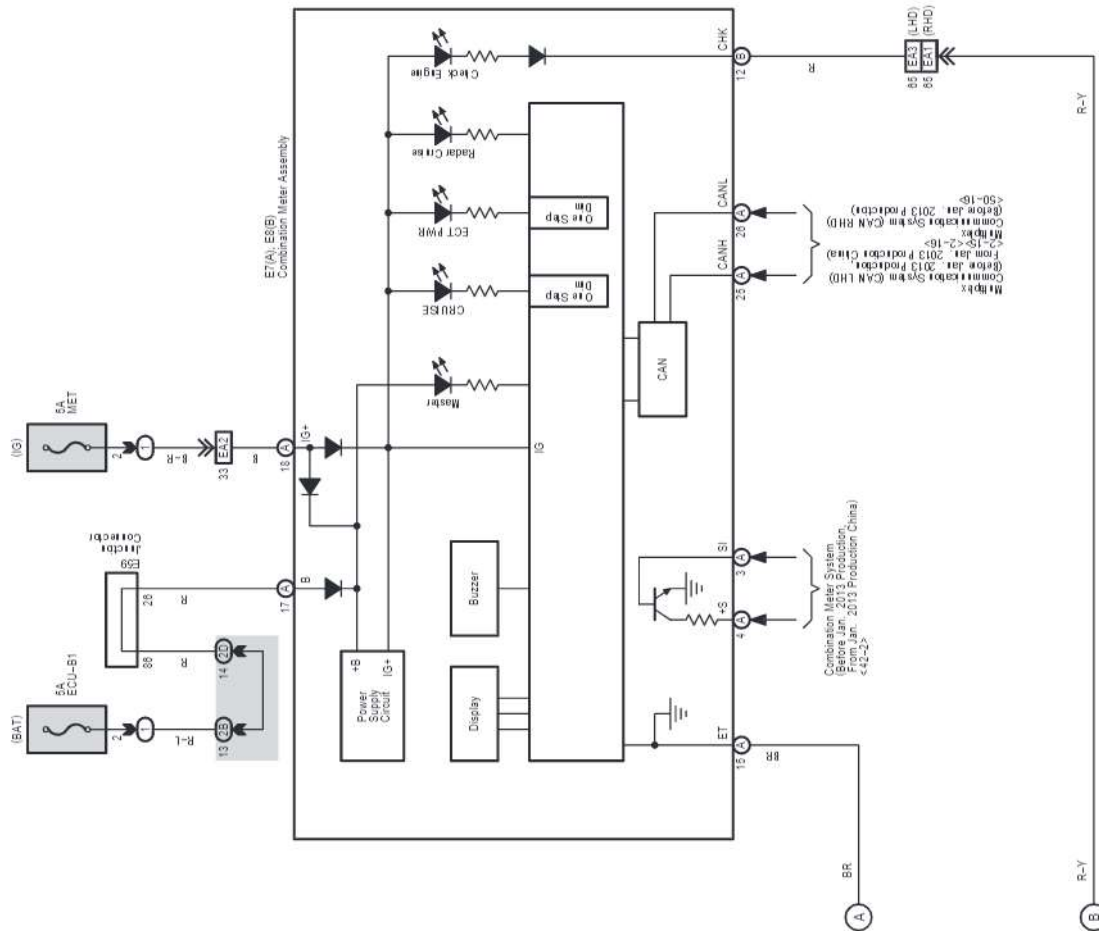
Dynamic Radar Cruise Control (1UR-FE) (Before Jan. 2013 Production,  
From Jan. 2013 Production China) or Cruise Control (1UR-FE)  
(Before Jan. 2013 Production, From Jan. 2013 Production China)

32

31

30

29

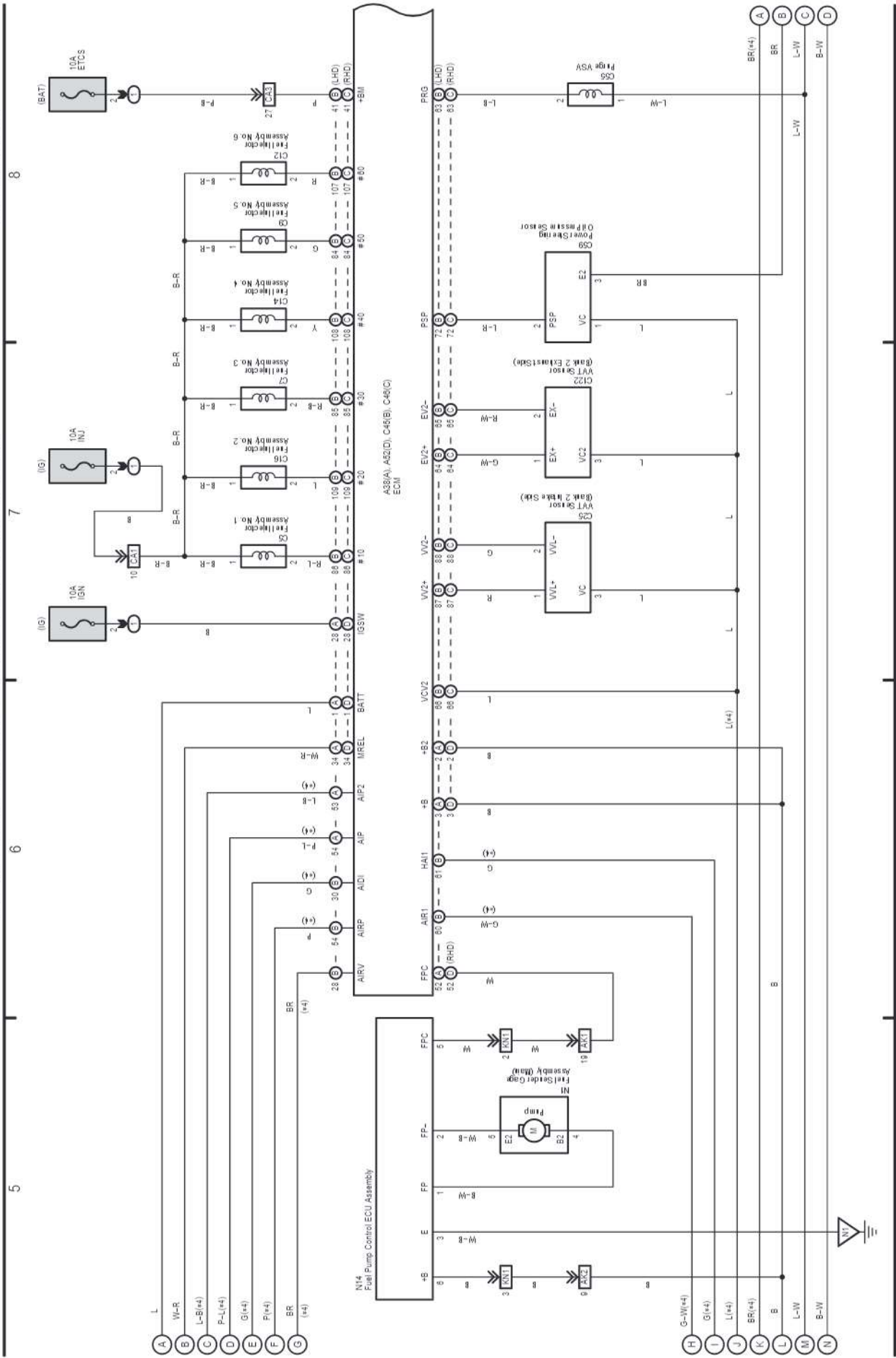


LAND CRUISER Station Wagon (EM22W1E)



Engine Control (1GR-FE) (From Jan. 2012 Production until Jan. 2013 Production, From Jan. 2013 Production China)

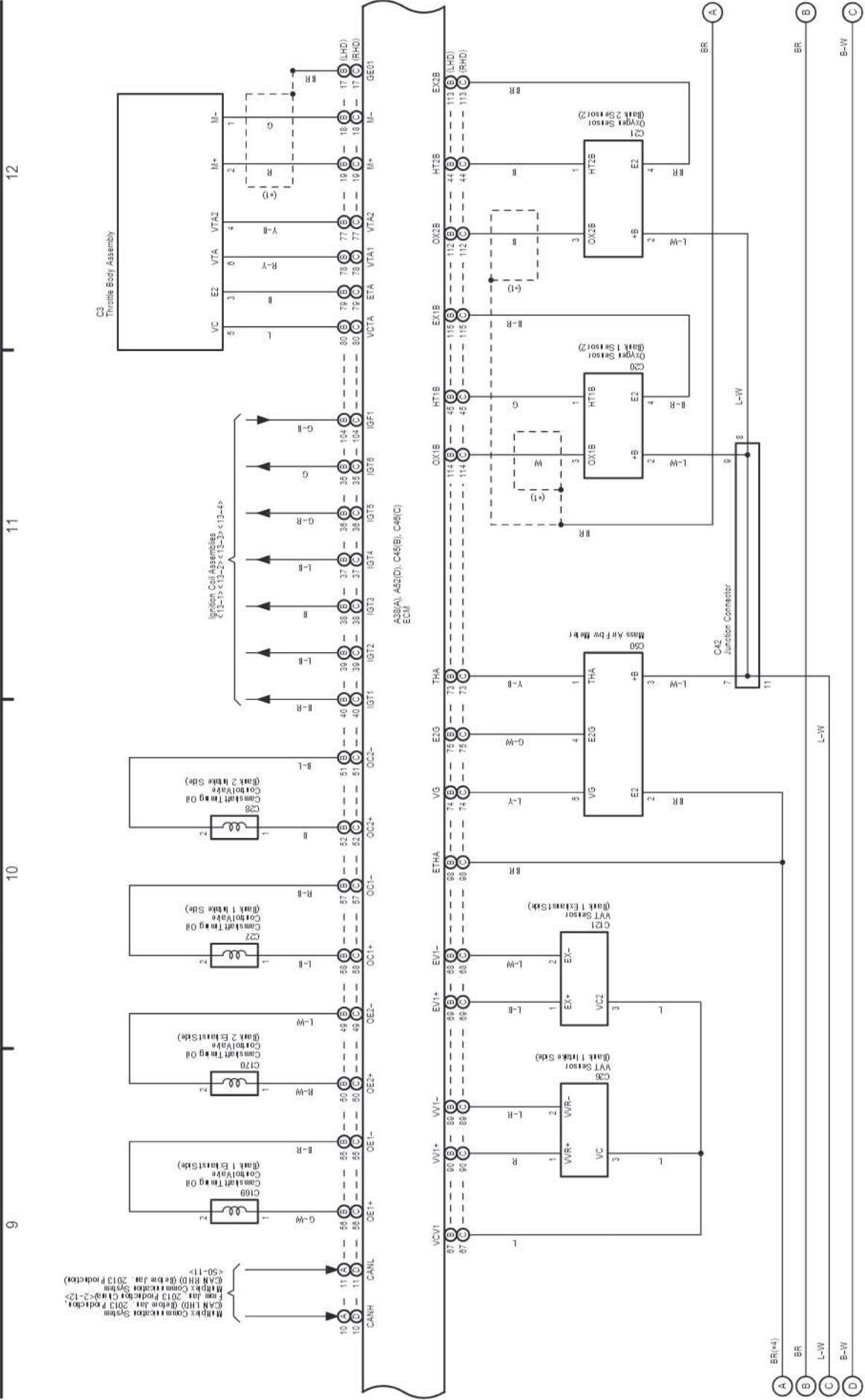
\*4 : w/ Air Injection Control Driver



# M OVERALL ELECTRICAL WIRING DIAGRAM

Engine Control (1GR-FE) (From Jan. 2012 Production until Jan. 2013 Production, From Jan. 2013 Production China)

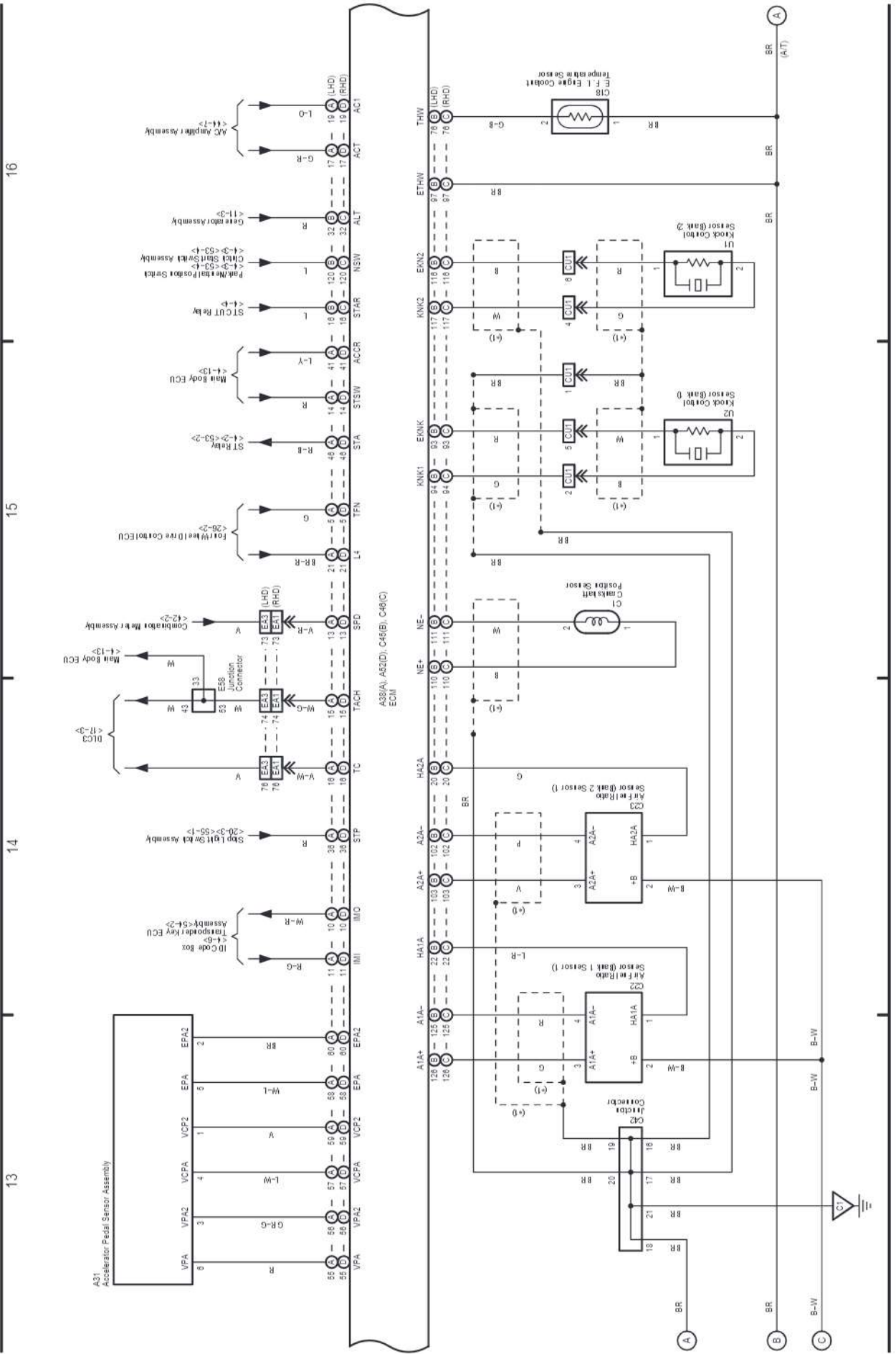
\* 1 : Shielded  
\* 4 : w/ Air Injection Control Driver





Engine Control (1GR-FE) (From Jan. 2012 Production until Jan. 2013 Production, From Jan. 2013 Production China)

\*1: Shielded



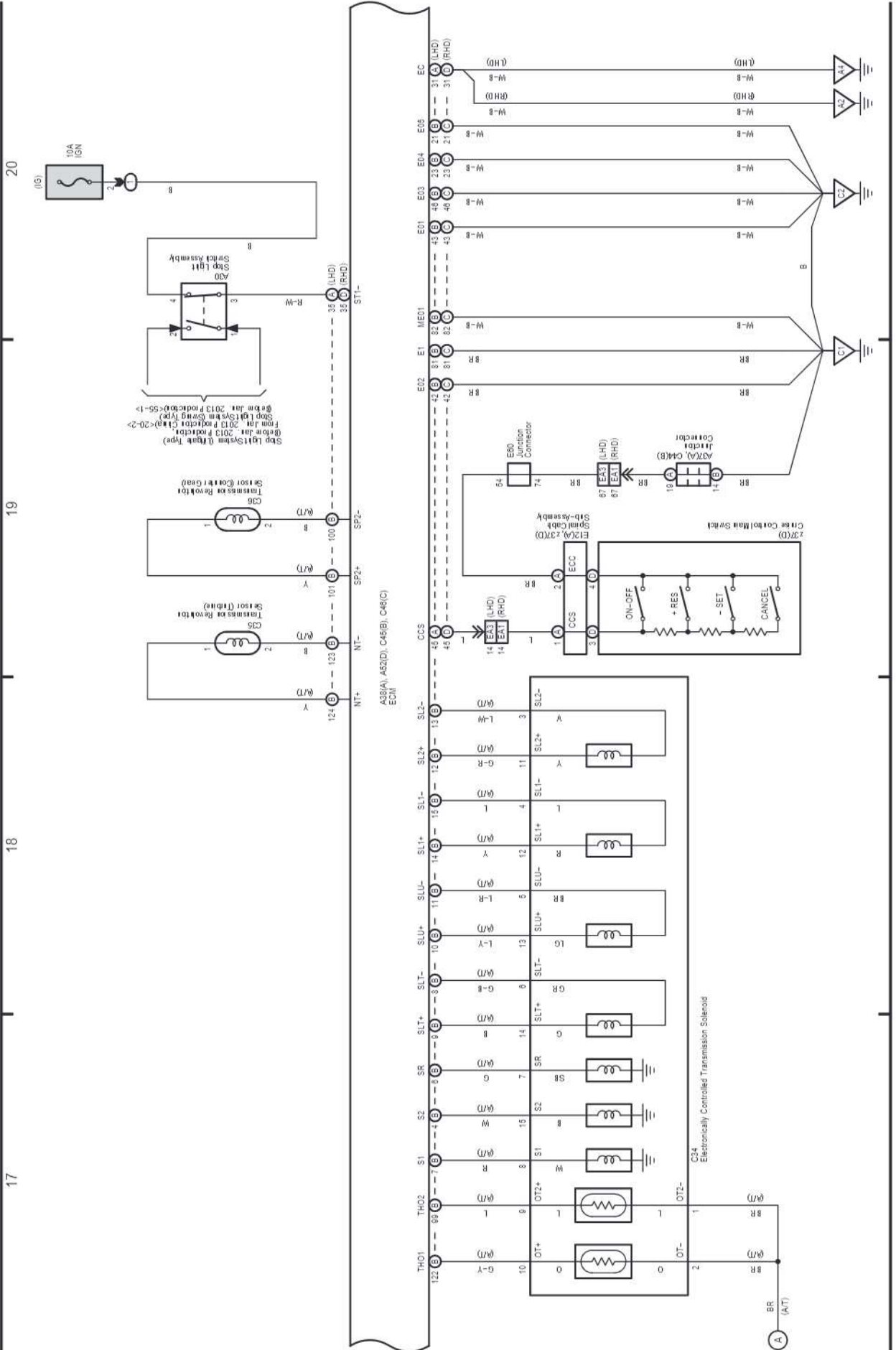
LAND CRUISER Station Wagon (EM22W1E)

# M OVERALL ELECTRICAL WIRING DIAGRAM

59 LAND CRUISER Station Wagon (Cont' d)

(Cont. next page)

Cruise Control (1GR-FE) (From Jan. 2012 Production until Jan. 2013 Production, From Jan. 2013 Production China)



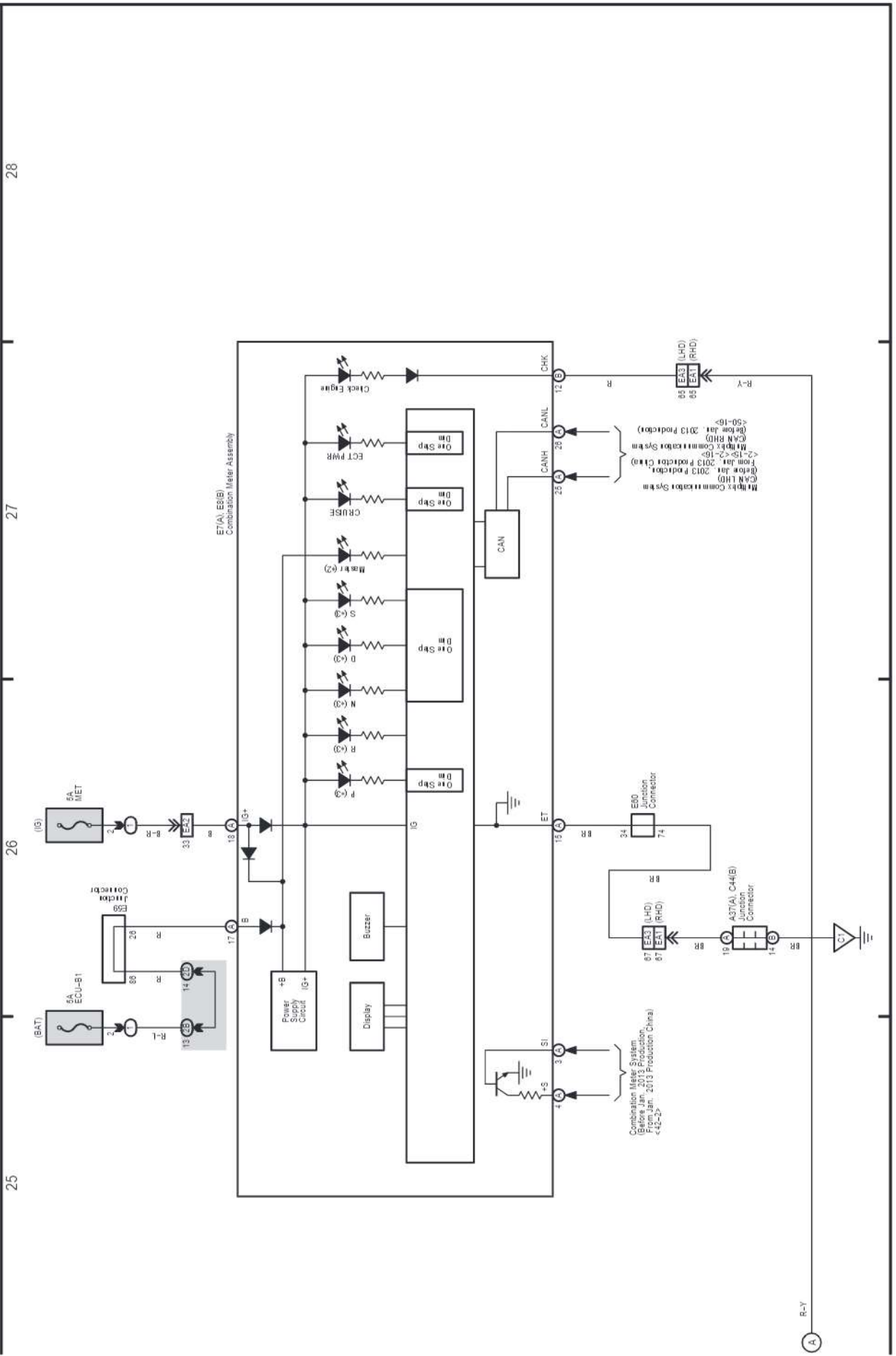


# M OVERALL ELECTRICAL WIRING DIAGRAM

## 59 LAND CRUISER Station Wagon (Cont' d)

ECT and A/T Indicator (1GR-FE) (From Jan. 2012 Production until Jan. 2013 Production, From Jan. 2013 Production China)

\* 2 : Option Meter  
\* 3 : Except Option Meter

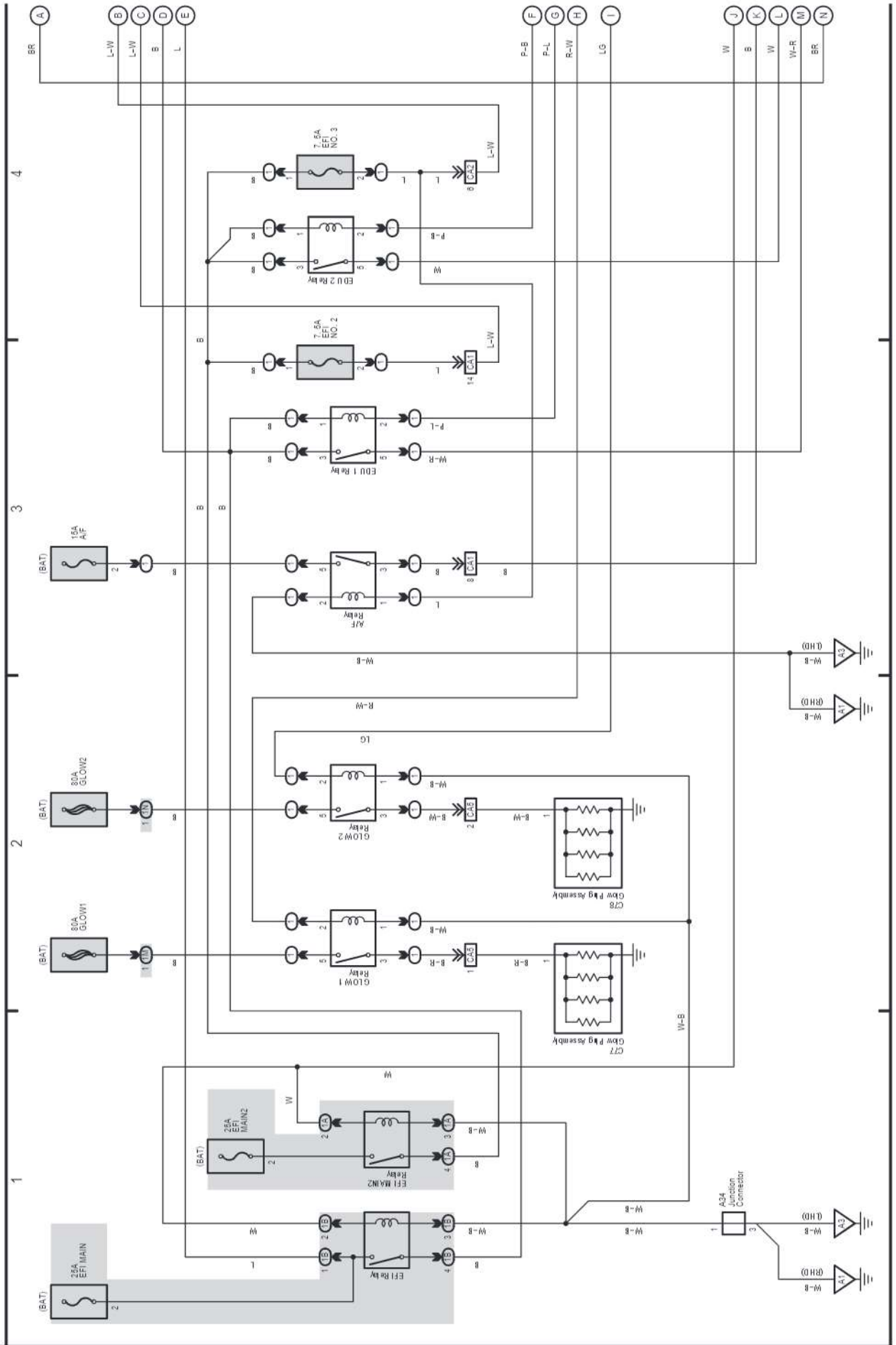


# M OVERALL ELECTRICAL WIRING DIAGRAM

(Cont. next page)

60 LAND CRUISER Station Wagon

Engine Control (1VD-FTV w/DPF) (Before Jan. 2013 Production)



LAND CRUISER Station Wagon (EM22W1E)

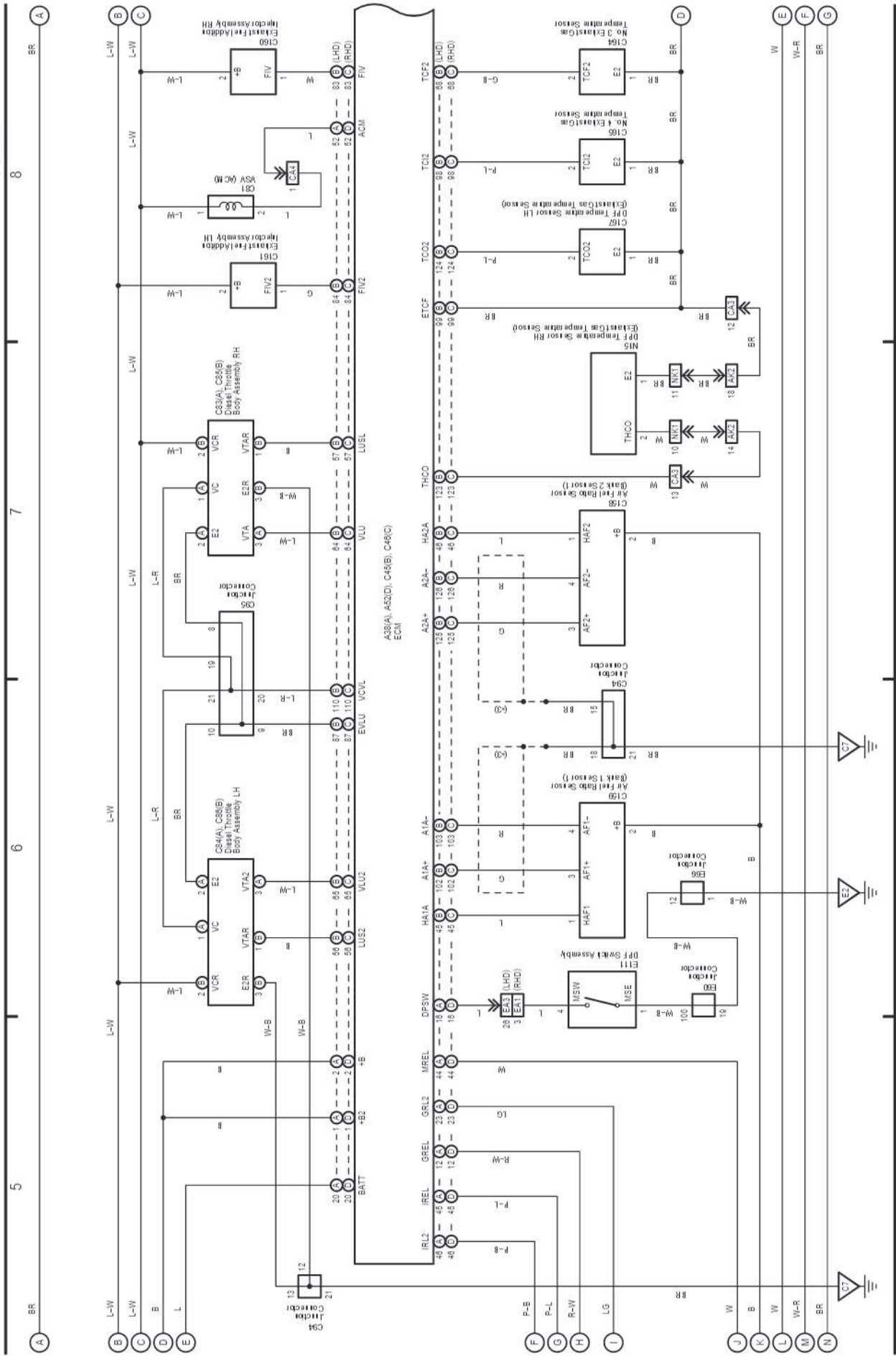


60 LAND CRUISER Station Wagon (Cont' d)

(Cont. next page)

Engine Control (1VD-FTV w/DPF) (Before Jan. 2013 Production)

\* 3... Shielded



LAND CRUISER Station Wagon (EM22W1E)

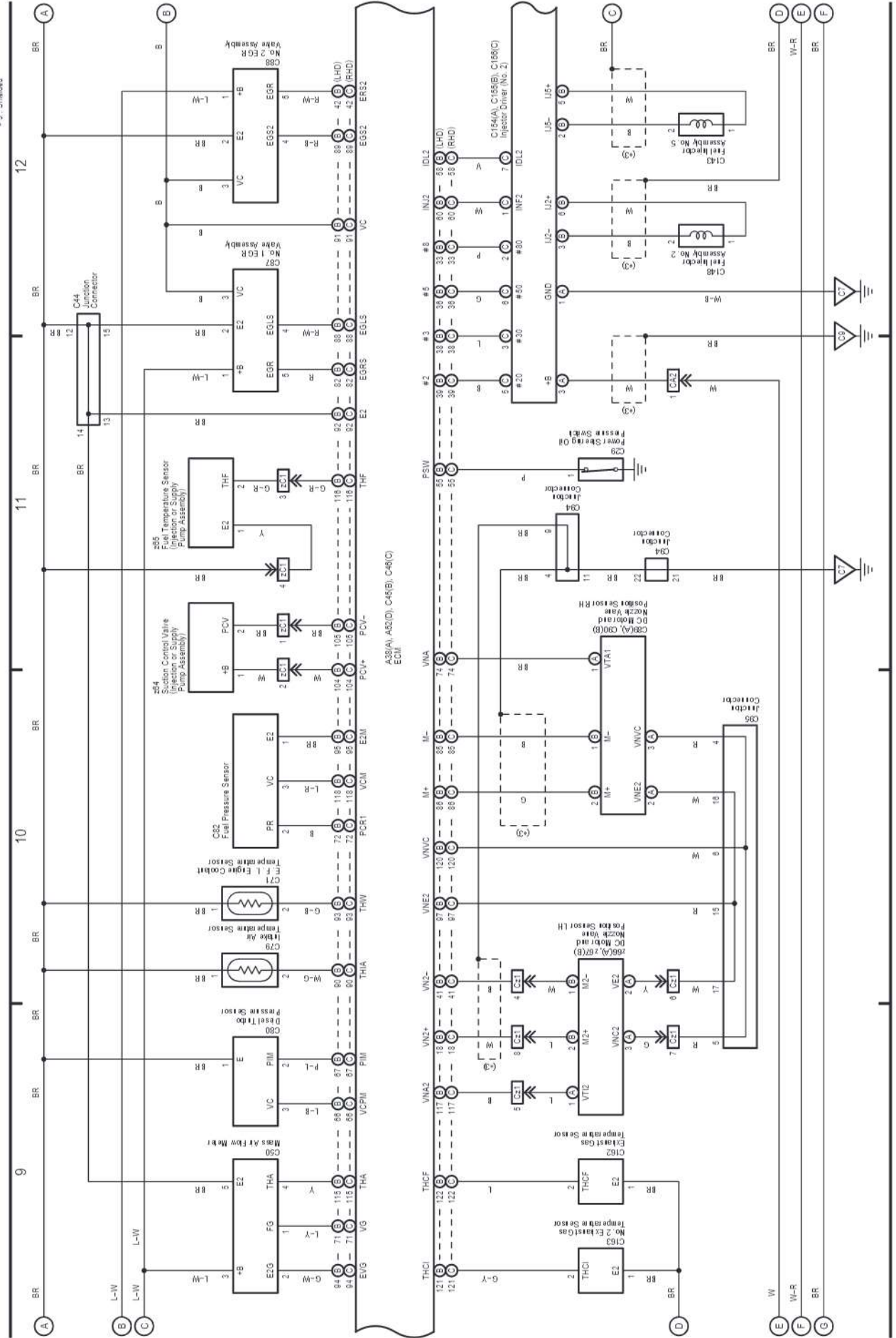


# M OVERALL ELECTRICAL WIRING DIAGRAM

(Cont. next page)

60 LAND CRUISER Station Wagon (Cont' d)

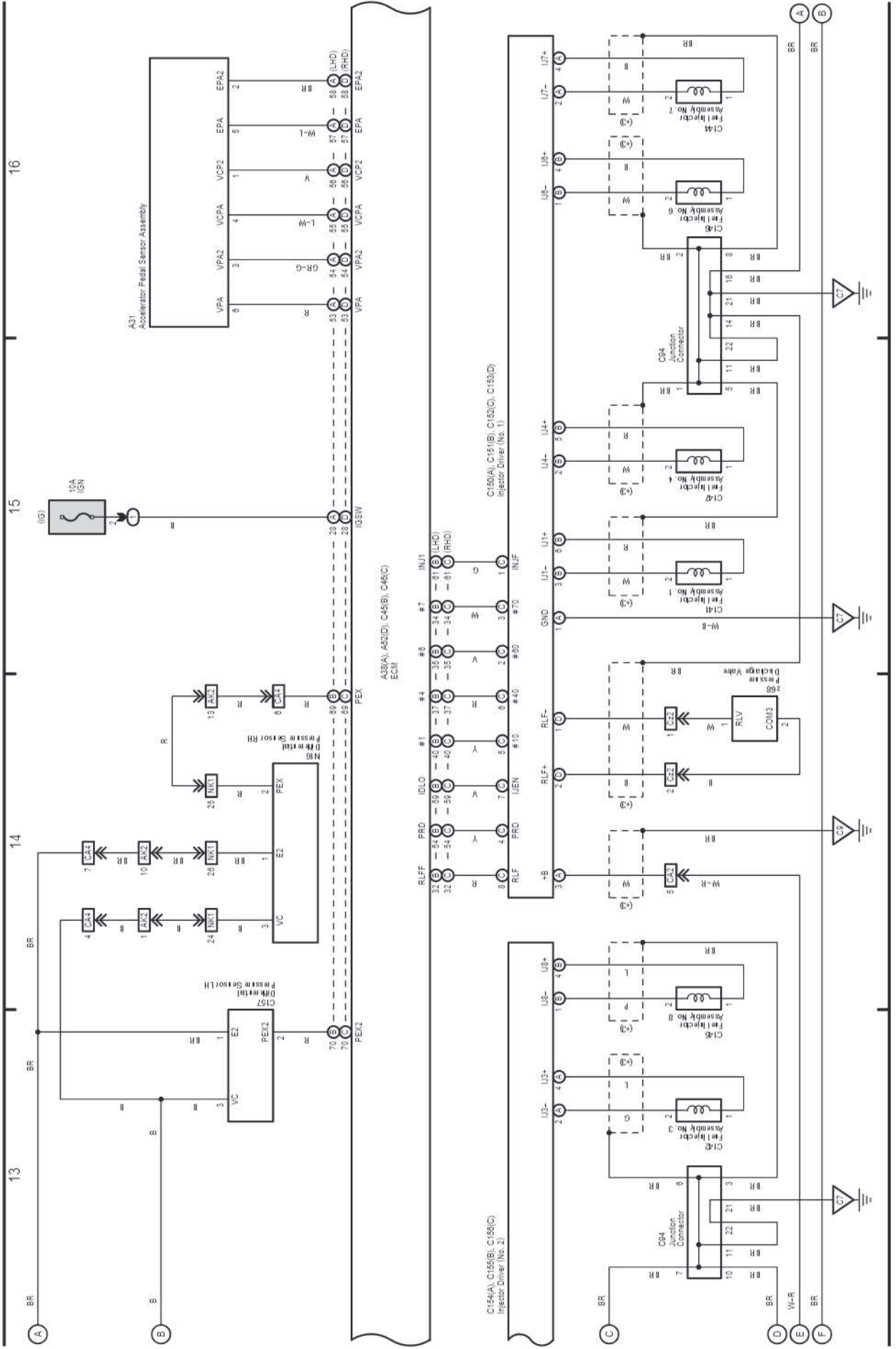
Engine Control (1VD-FTV w/DPF) (Before Jan. 2013 Production)



LAND CRUISER Station Wagon (EM22W1E)

Engine Control (1VD-FTV w/DPF) (Before Jan. 2013 Production)

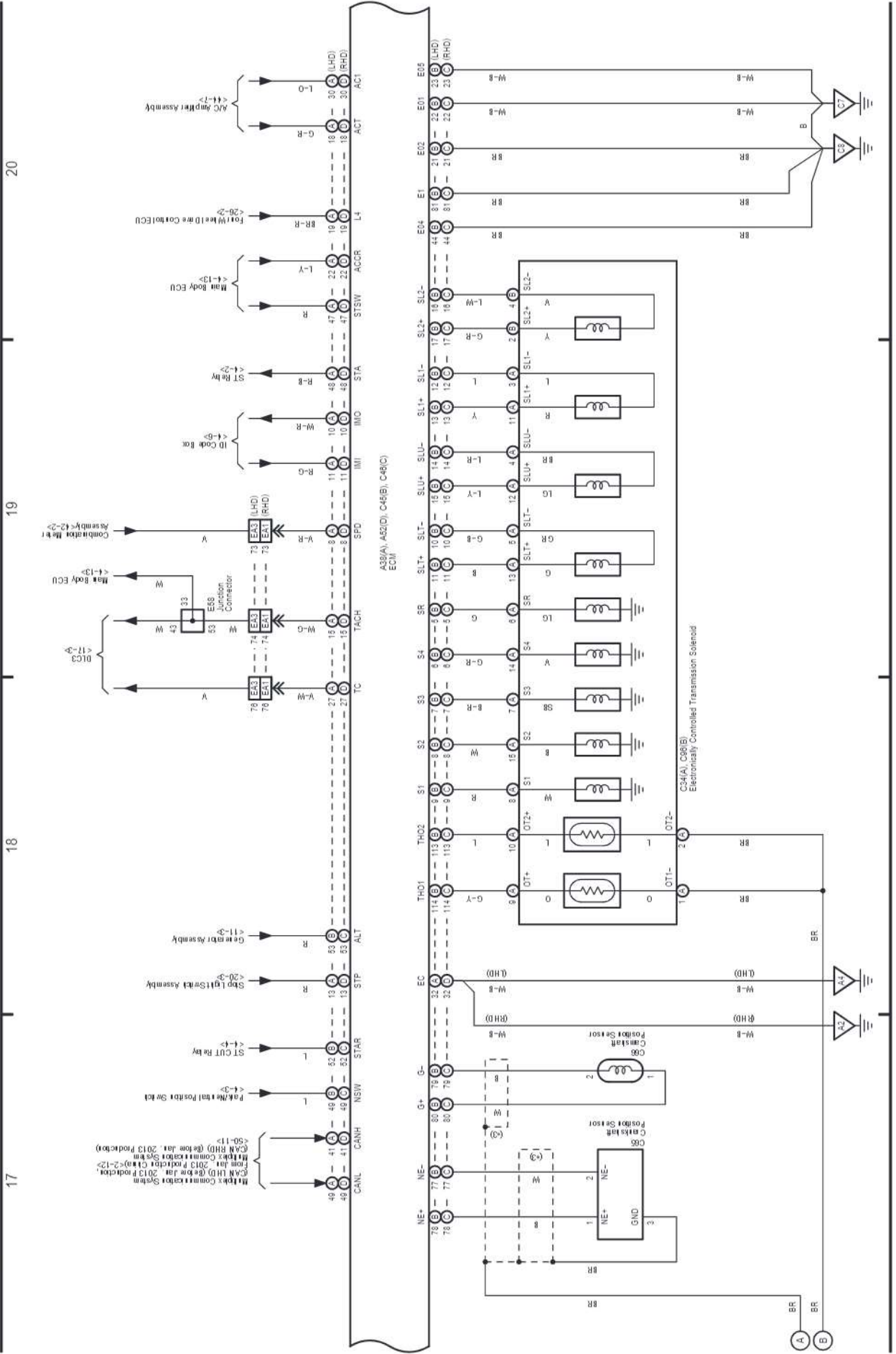
\* 3 - Shielded



Engine Control (1VD-FTV w/DPF)  
(Before Jan. 2013 Production)

Cruise Control (1VD-FTV w/DPF) (Before Jan. 2013 Production)

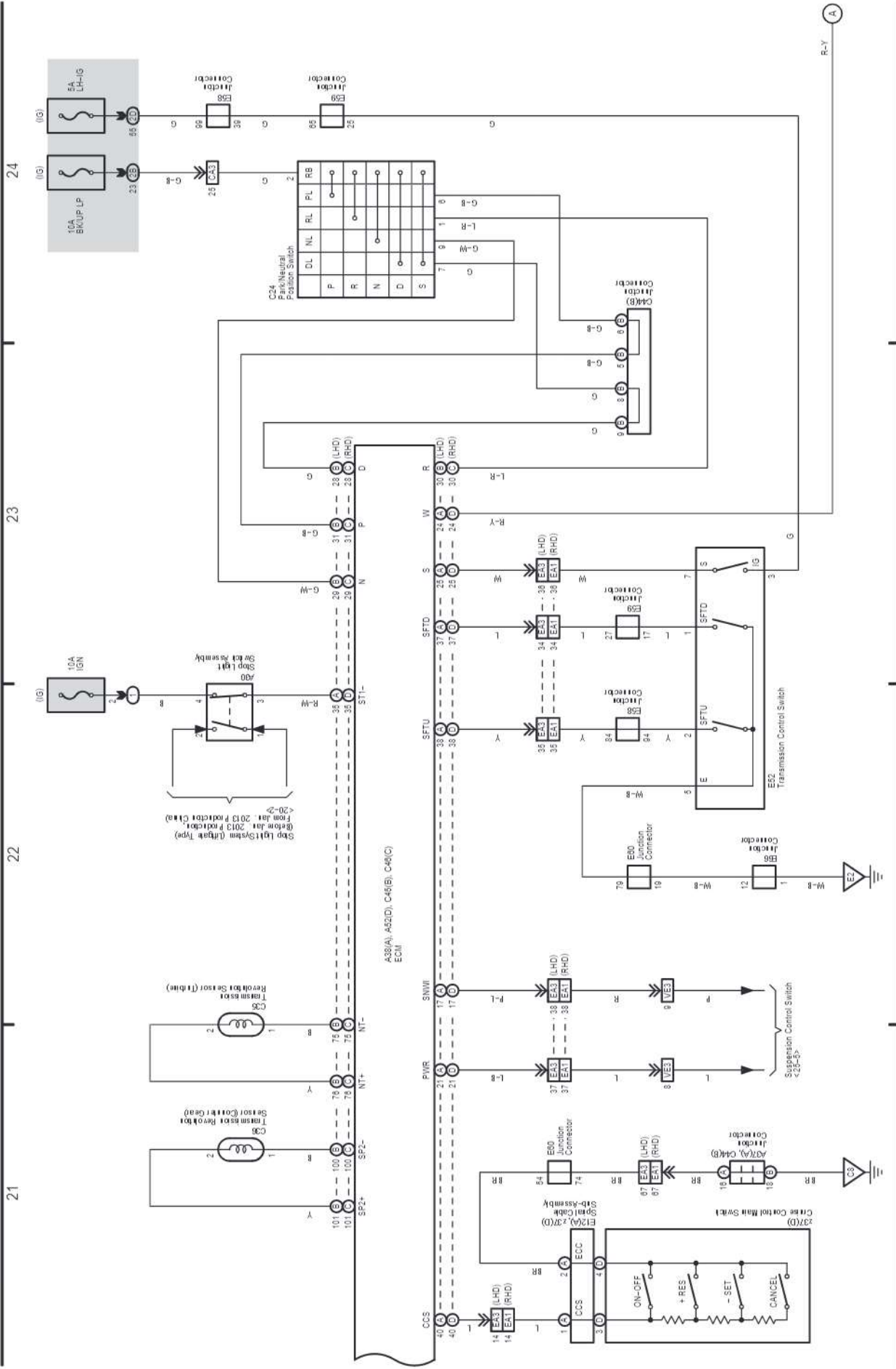
\*3 - Shielded



LAND CRUISER Station Wagon (EM22W1E)

Cruise Control (1VD-FTV w/ DPF)  
(Before Jan. 2013 Production)

ECT and A/T Indicator (1VD-FTV w/ DPF) (Before Jan. 2013 Production)



# M OVERALL ELECTRICAL WIRING DIAGRAM

## 60 LAND CRUISER Station Wagon (Cont' d)

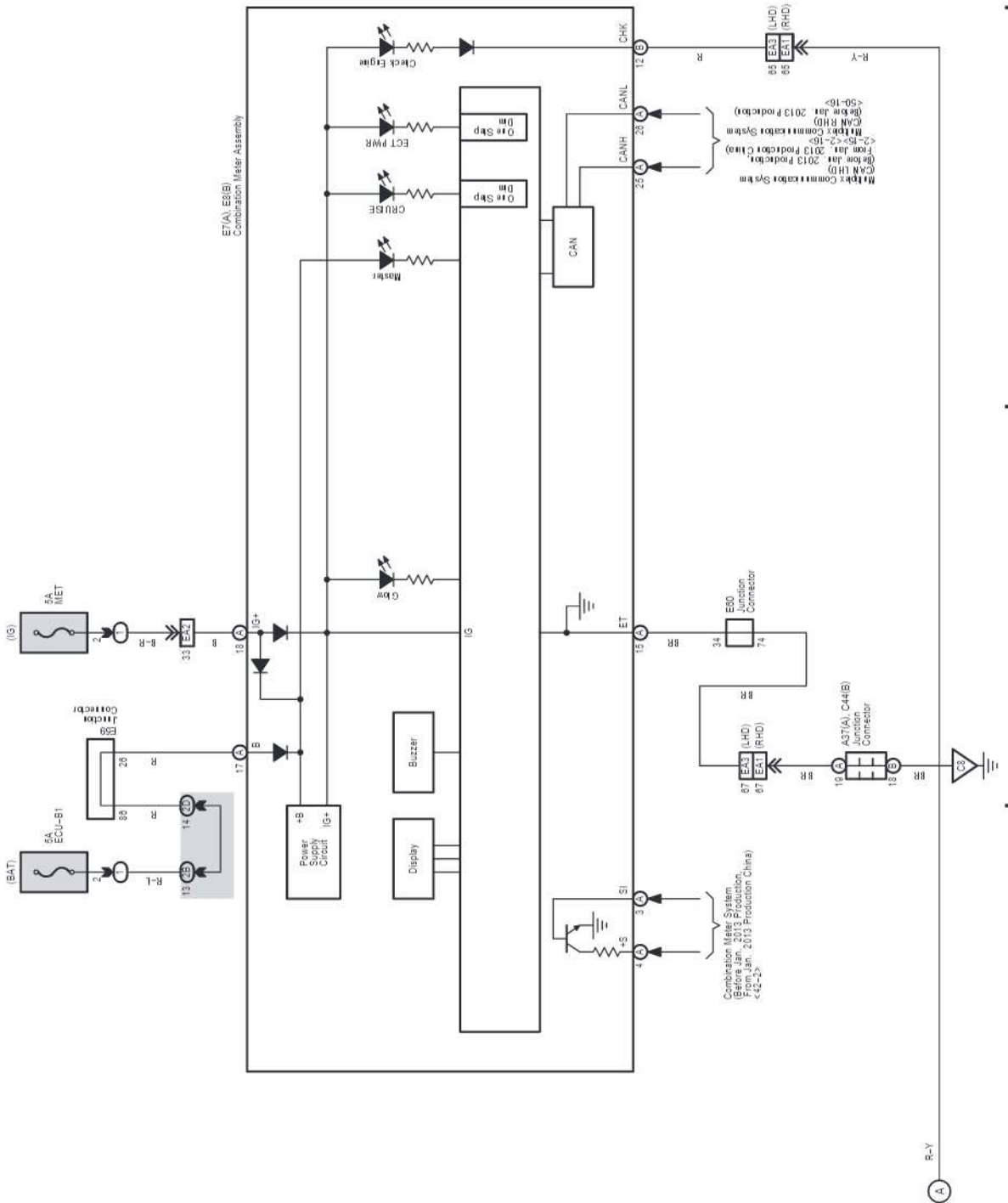
ECT and A/T Indicator (1VD-FTV w/ DPF) (Before Jan. 2013 Production)

28

27

26

25



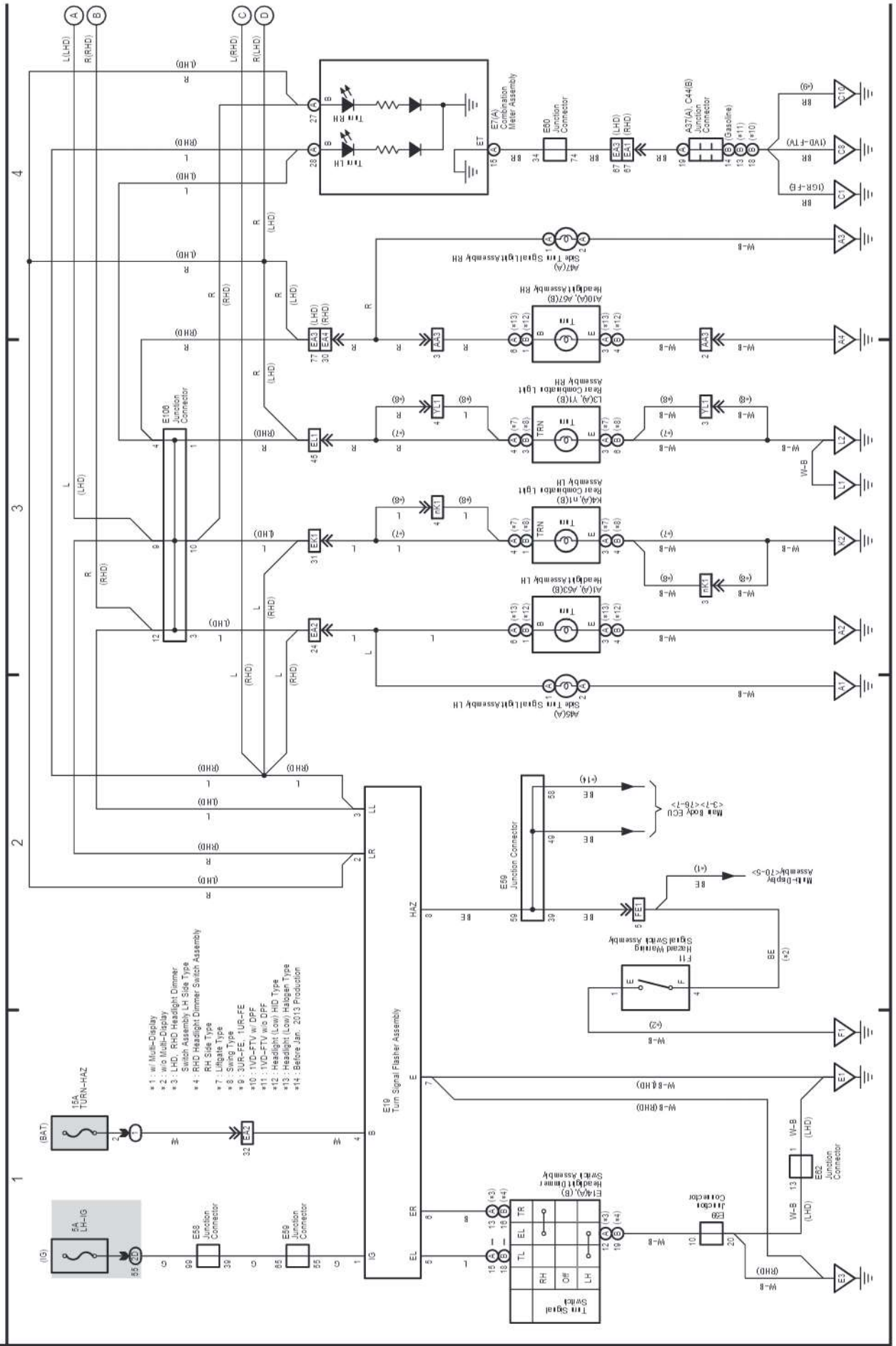


# M OVERALL ELECTRICAL WIRING DIAGRAM

(Cont. next page)

61 LAND CRUISER Station Wagon

Turn Signal and Hazard Warning Light (From Jan. 2012 Production)



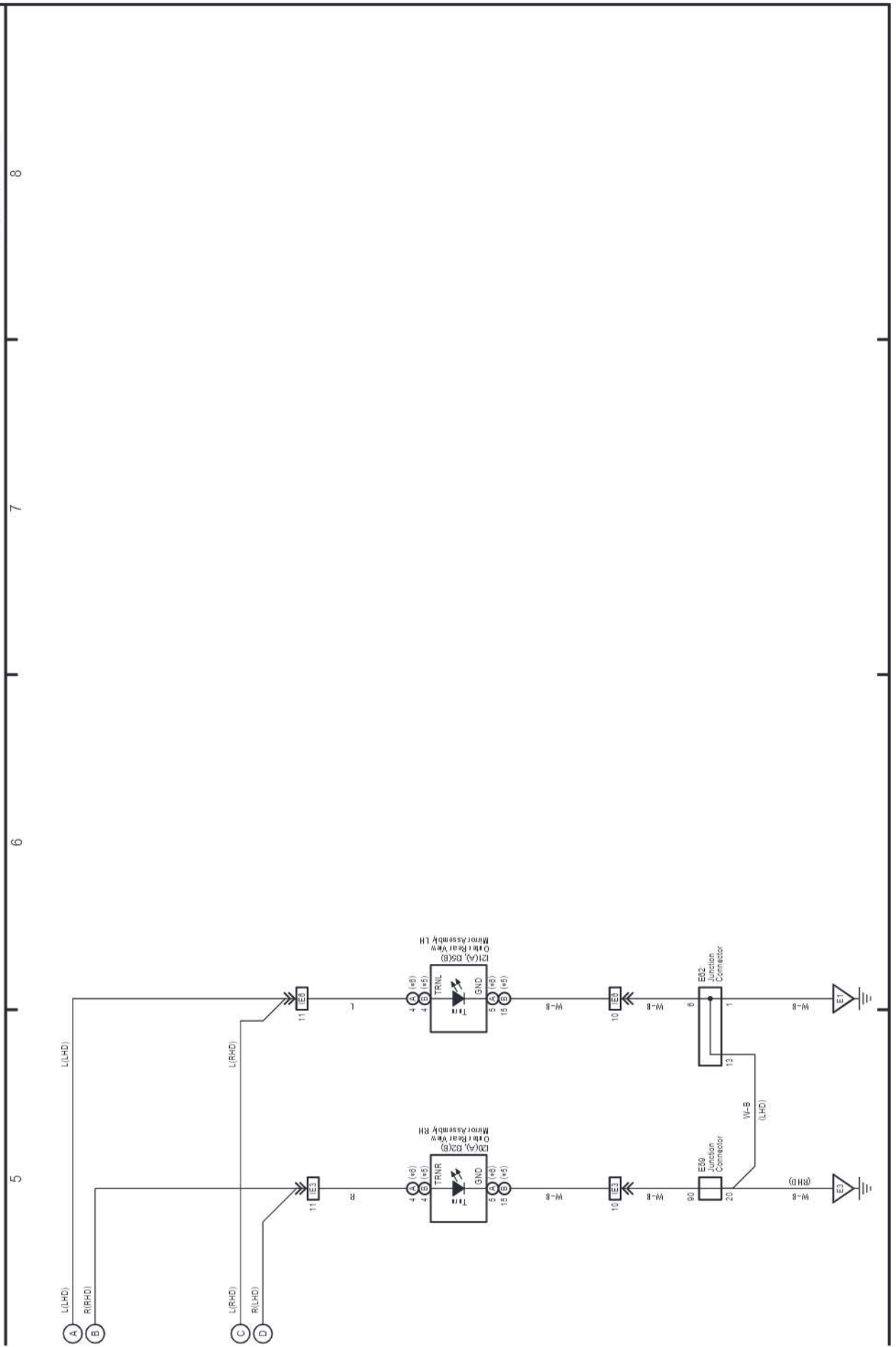
LAND CRUISER Station Wagon (EM22W1E)



61 LAND CRUISER Station Wagon (Cont' d)

Turn Signal and Hazard Warning Light (From Jan. 2012 Production)

\* 5 : w/ Multi-Terrain Monitor  
 \* 6 : w/o Multi-Terrain Monitor

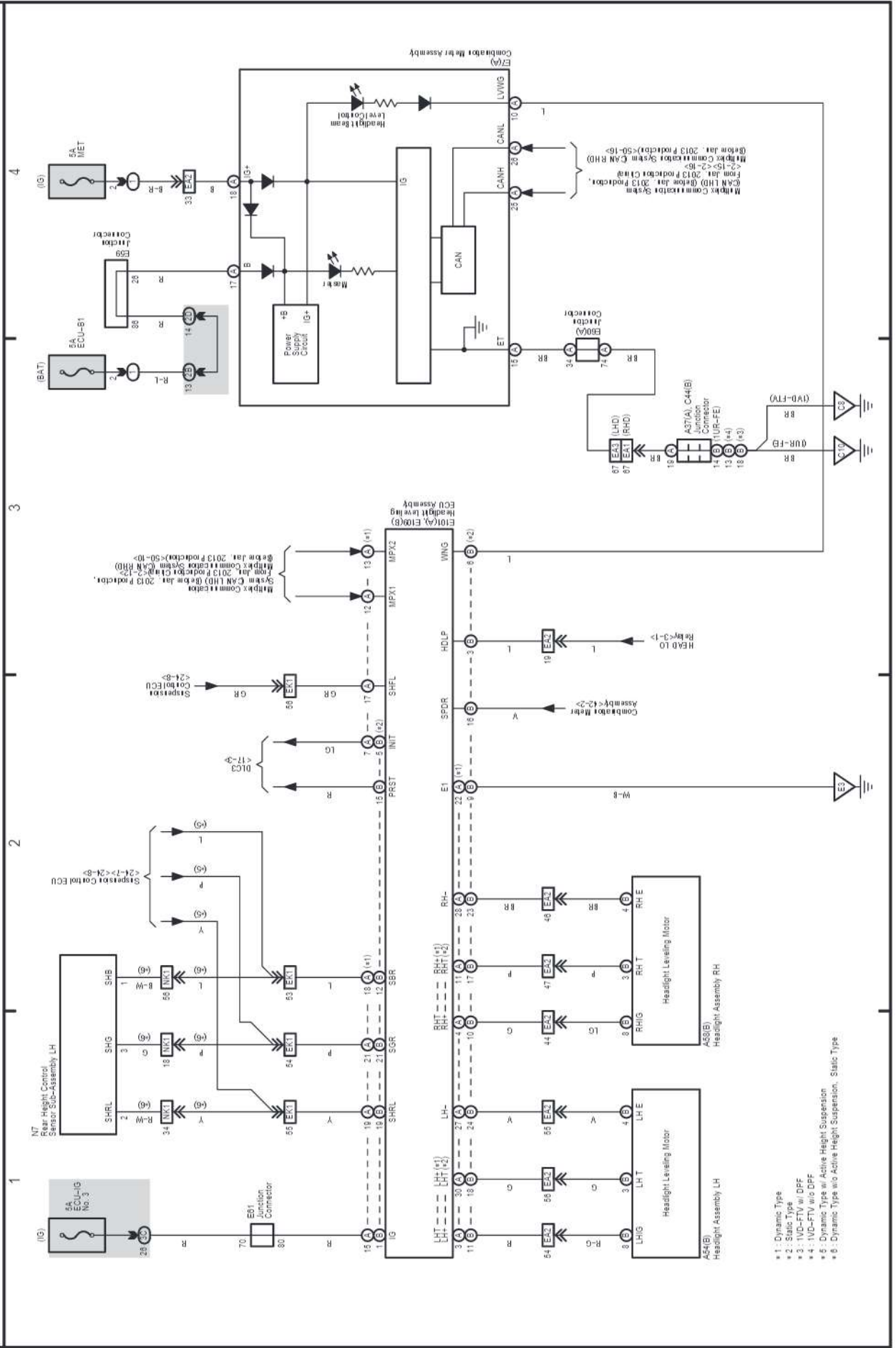


LAND CRUISER Station Wagon (EM22W1E)

# M OVERALL ELECTRICAL WIRING DIAGRAM

## 62 LAND CRUISER Station Wagon

### Headlight Beam Level Control (Automatic) (Before Jan. 2013 Production, From Jan. 2013 Production China)

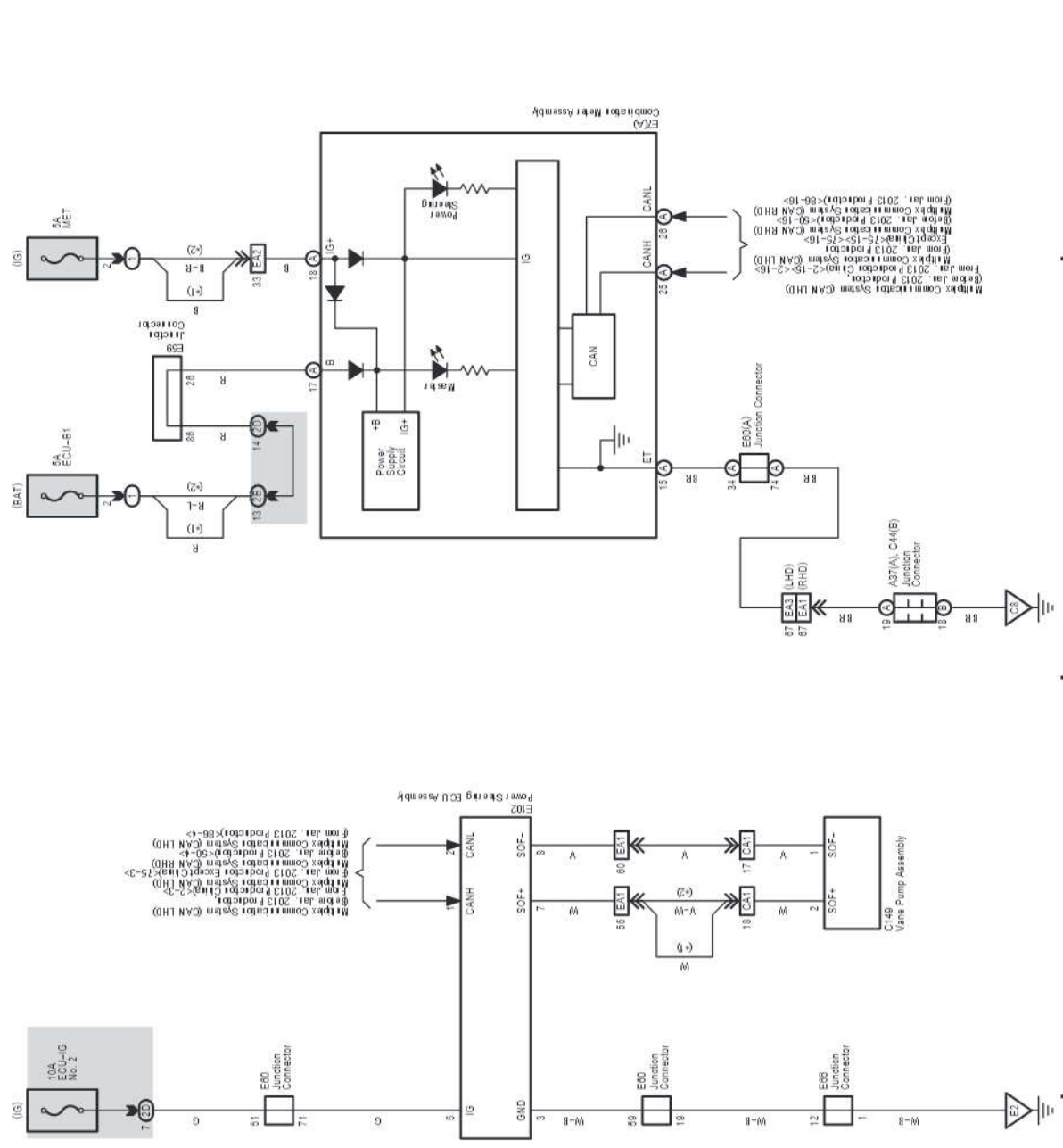


LAND CRUISER Station Wagon (EM22W1E)

Power Steering

1 2 3 4

\* 1: From Jan. 2013 Production Except China  
\* 2: Before Jan. 2013 Production. From Jan. 2013 Production China

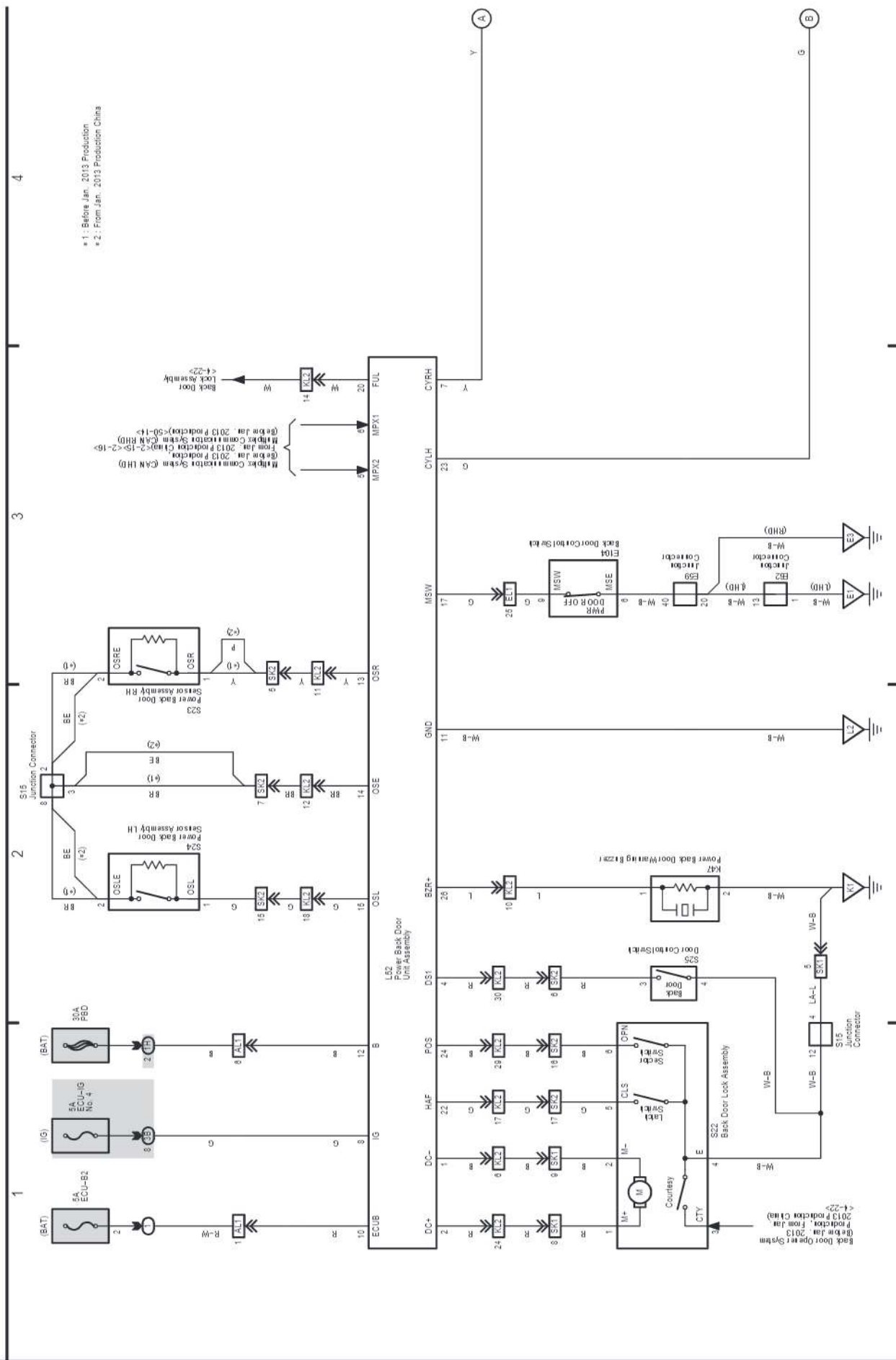


# M OVERALL ELECTRICAL WIRING DIAGRAM

(Cont. next page)

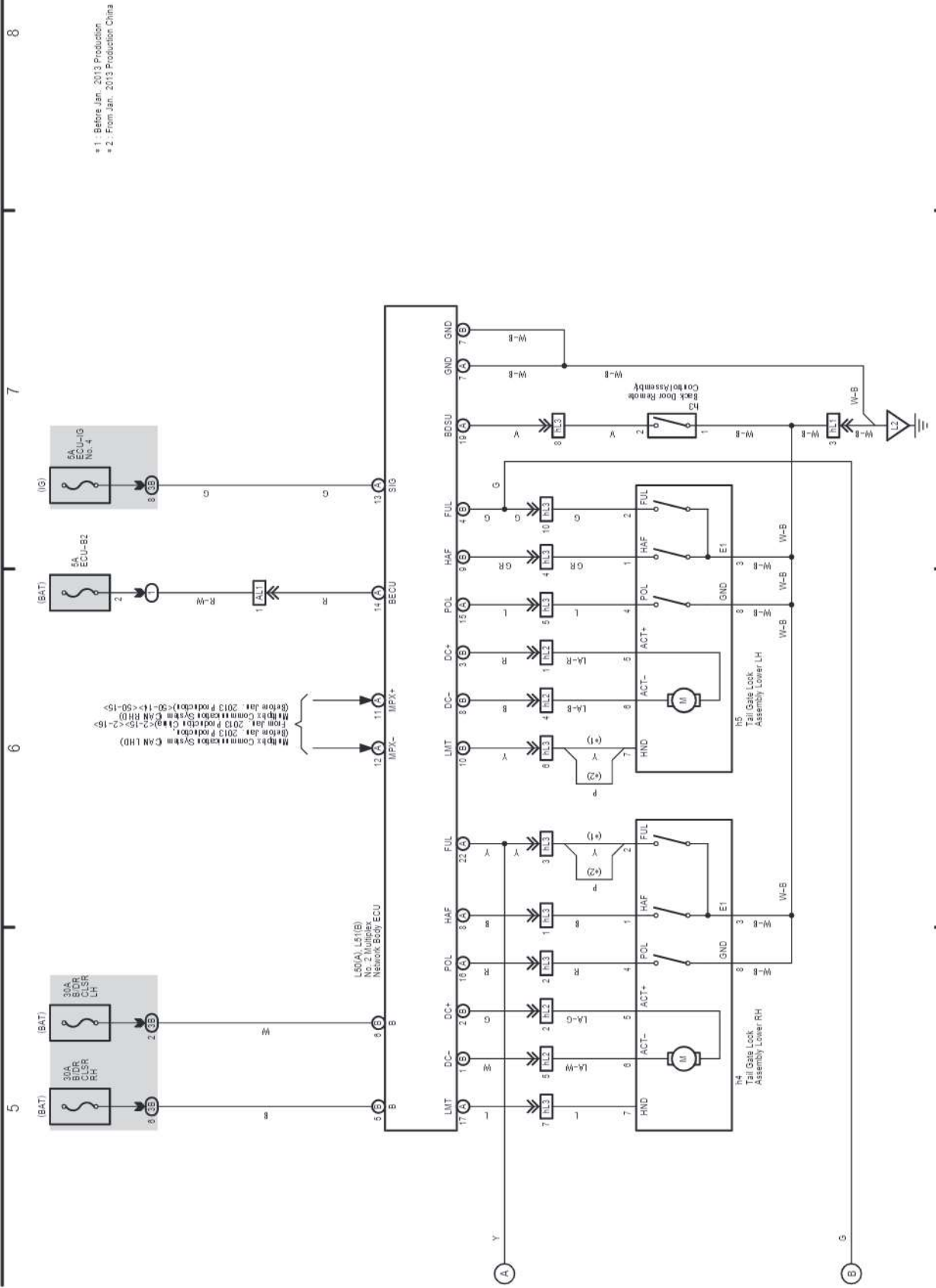
64 LAND CRUISER Station Wagon

Power Back Door (Before Jan. 2013 Production, From Jan. 2013 Production China)



64 LAND CRUISER Station Wagon (Cont' d)

Power Back Door (Before Jan. 2013 Production, From Jan. 2013 Production China)

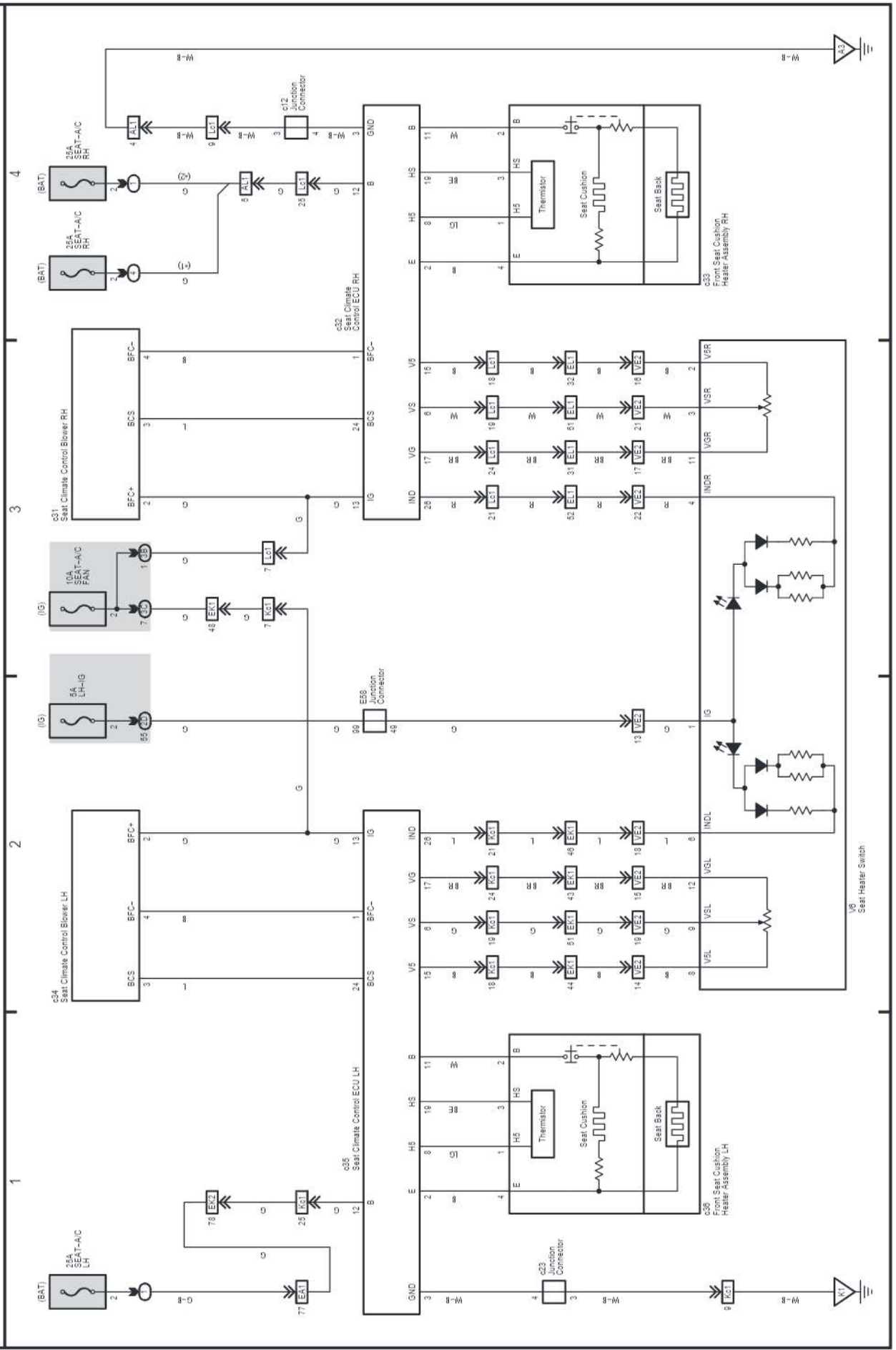


# M OVERALL ELECTRICAL WIRING DIAGRAM

## 65 LAND CRUISER Station Wagon

### Climate Control Seat (Driver's Seat and Front Passenger's Seat)

- \* 1: w/ Heated Windshield Defroster
- \* 2: w/o Heated Windshield Defroster



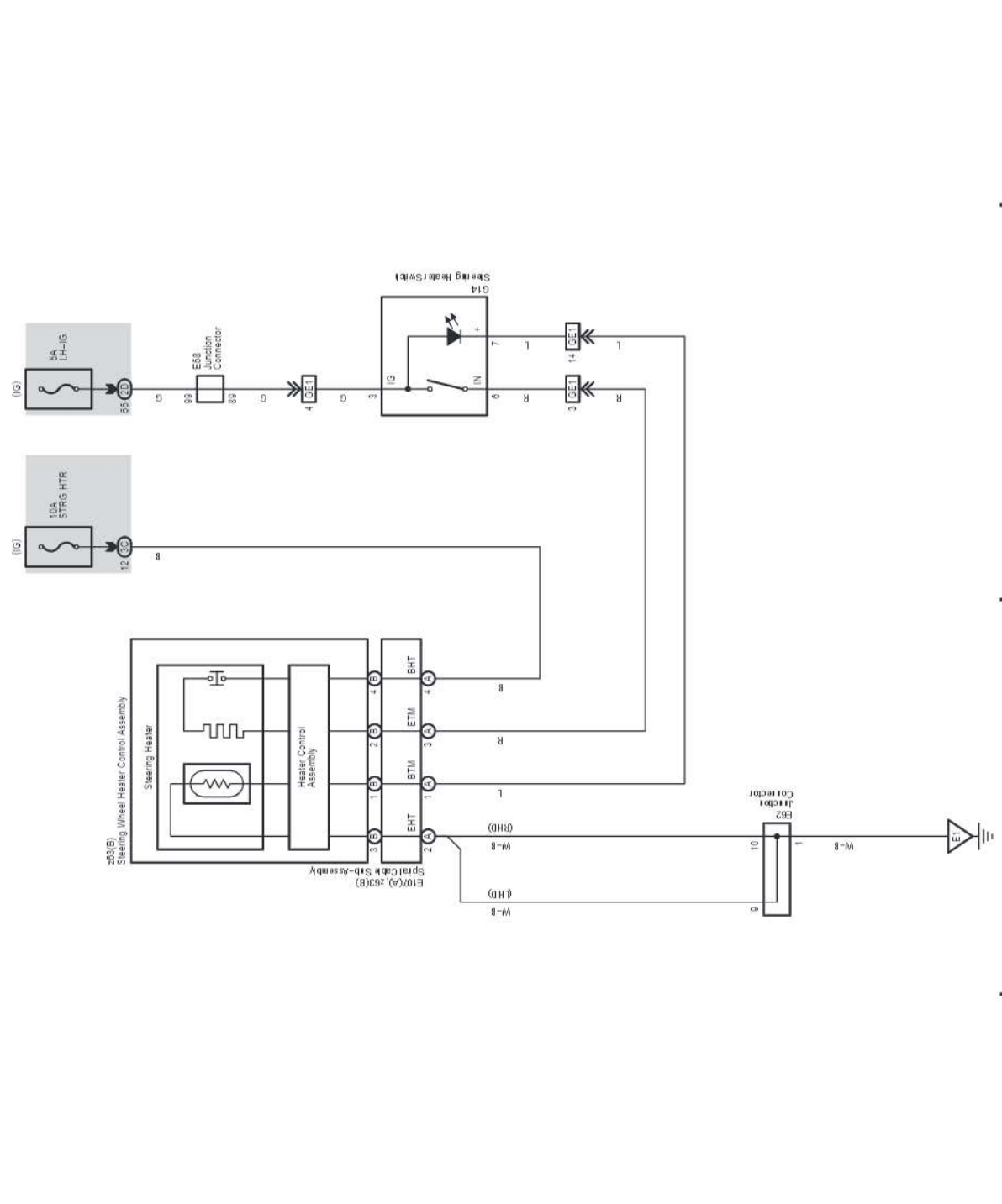


Heated Steering Wheel System

4

2

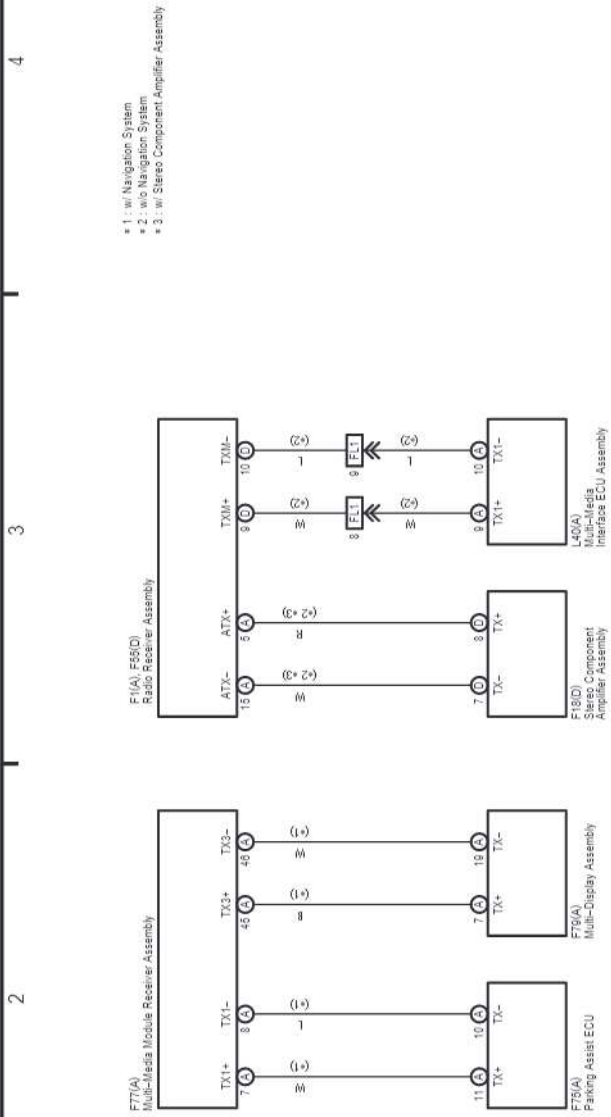
1



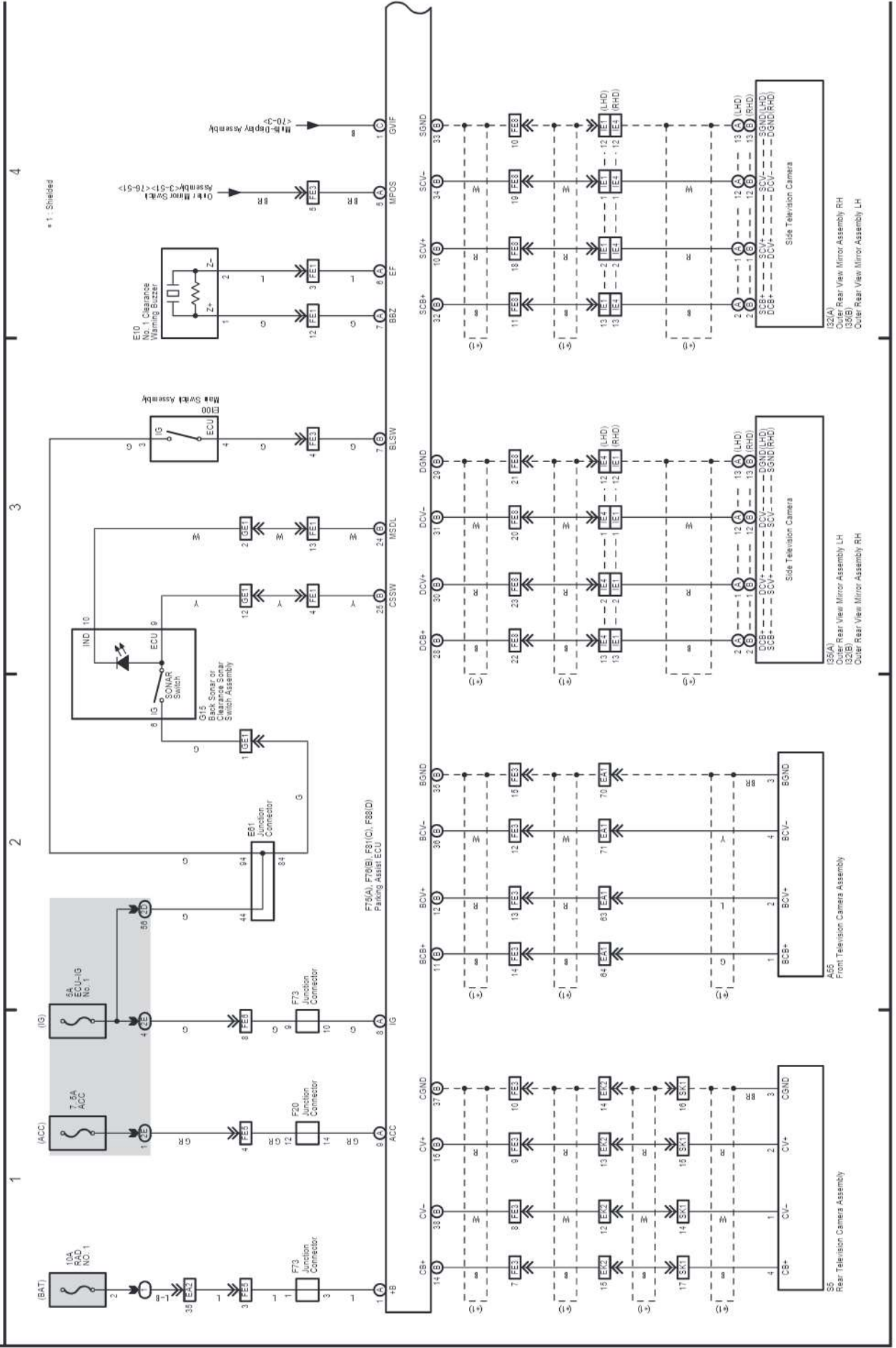
# M OVERALL ELECTRICAL WIRING DIAGRAM

67 LAND CRUISER Station Wagon

Multiplex Communication System (AVC-LAN) (From Jan. 2012 Production)



Multi-Terrain Monitor, Parking Assist (Back Guide Monitor) and Parking Assist (TOYOTA Parking Assist-Sensor w/ Multi-Terrain Monitor) (From Jan. 2012 Production)

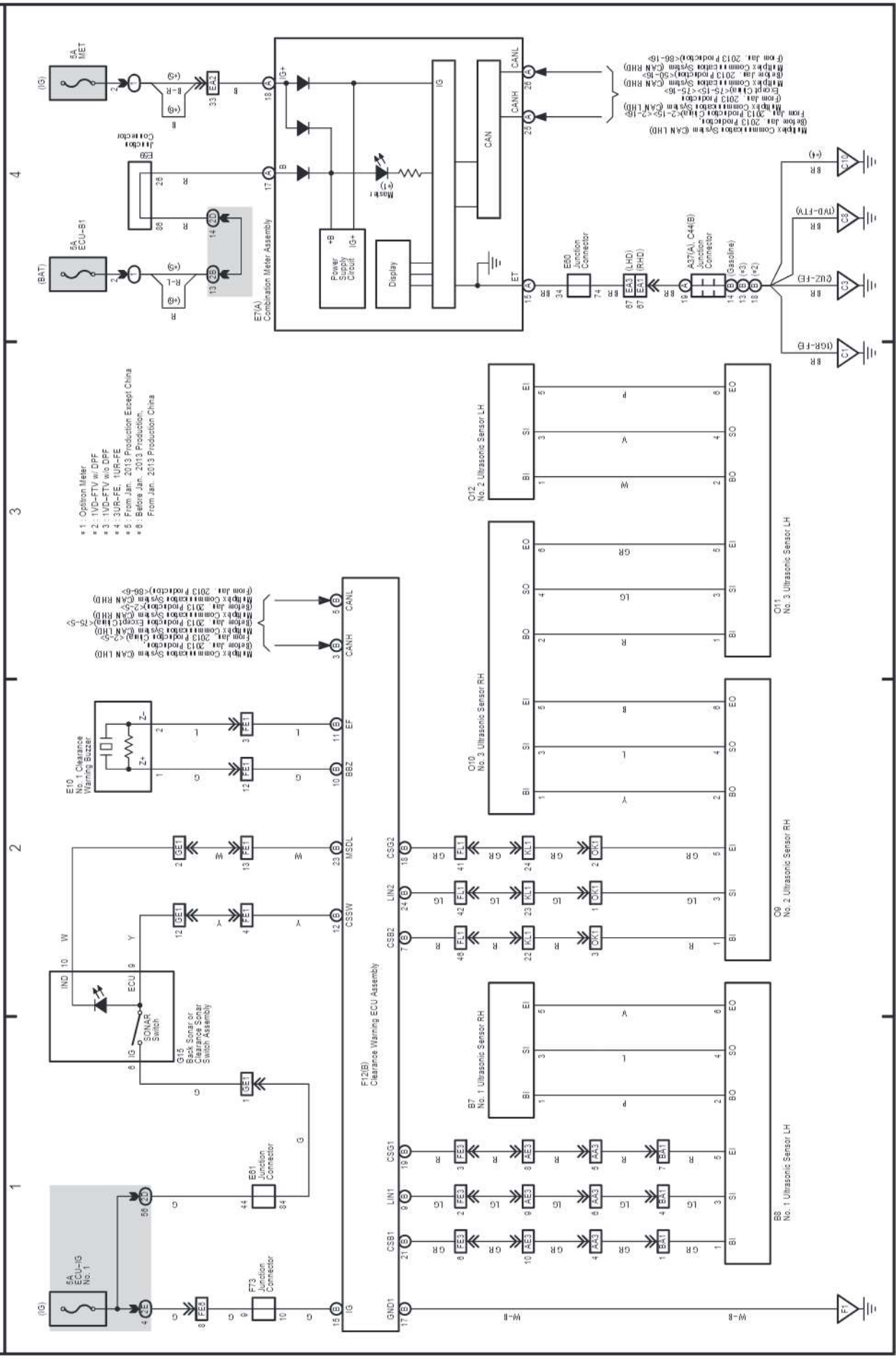




# M OVERALL ELECTRICAL WIRING DIAGRAM

## 69 LAND CRUISER Station Wagon

### Parking Assist (TOYOTA Parking Assist-Sensor w/o Multi-Terrain Monitor) (From Jan. 2012 Production)



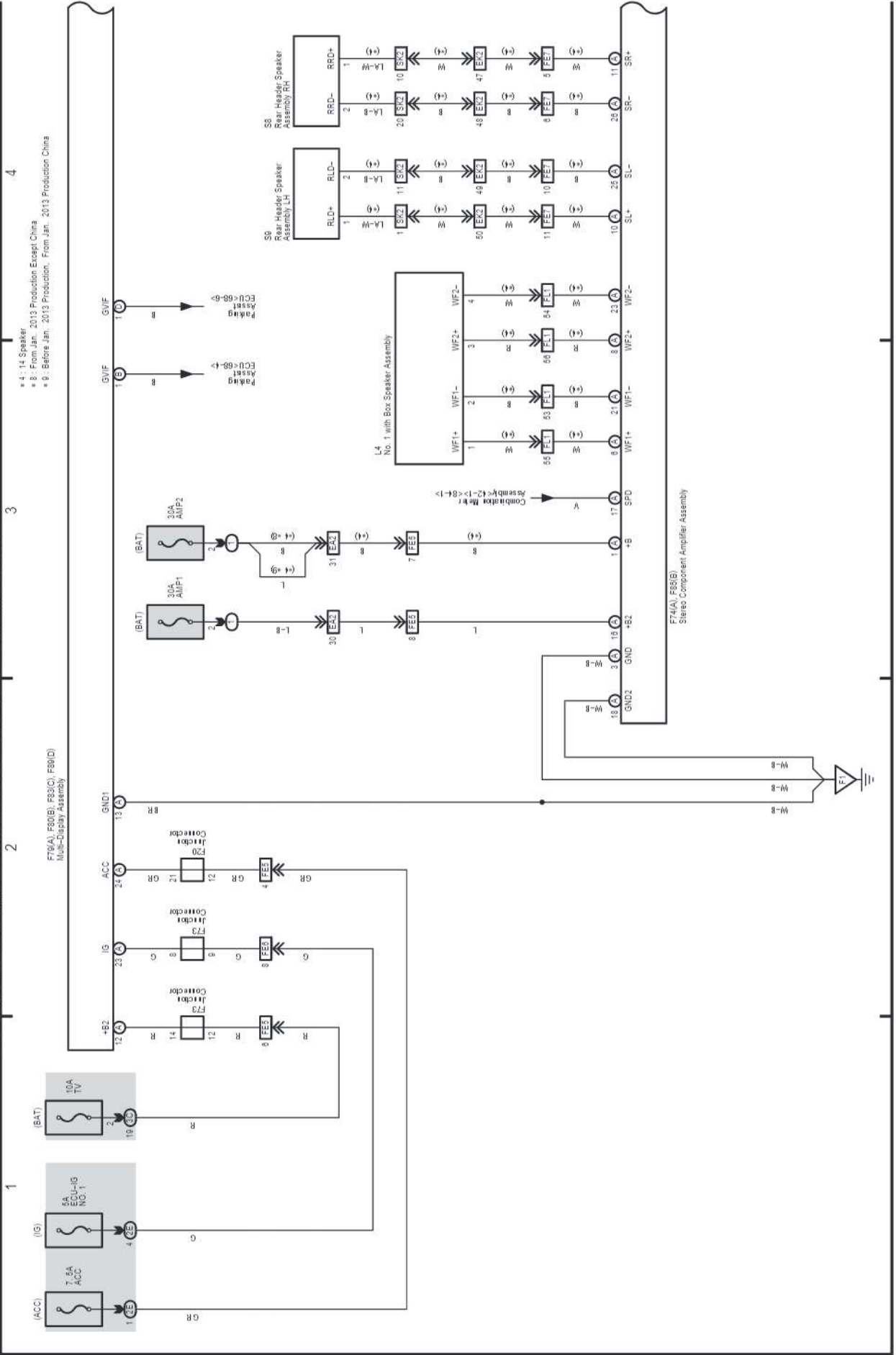
LAND CRUISER Station Wagon (EM22W1E)

# M OVERALL ELECTRICAL WIRING DIAGRAM

(Cont. next page)

70 LAND CRUISER Station Wagon

Audio System (w/ Stereo Component Amplifier w/ Navigation System) (From Jan. 2012 Production),  
Multi-Display (From Jan. 2012 Production), Navigation System (From Jan. 2012 Production)  
and Parking Assist (Rear View Monitor) (From Jan. 2012 Production)



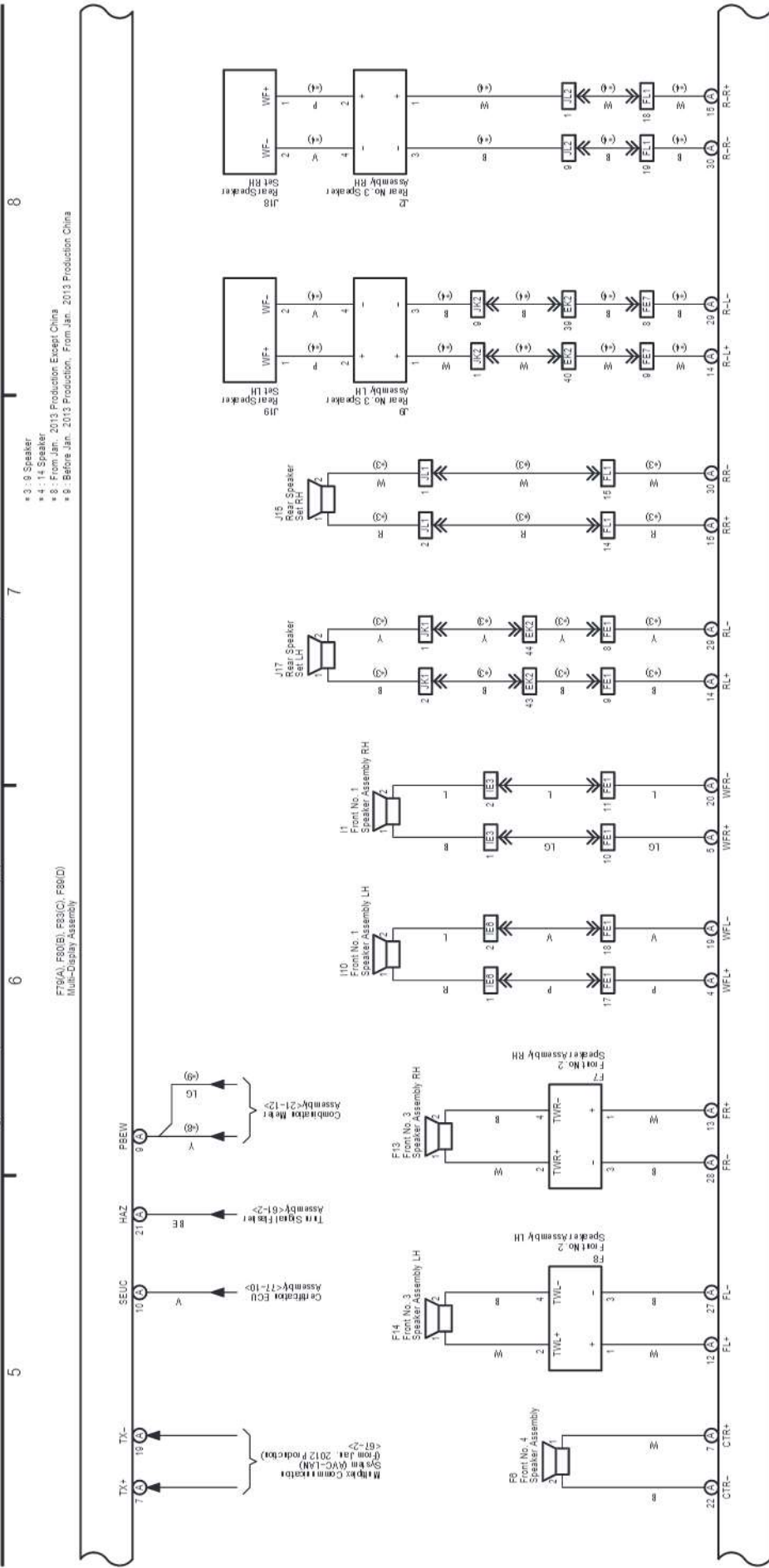
- \* 4 : 14 Speaker
- \* 8 : From Jan. 2013 Production Except China
- \* 9 : Before Jan. 2013 Production, From Jan. 2013 Production, China



70 LAND CRUISER Station Wagon (Cont' d)

(Cont. next page)

Audio System (w/ Stereo Component Amplifier w/ Navigation System) (From Jan. 2012 Production),  
 Multi-Display (From Jan. 2012 Production), Navigation System (From Jan. 2012 Production)  
 and Parking Assist (Rear View Monitor) (From Jan. 2012 Production)



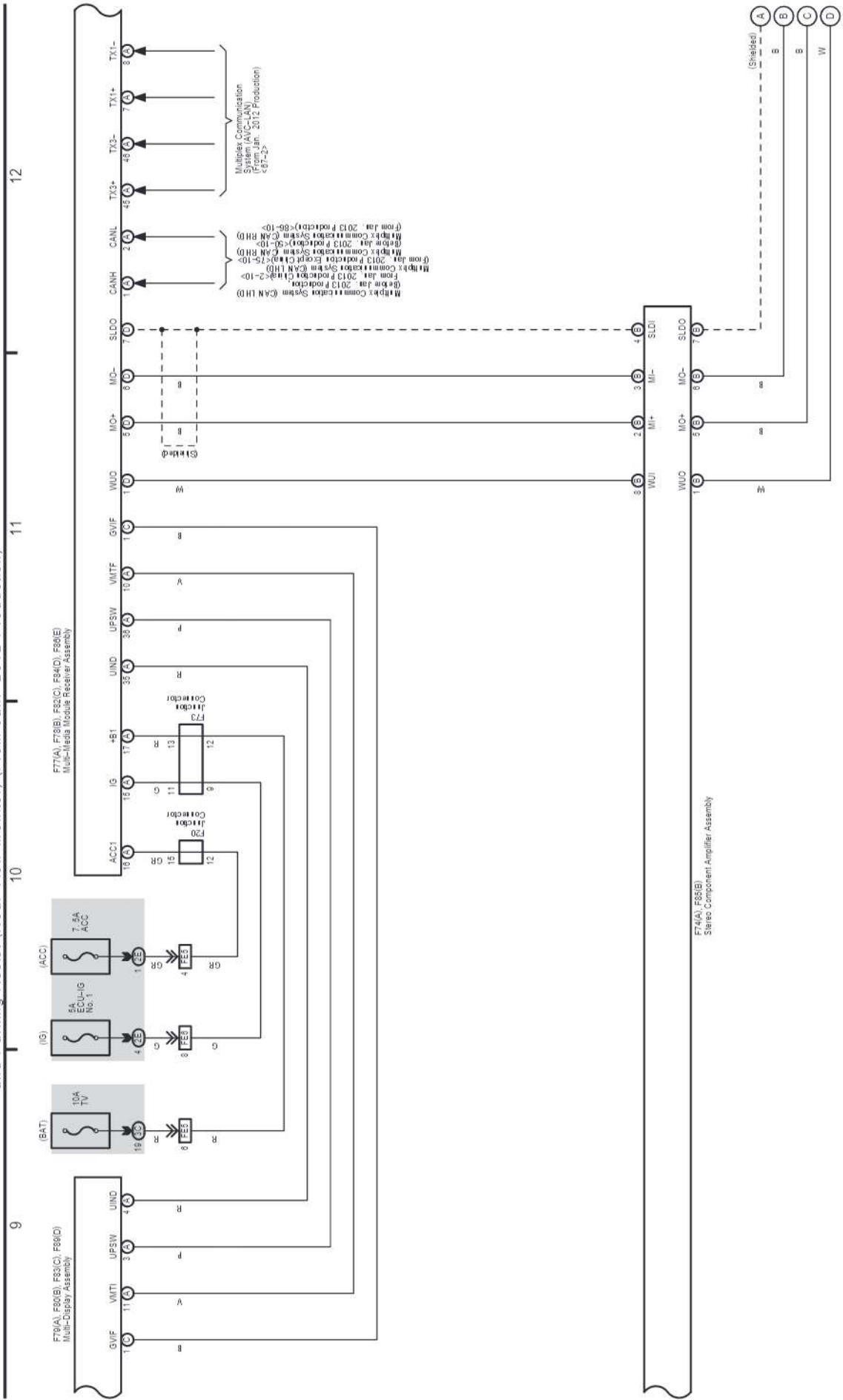
F74(A), F82(B)  
Stereo Component Amplifier Assembly

- \* 3 - 9 Speaker
- \* 4 - 14 Speaker
- \* 8 - From Jan. 2013 Production Except China
- \* 9 - Before Jan. 2013 Production, From Jan. 2013 Production, China

70 LAND CRUISER Station Wagon (Cont' d)

(Cont. next page)

Audio System (w/ Stereo Component Amplifier w/ Navigation System) (From Jan. 2012 Production),  
 Multi-Display (From Jan. 2012 Production), Navigation System (From Jan. 2012 Production)  
 and Parking Assist (Rear View Monitor) (From Jan. 2012 Production)



70 LAND CRUISER Station Wagon (Cont' d)

(Cont. next page)

Audio System (w/ Stereo Component Amplifier w/ Navigation System) (From Jan. 2012 Production),  
 Multi-Display (From Jan. 2012 Production), Navigation System (From Jan. 2012 Production)  
 and Parking Assist (Rear View Monitor) (From Jan. 2012 Production)

13

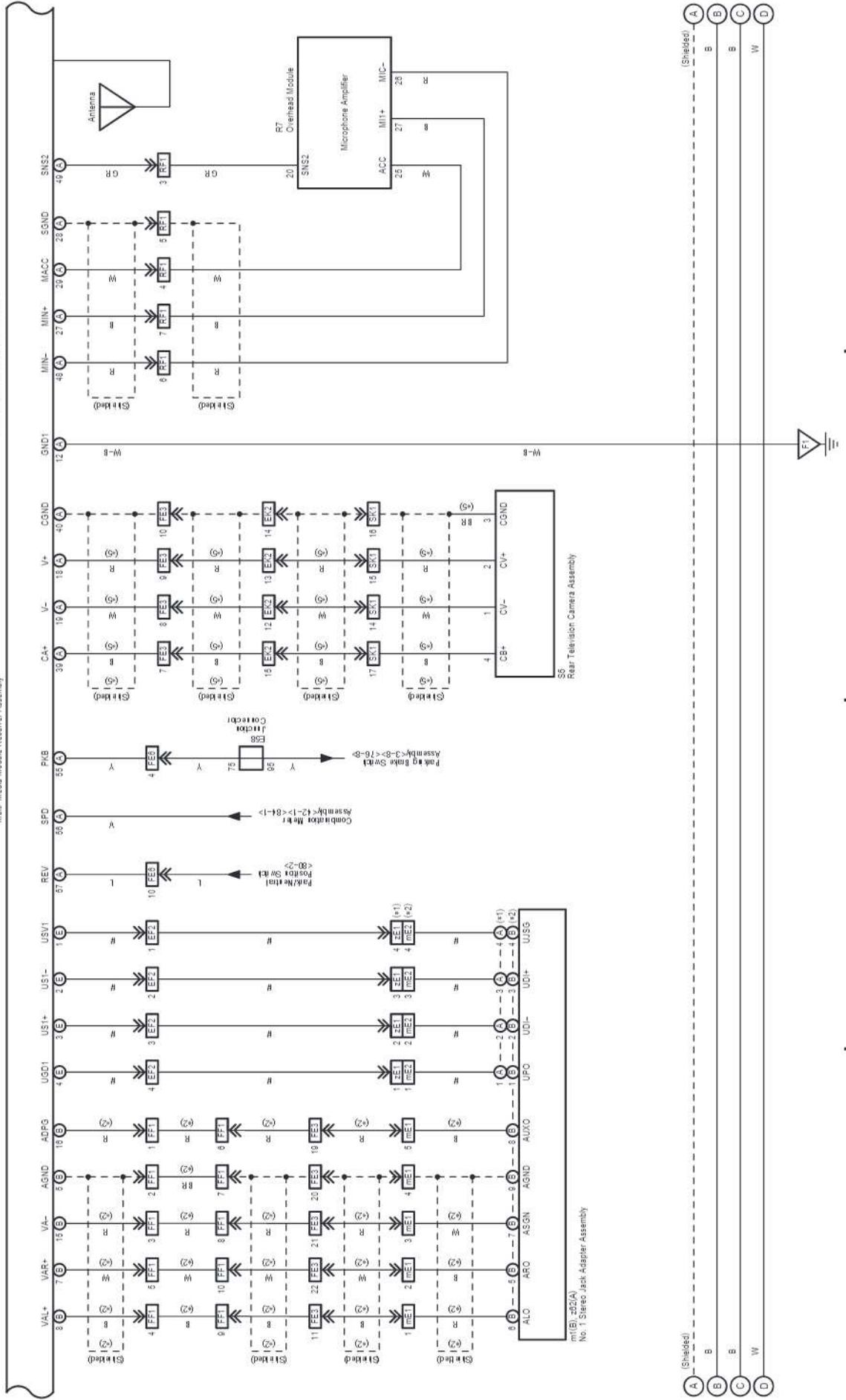
14

15

16

- \*1 - w/ Rear Seat Entertainment System
- \*2 - w/o Rear Seat Entertainment System
- \*6 - w/o Back Guide Monitor
- #: There is no wire color information.

F77(A), F78(B), F82(C), F84(D), F88(E)  
 Multi-Meters Module Reader Assembly

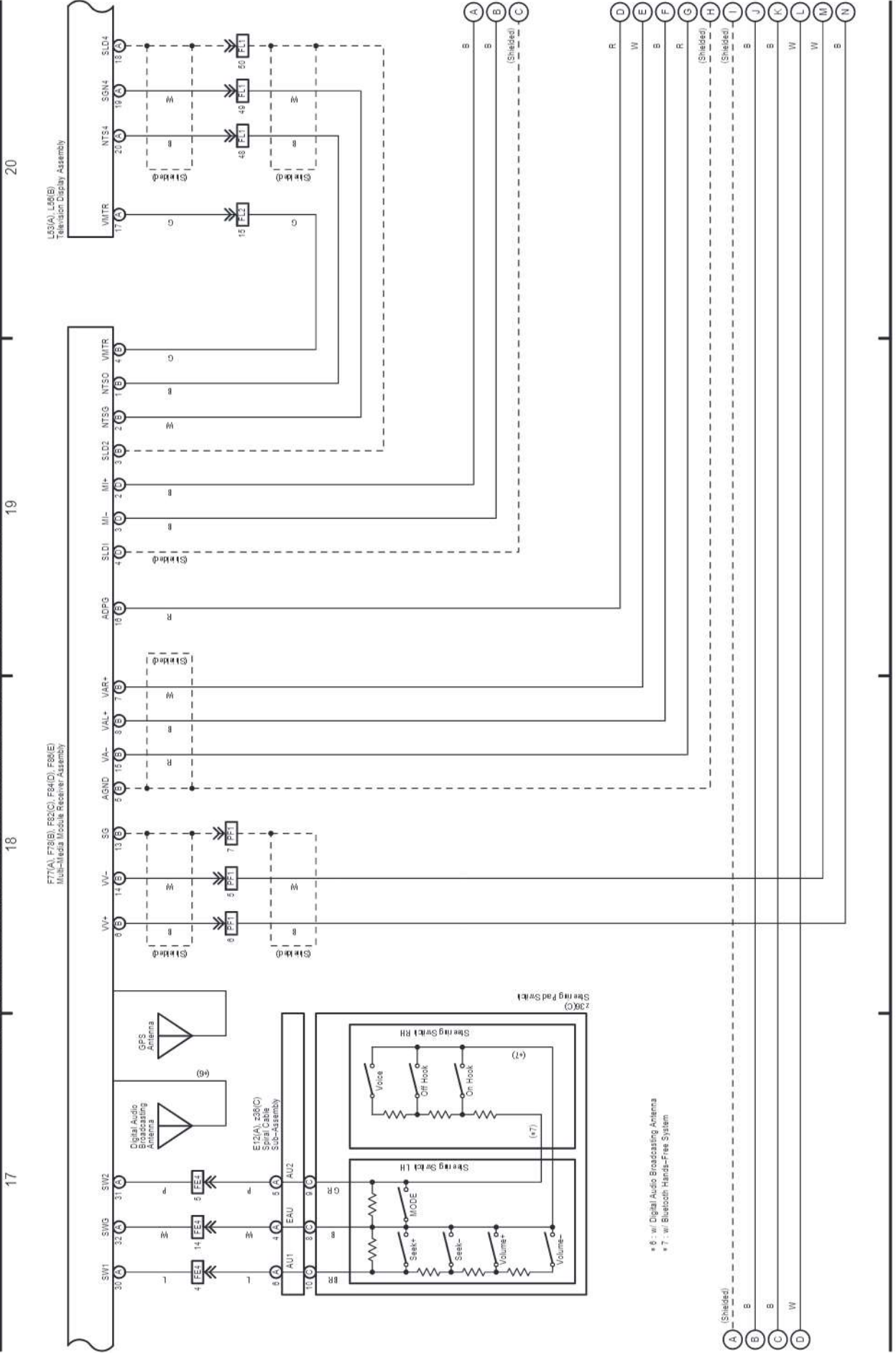


# M OVERALL ELECTRICAL WIRING DIAGRAM

## 70 LAND CRUISER Station Wagon (Cont' d)

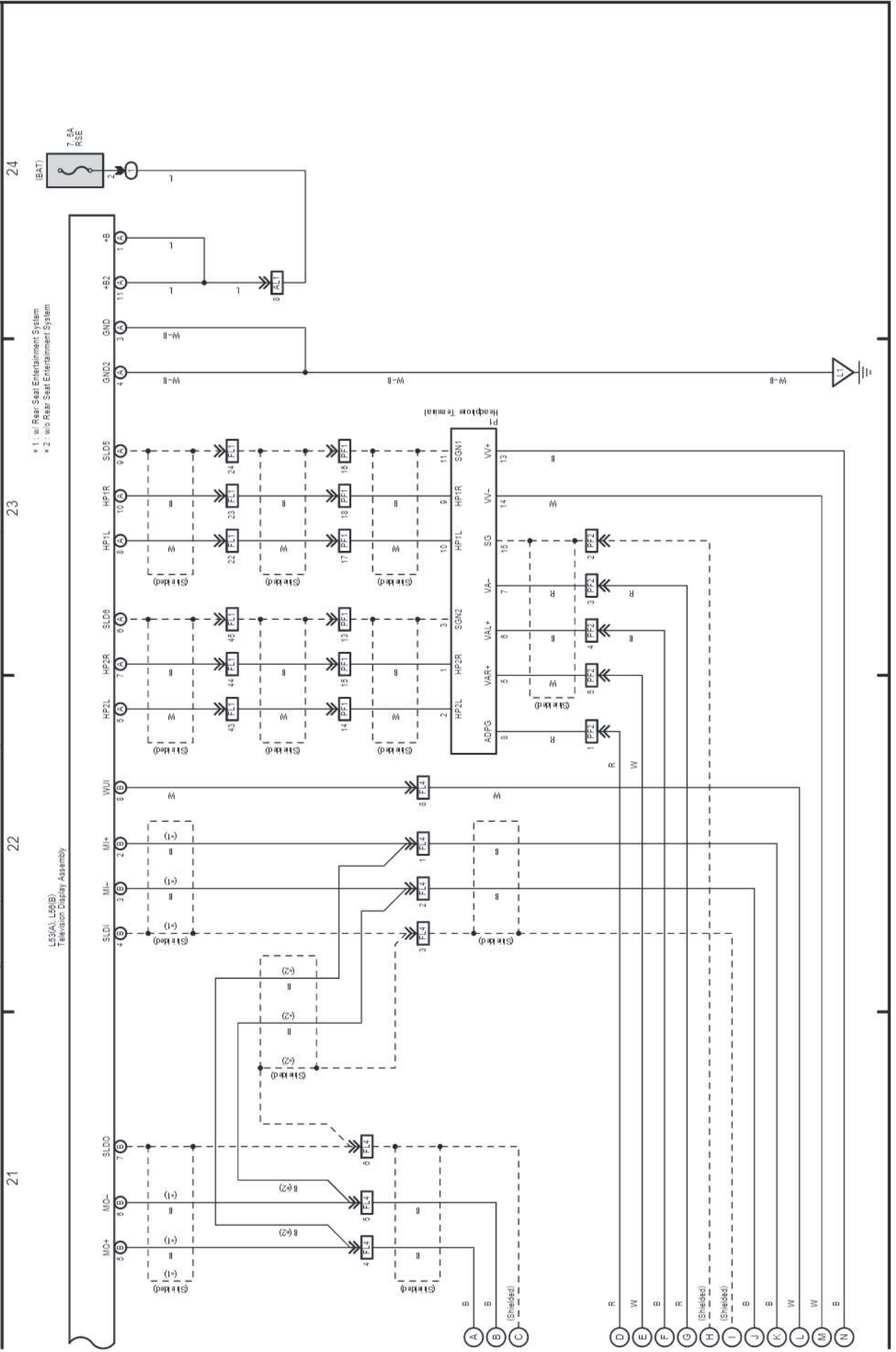
Audio System (w/ Stereo Component Amplifier w/ Navigation System) (From Jan. 2012 Production),  
Multi-Display (From Jan. 2012 Production), Navigation System (From Jan. 2012 Production)  
and Parking Assist (Rear View Monitor) (From Jan. 2012 Production)

(Cont. next page)



70 LAND CRUISER Station Wagon (Cont' d)

Audio System (w/ Stereo Component Amplifier w/ Navigation System) (From Jan. 2012 Production),  
 Multi-Display (From Jan. 2012 Production), Navigation System (From Jan. 2012 Production)  
 and Parking Assist (Rear View Monitor) (From Jan. 2012 Production)



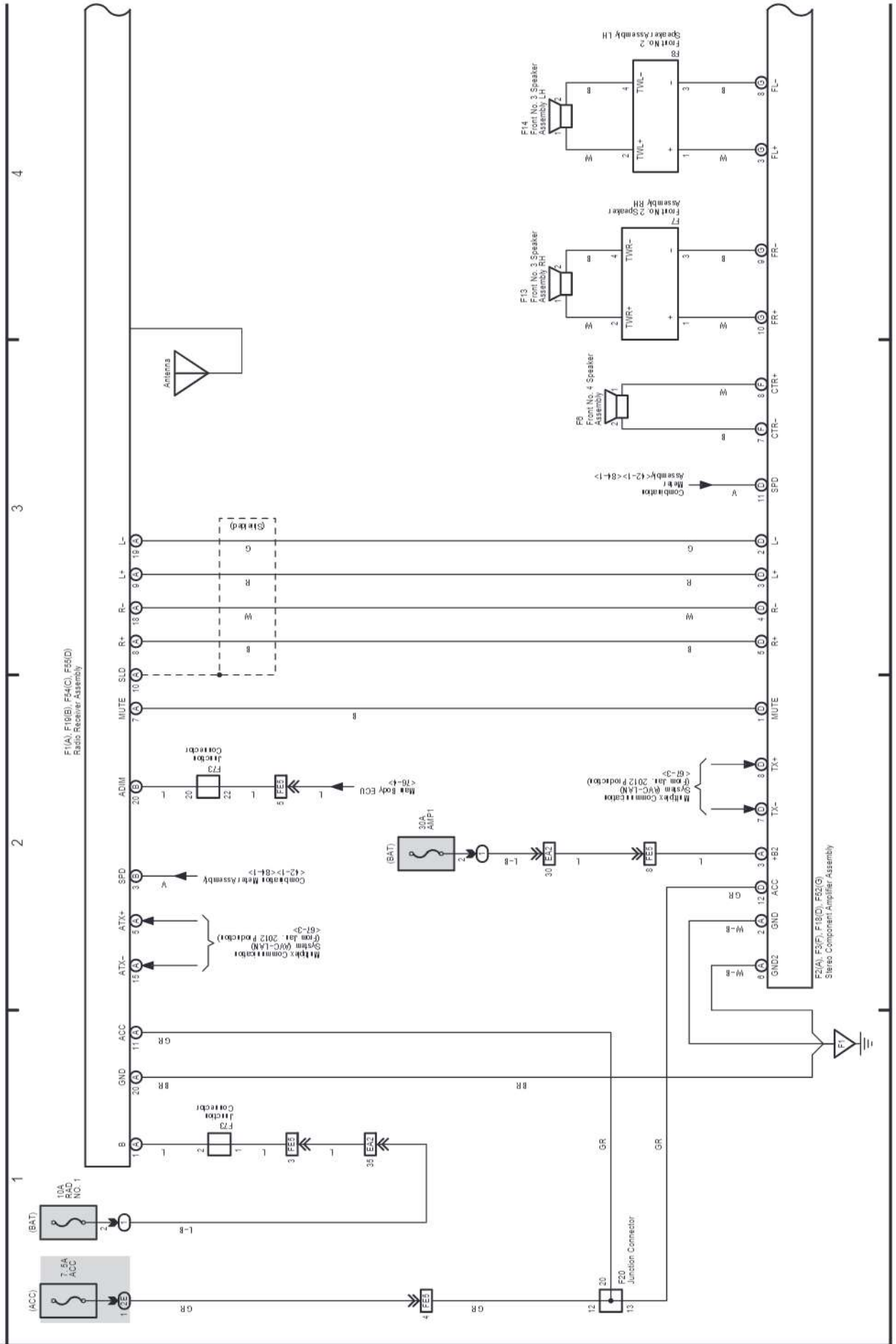


# M OVERALL ELECTRICAL WIRING DIAGRAM

(Cont. next page)

71 LAND CRUISER Station Wagon

Audio System (w/ Stereo Component Amplifier w/o Navigation System) (From Jan. 2012 Production)





Audio System (w/ Stereo Component Amplifier w/o Navigation System) (From Jan. 2012 Production)

8

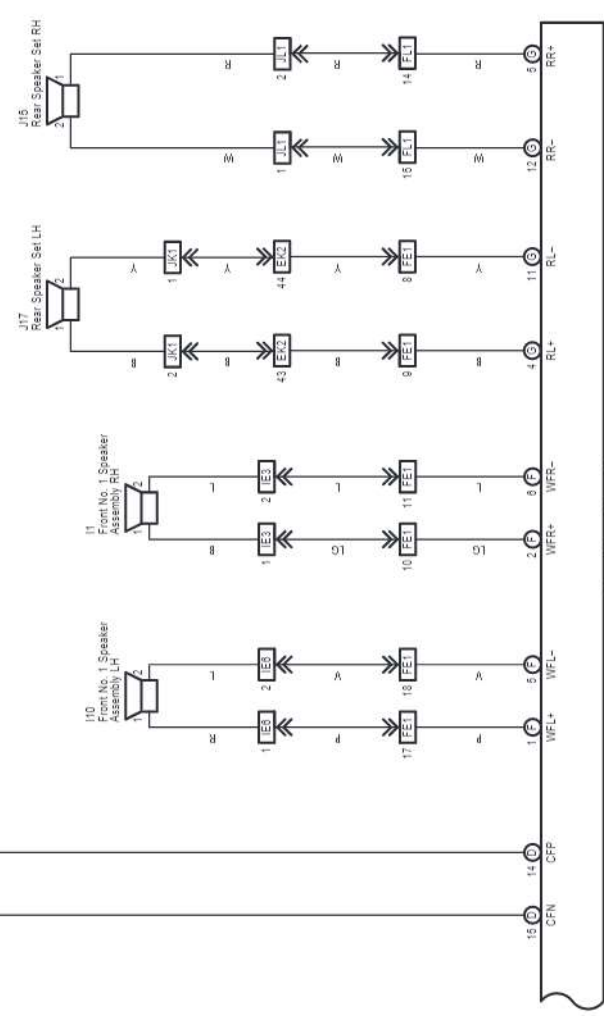
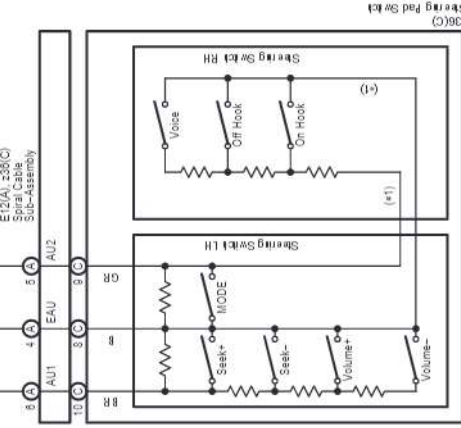
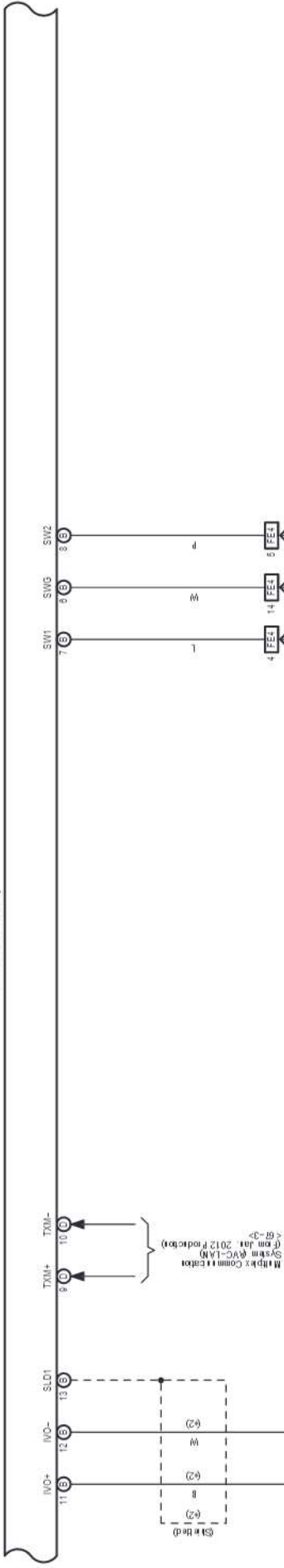
7

6

5

\* 1 : w/ Bluetooth Hands-Free System  
\* 2 : From Jan. 2013 Production Except China

F1(A), F1(B), F54(C), F55(D)  
Radio Receiver Assembly



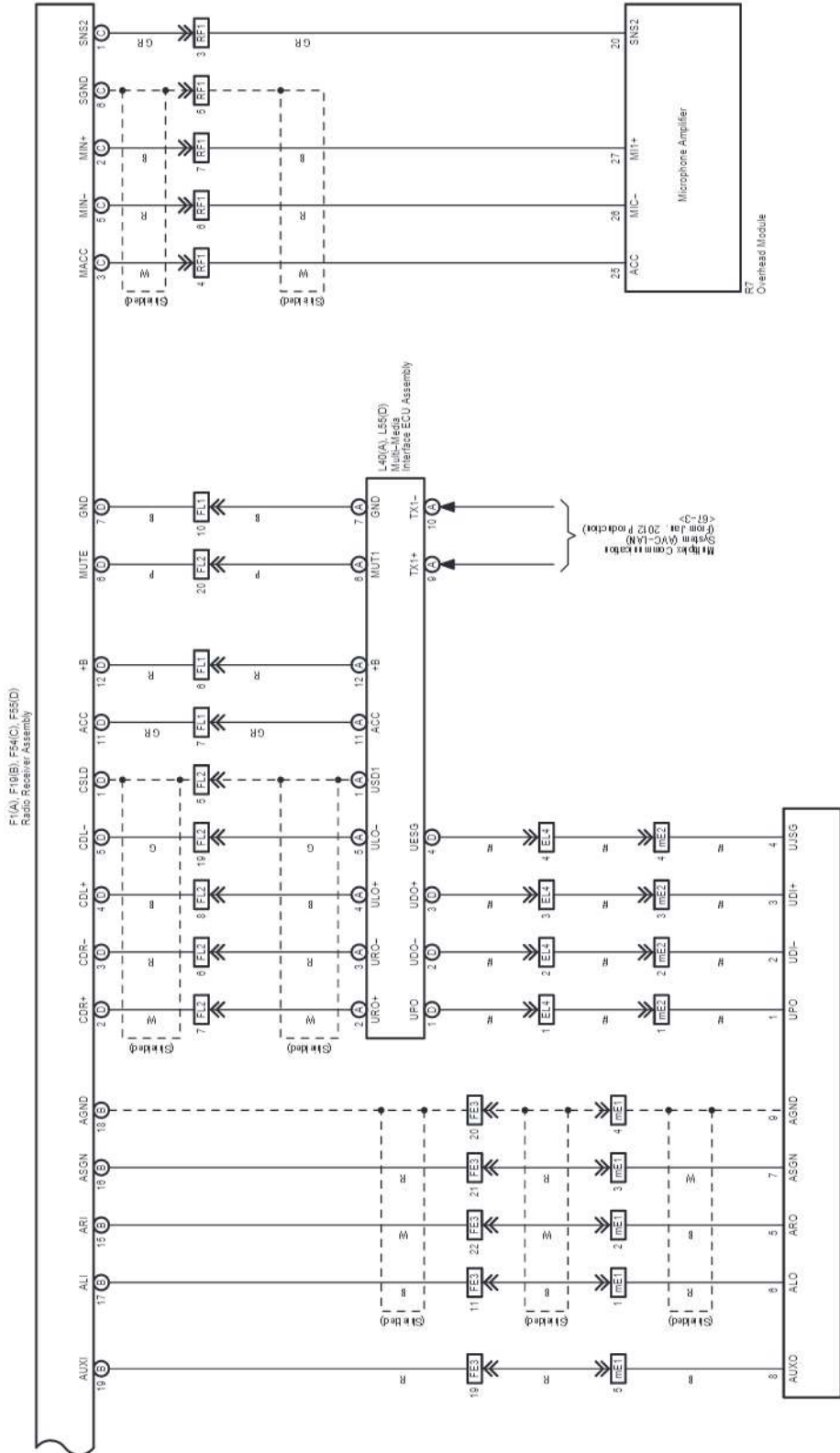
F2(A), F3(F), F18(D), F32(G)  
Stereo Component Amplifier Assembly

# M OVERALL ELECTRICAL WIRING DIAGRAM

## 71 LAND CRUISER Station Wagon (Cont' d)

Audio System (w/ Stereo Component Amplifier w/o Navigation System) (From Jan. 2012 Production)

9 10 11 12

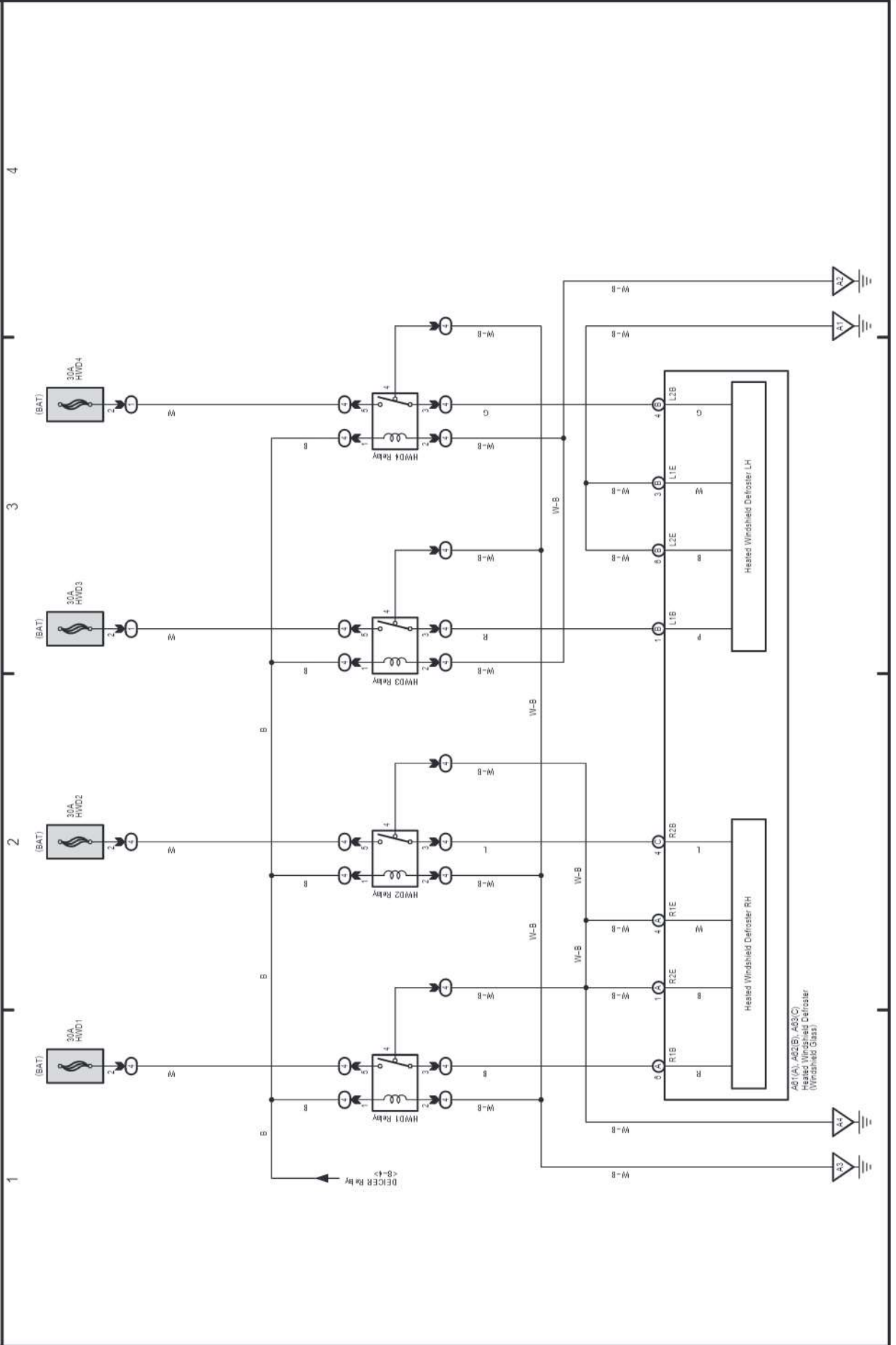


m1 No. 1 Stereo Jack Adapter Assembly

# : There is no wire color information.

72 LAND CRUISER Station Wagon

Heated Windshield Defroster



LAND CRUISER Station Wagon (EM22W1E)

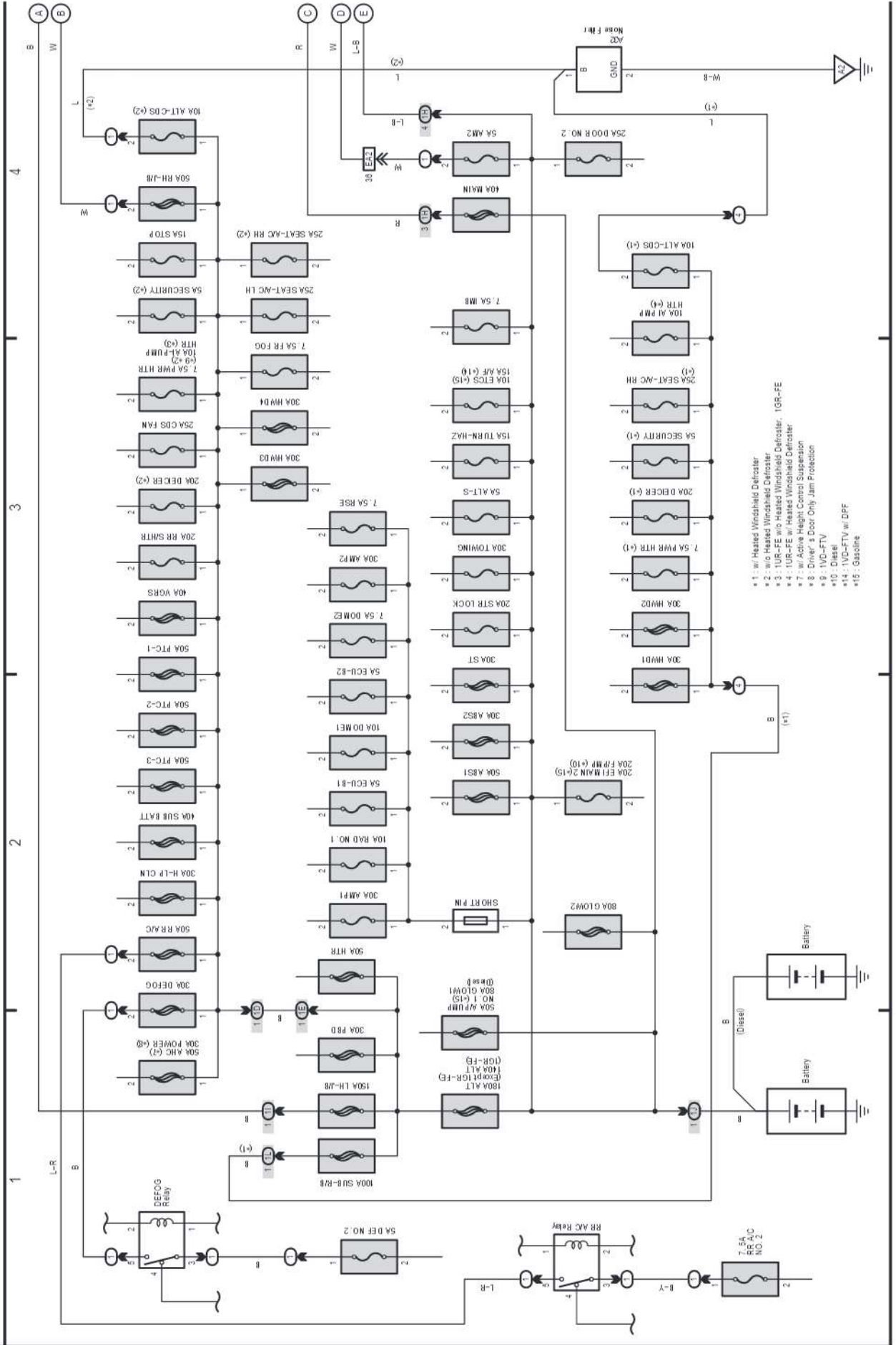


# M OVERALL ELECTRICAL WIRING DIAGRAM

(Cont. next page)

74 LAND CRUISER Station Wagon

Power Source (From Jan. 2013 Production Except China)



LAND CRUISER Station Wagon (EM22W1E)



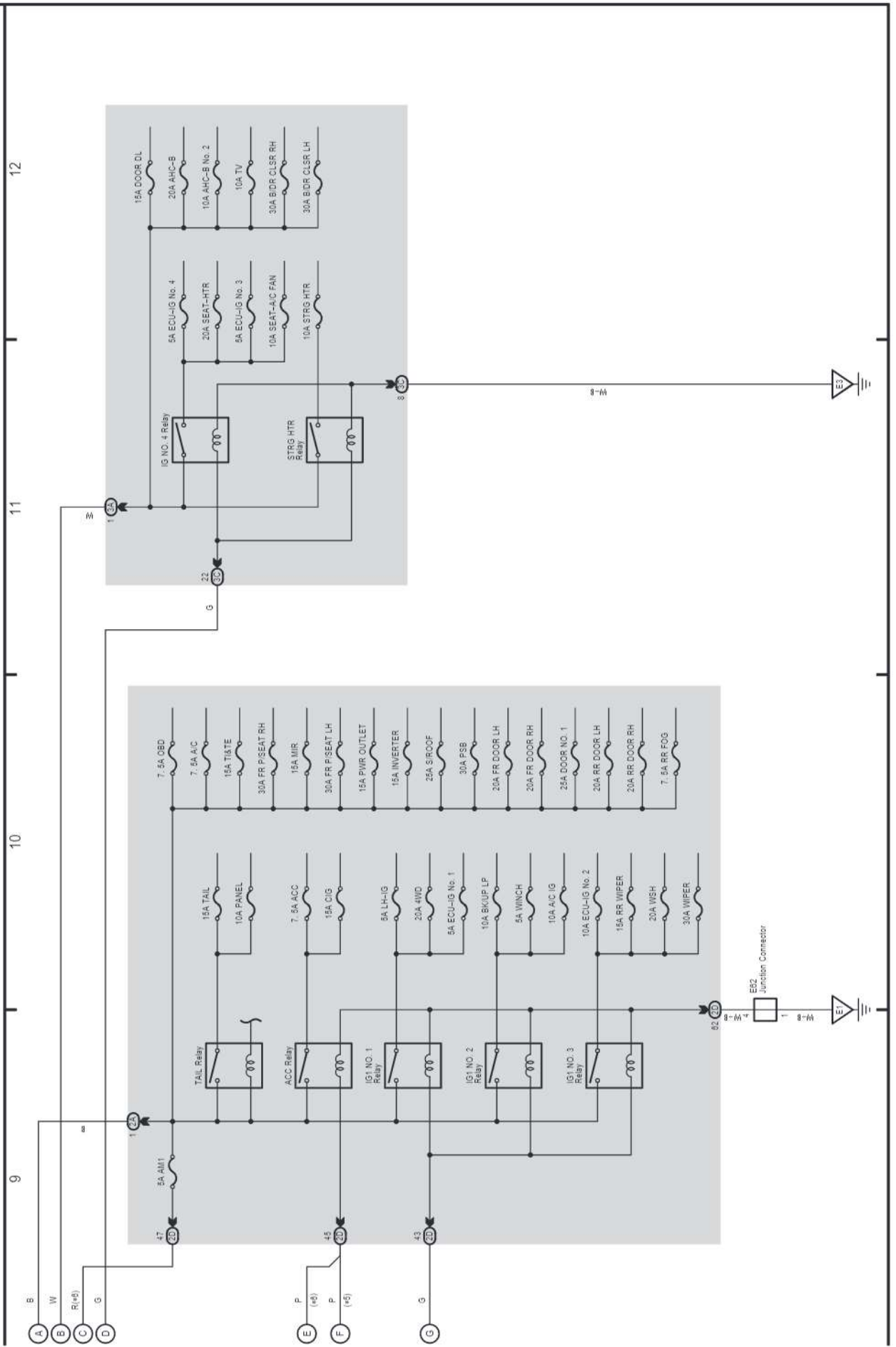


# M OVERALL ELECTRICAL WIRING DIAGRAM

## 74 LAND CRUISER Station Wagon (Cont' d)

Power Source (From Jan. 2013 Production Except China)

\* 5 : w/ Entry & Start System  
 \* 6 : w/o Entry & Start System



LAND CRUISER Station Wagon (EM22W1E)

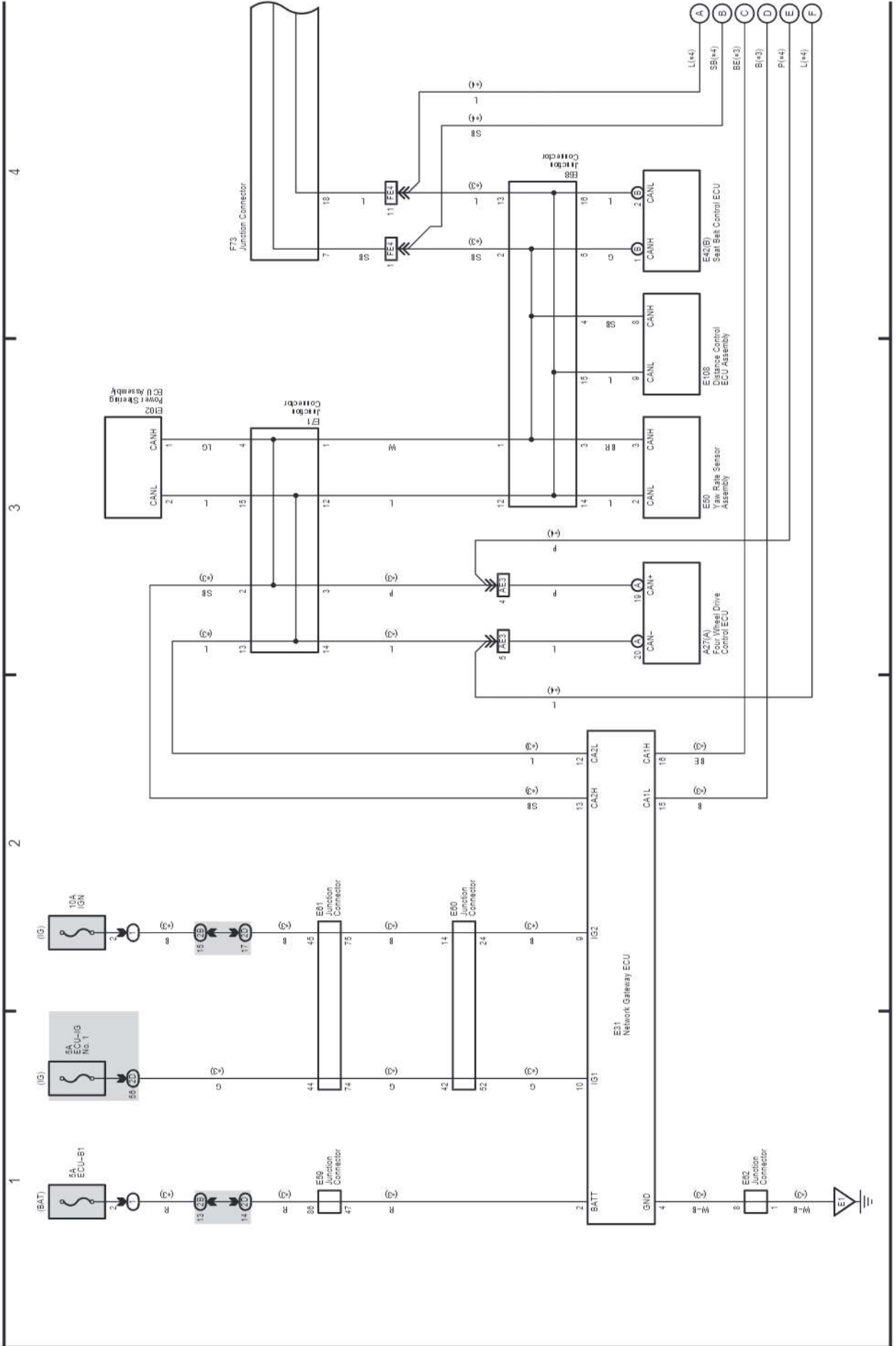
# M OVERALL ELECTRICAL WIRING DIAGRAM

(Cont. next page)

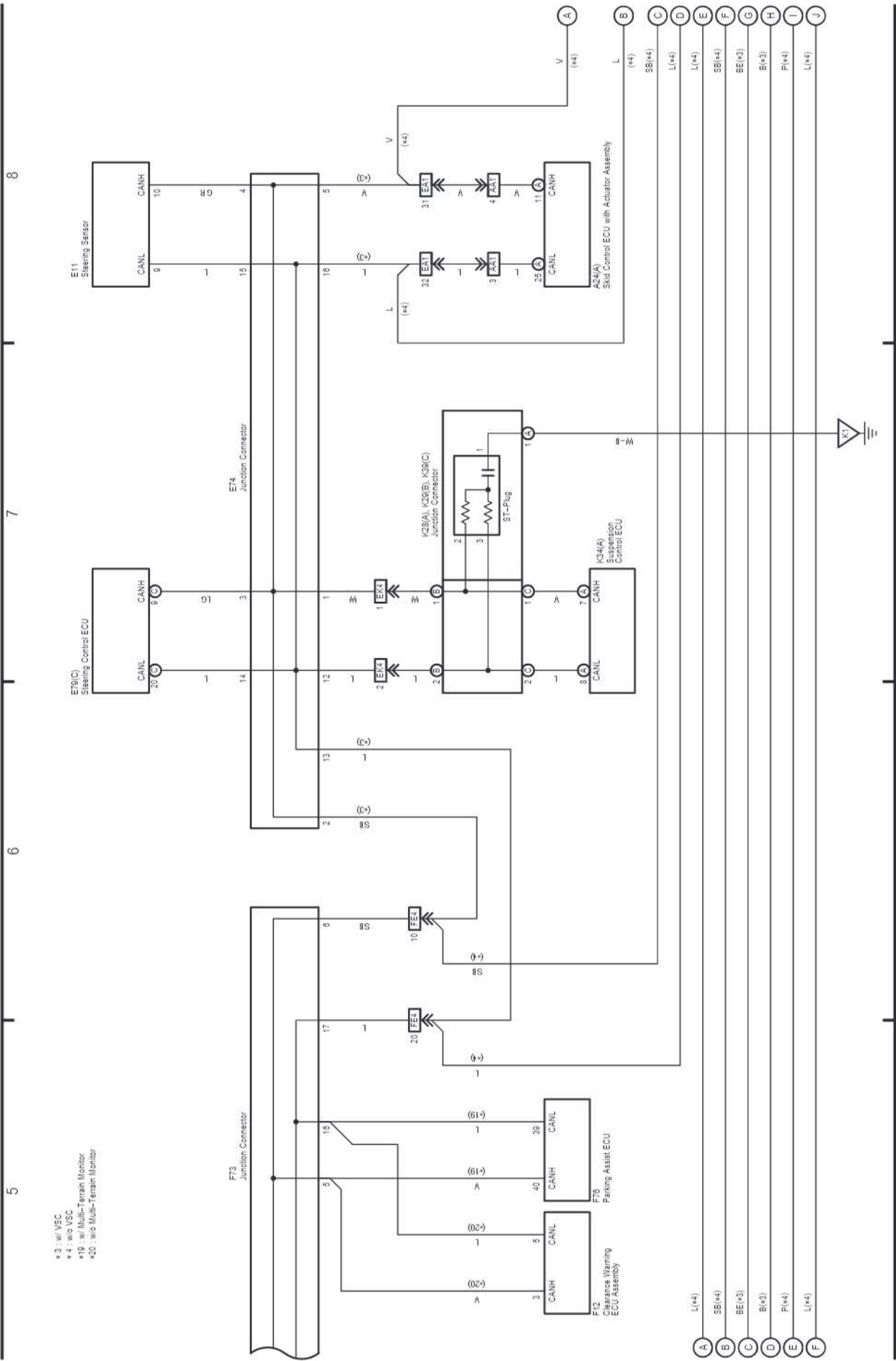
75 LAND CRUISER Station Wagon

Multiplex Communication System (CAN LHD) (From Jan. 2013 Production Except China)

\* 3: w/VSC  
\* 4: w/o VSC



Multiplex Communication System (CAN LHD) (From Jan. 2013 Production Except China)



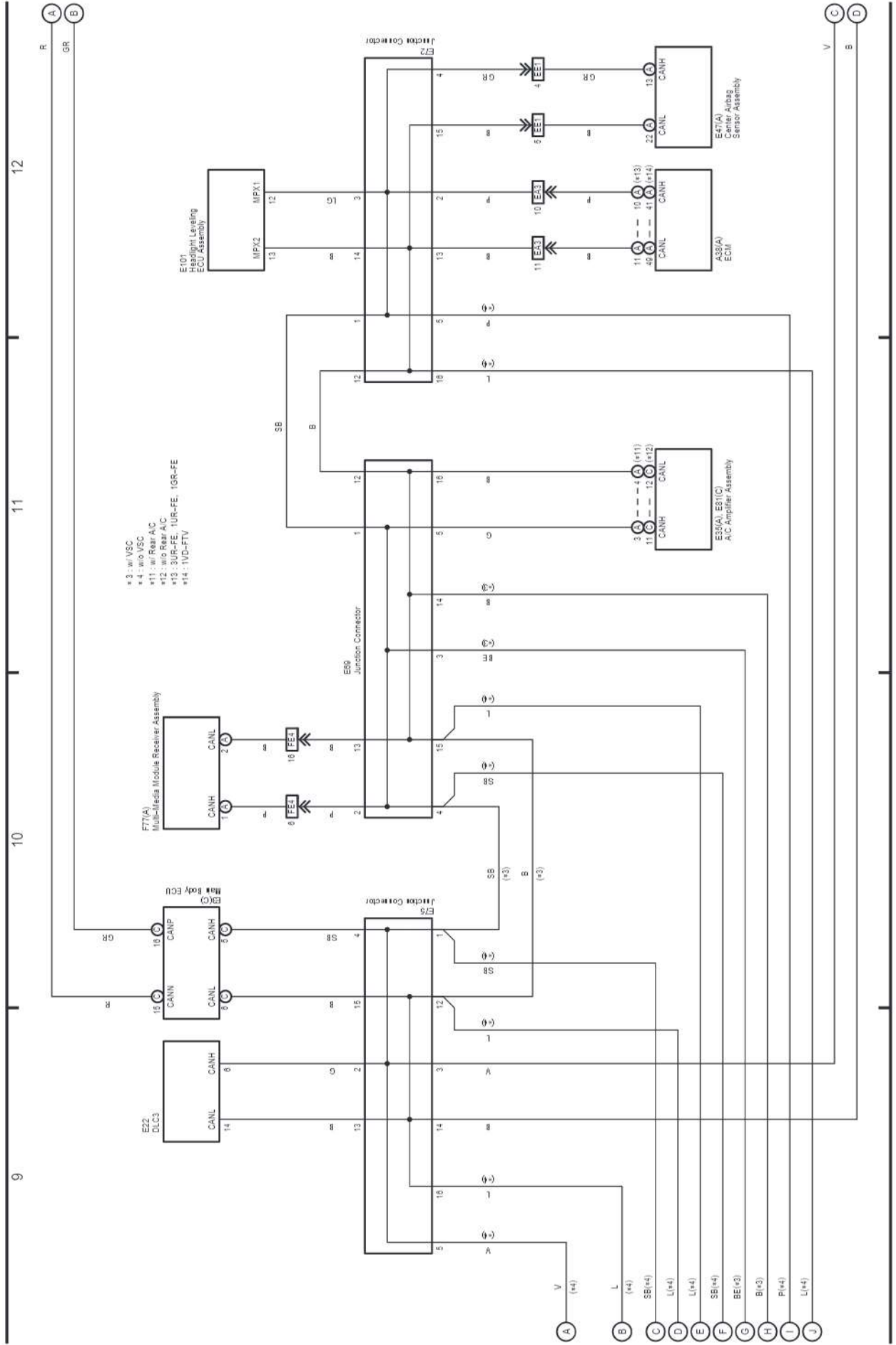
\*3 - w/ VSC  
 \*4 - w/o VSC  
 \*19 - w/ Multi-Terrain Monitor  
 \*20 - w/o Multi-Terrain Monitor

# M OVERALL ELECTRICAL WIRING DIAGRAM

(Cont. next page)

75 LAND CRUISER Station Wagon (Cont' d)

Multiplex Communication System (CAN LHD) (From Jan. 2013 Production Except China)



75 LAND CRUISER Station Wagon (Cont' d)

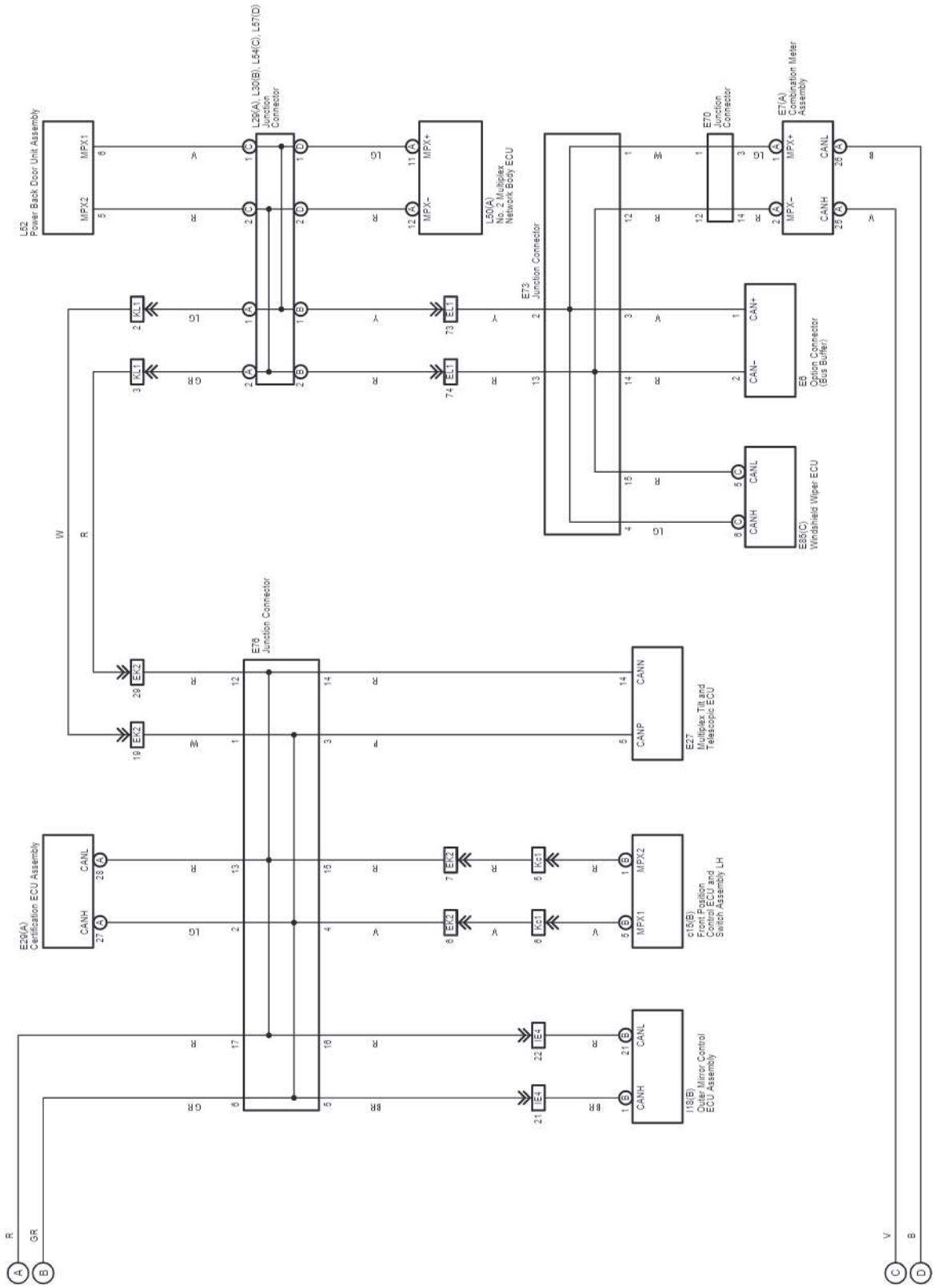
Multiplex Communication System (CAN LHD) (From Jan. 2013 Production Except China)

16

15

14

13

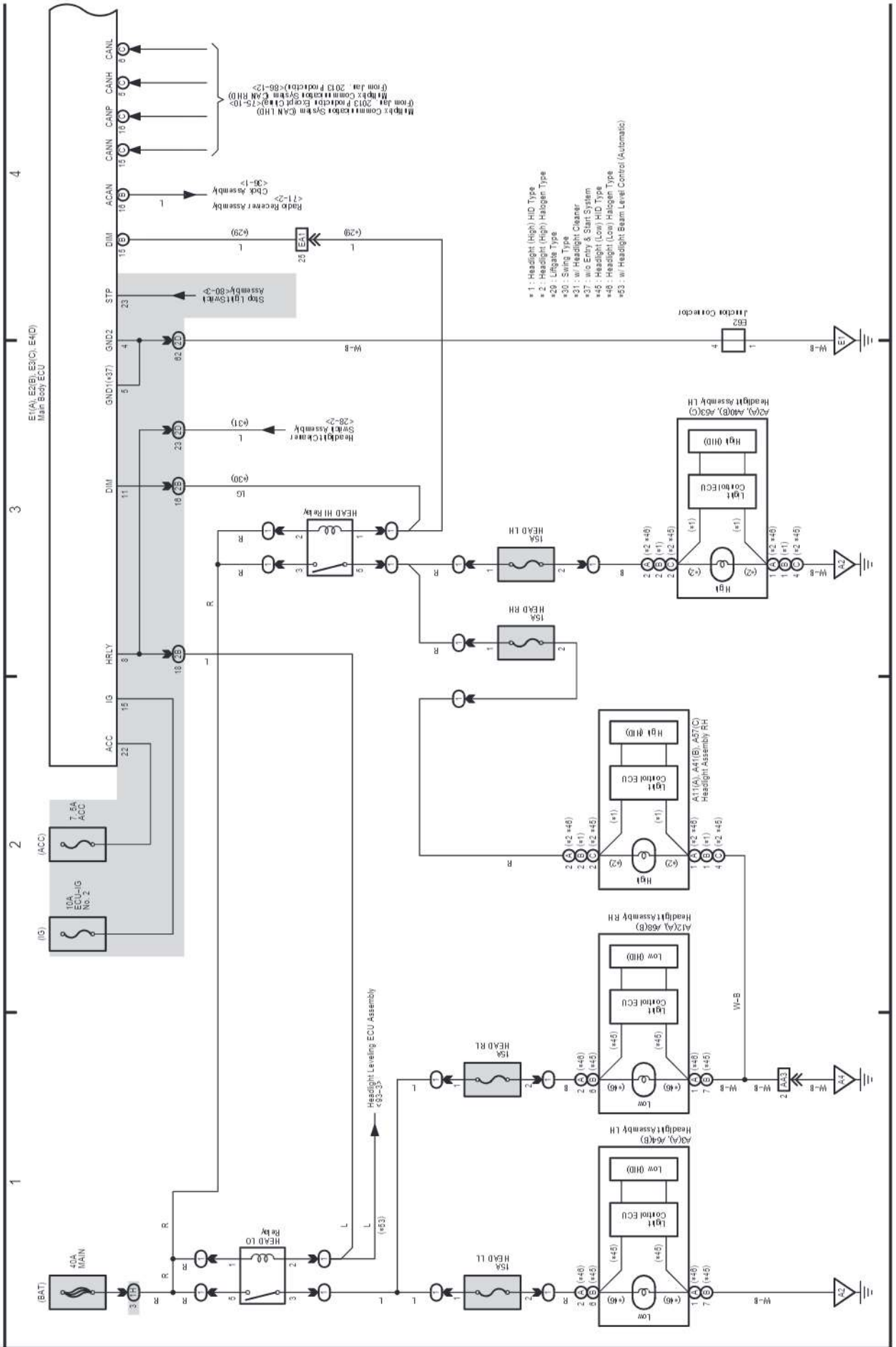


# M OVERALL ELECTRICAL WIRING DIAGRAM

(Cont. next page)

76 LAND CRUISER Station Wagon

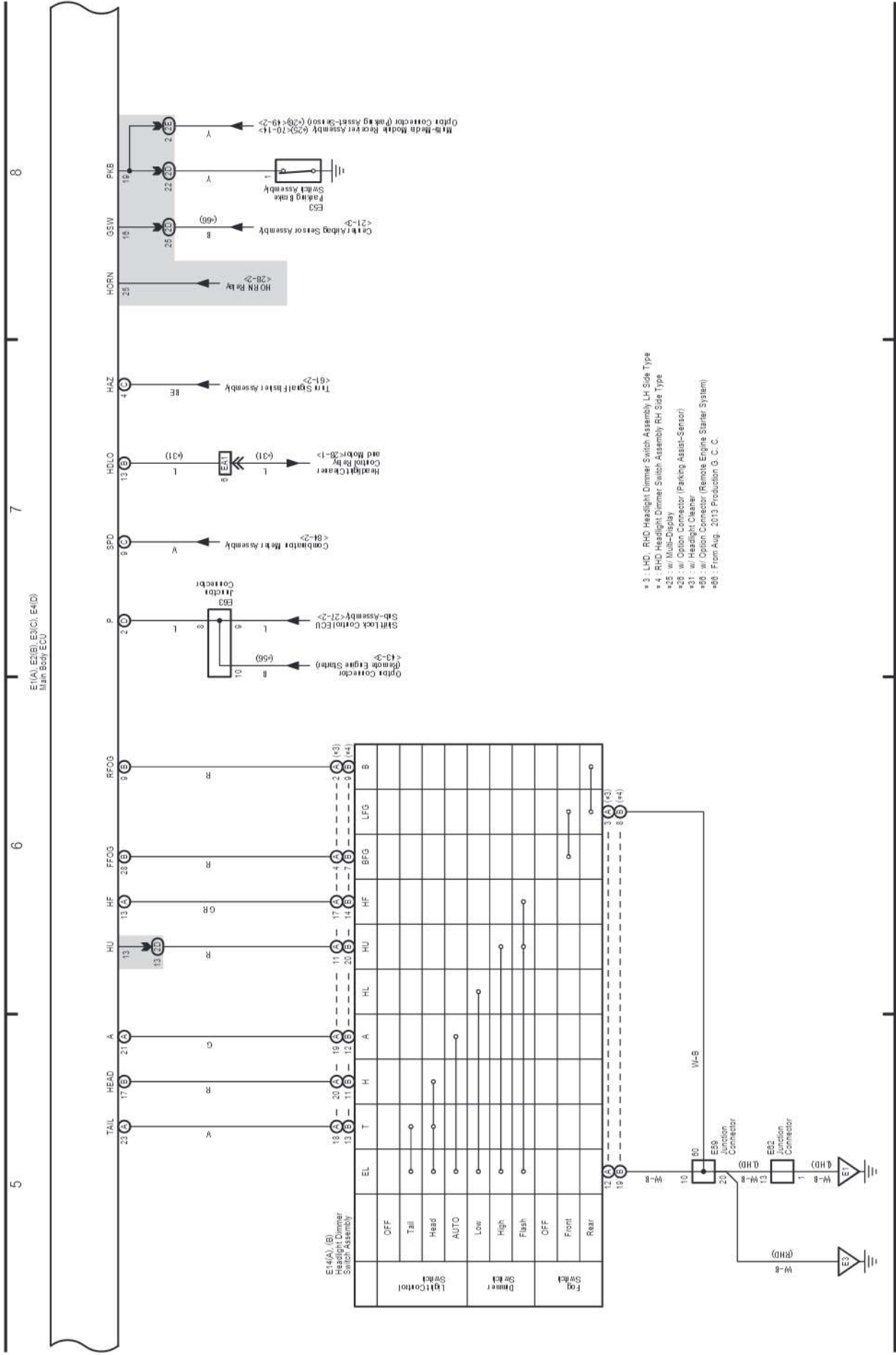
Headlight (From Jan. 2013 Production Except China)



LAND CRUISER Station Wagon (EM22W1E)



Headlight (From Jan. 2013 Production Except China)



# M OVERALL ELECTRICAL WIRING DIAGRAM

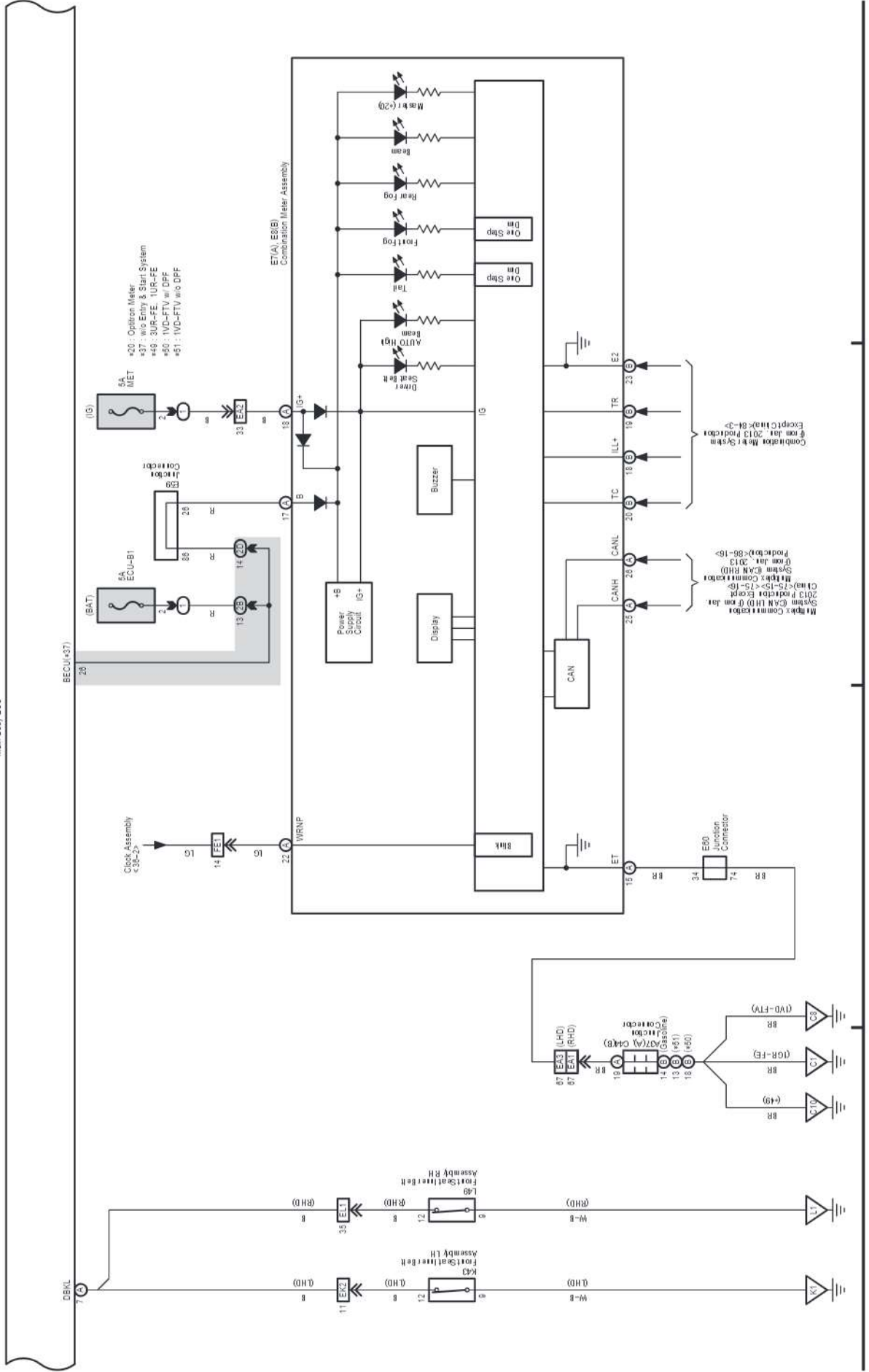
76 LAND CRUISER Station Wagon (Cont' d)

(Cont. next page)

Light Reminder (From Jan. 2013 Production Except China)

Seat Belt Warning (w/o SRS) (From Jan. 2013 Production)

9 10 11 12

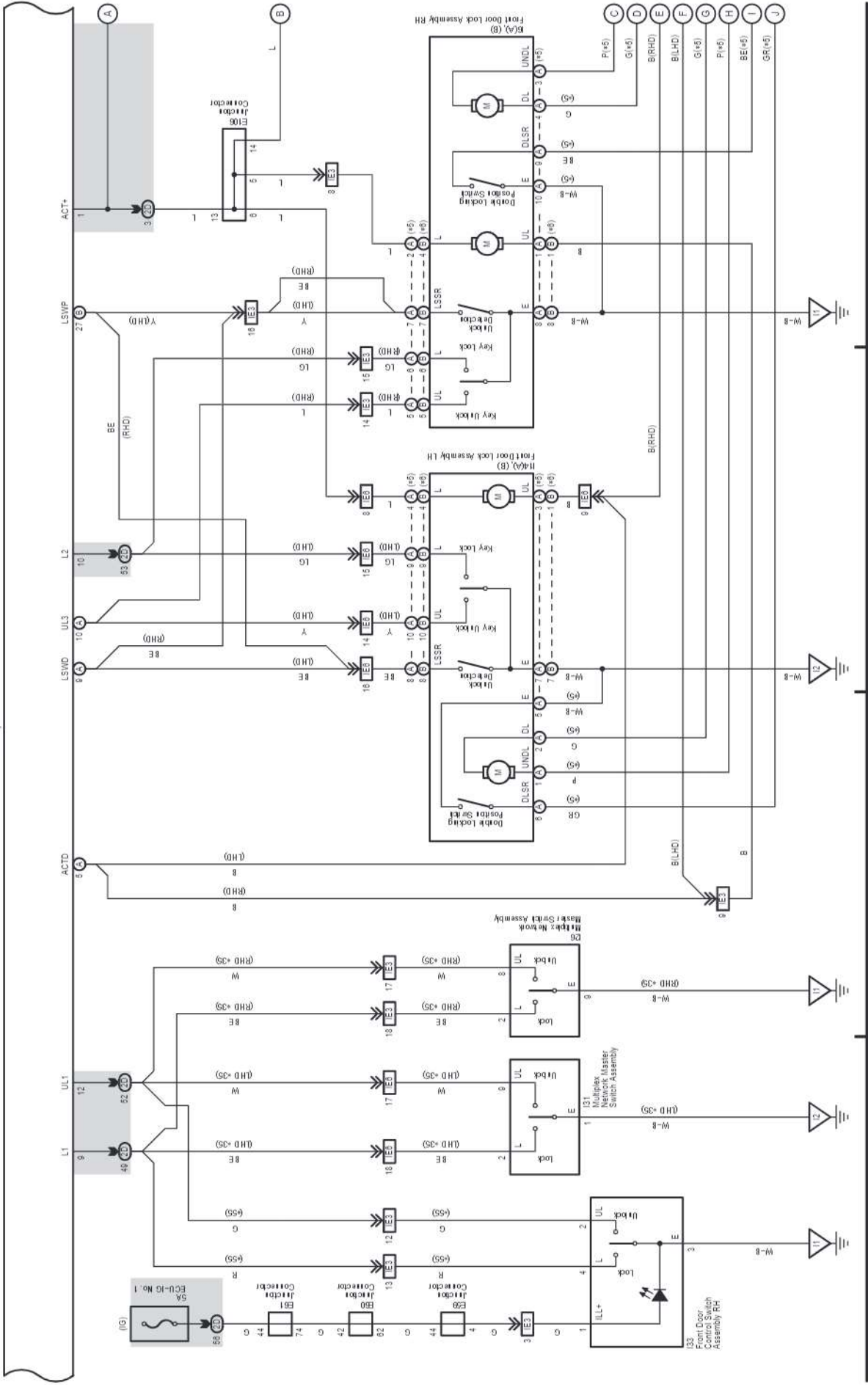


LAND CRUISER Station Wagon (EM22W1E)

- \* 5 - w/ Double Locking
- \* 6 - w/o Double Locking
- \* 25 - Driver's Door Only Jam Protection
- \* 25 - w/ Front Passenger's Side Door Control Switch

Door Lock Control (From Jan. 2013 Production Except China)

E(VA), E(B), E(S), E(M)  
Main Body ECU



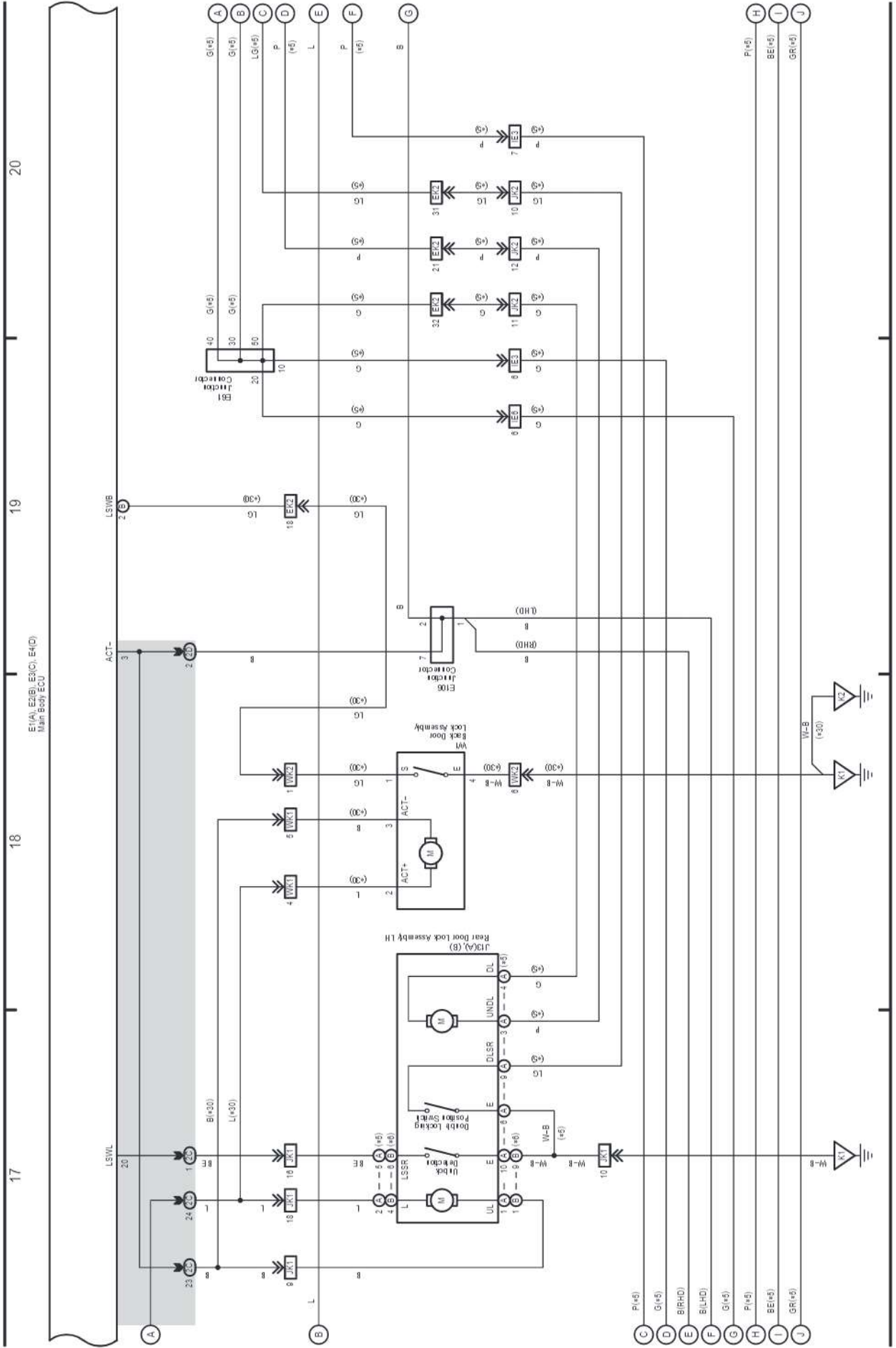
# M OVERALL ELECTRICAL WIRING DIAGRAM

76 LAND CRUISER Station Wagon (Cont' d)

(Cont. next page)

\* 5 : w/ Double Locking  
\* 6 : w/o Double Locking  
\* 30 : Swing Type

Door Lock Control (From Jan. 2013 Production Except China)



LAND CRUISER Station Wagon (EM22W1E)

76 LAND CRUISER Station Wagon (Cont' d)

(Cont. next page)

Door Lock Control (From Jan. 2013 Production Except China)

Double Locking (From Jan. 2013 Production)

Automatic Light Control and Light Auto Turn Off System (From Jan. 2013 Production Except China)

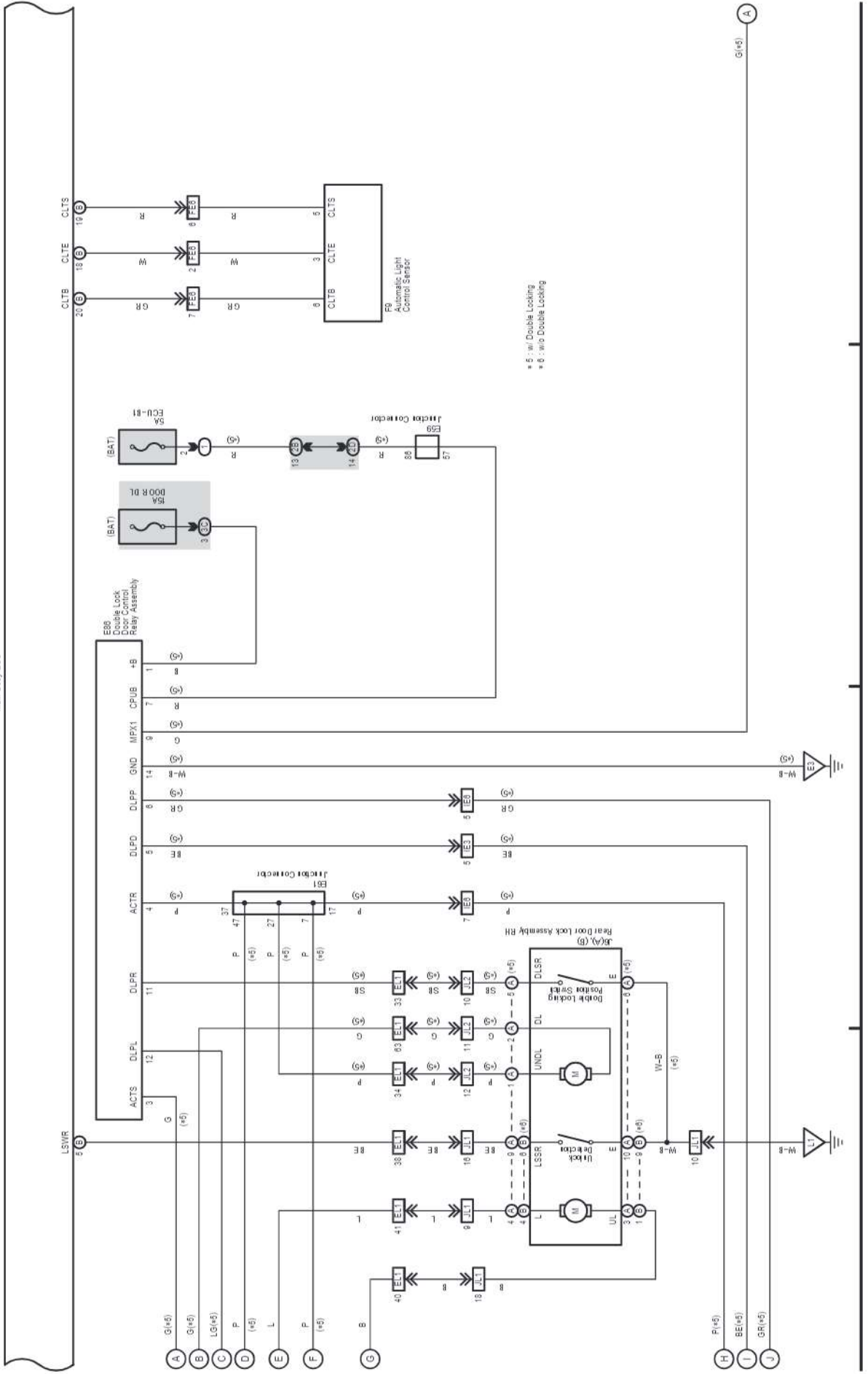
21

22

23

24

E16A(E2)(E3)(C), E4(D)  
Main Body ECU

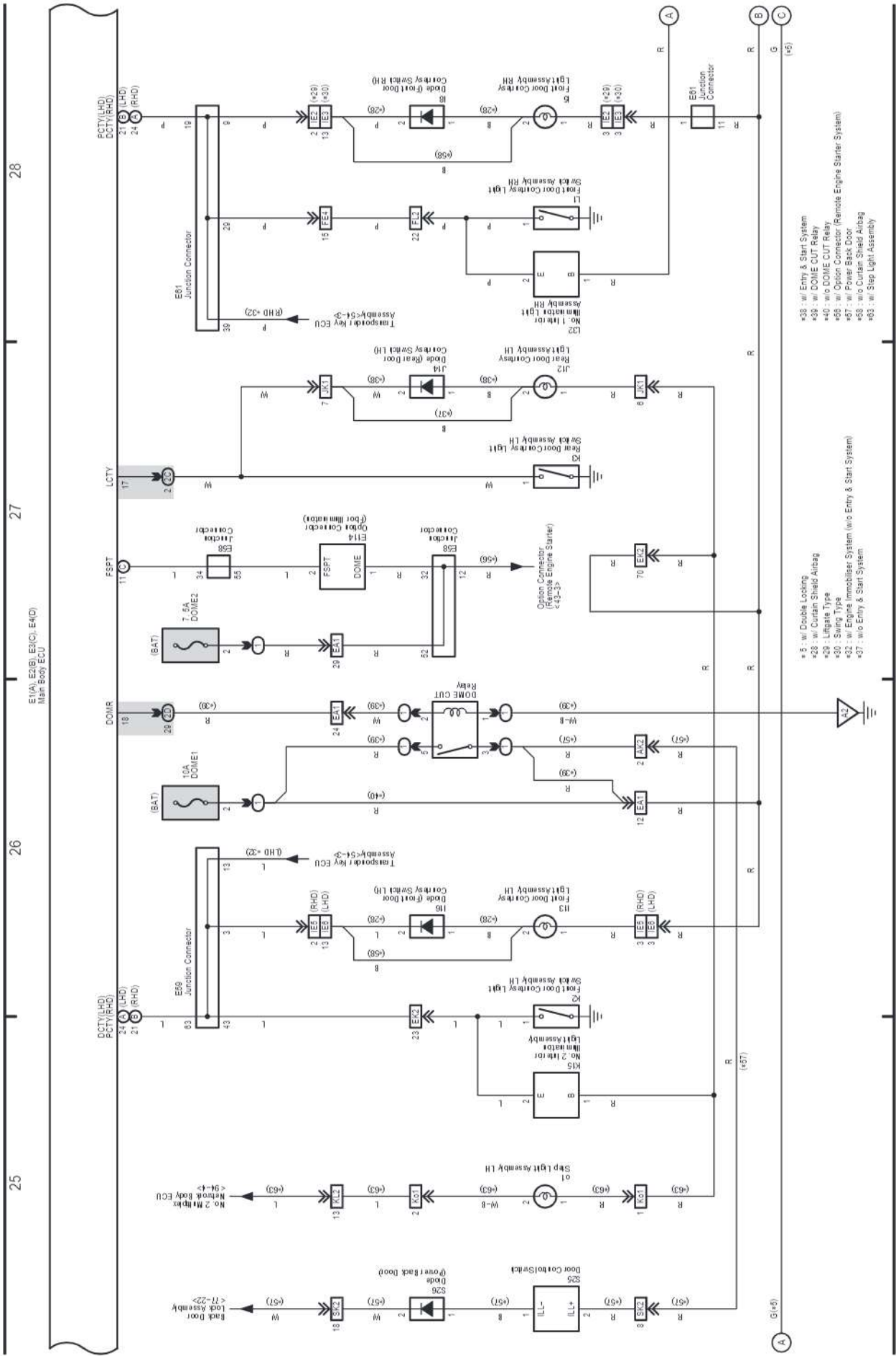


# M OVERALL ELECTRICAL WIRING DIAGRAM

76 LAND CRUISER Station Wagon (Cont' d)

(Cont. next page)

Interior Light (From Jan. 2013 Production Except China)



LAND CRUISER Station Wagon (EM22W1E)



Interior Light (From Jan. 2013 Production Except China)

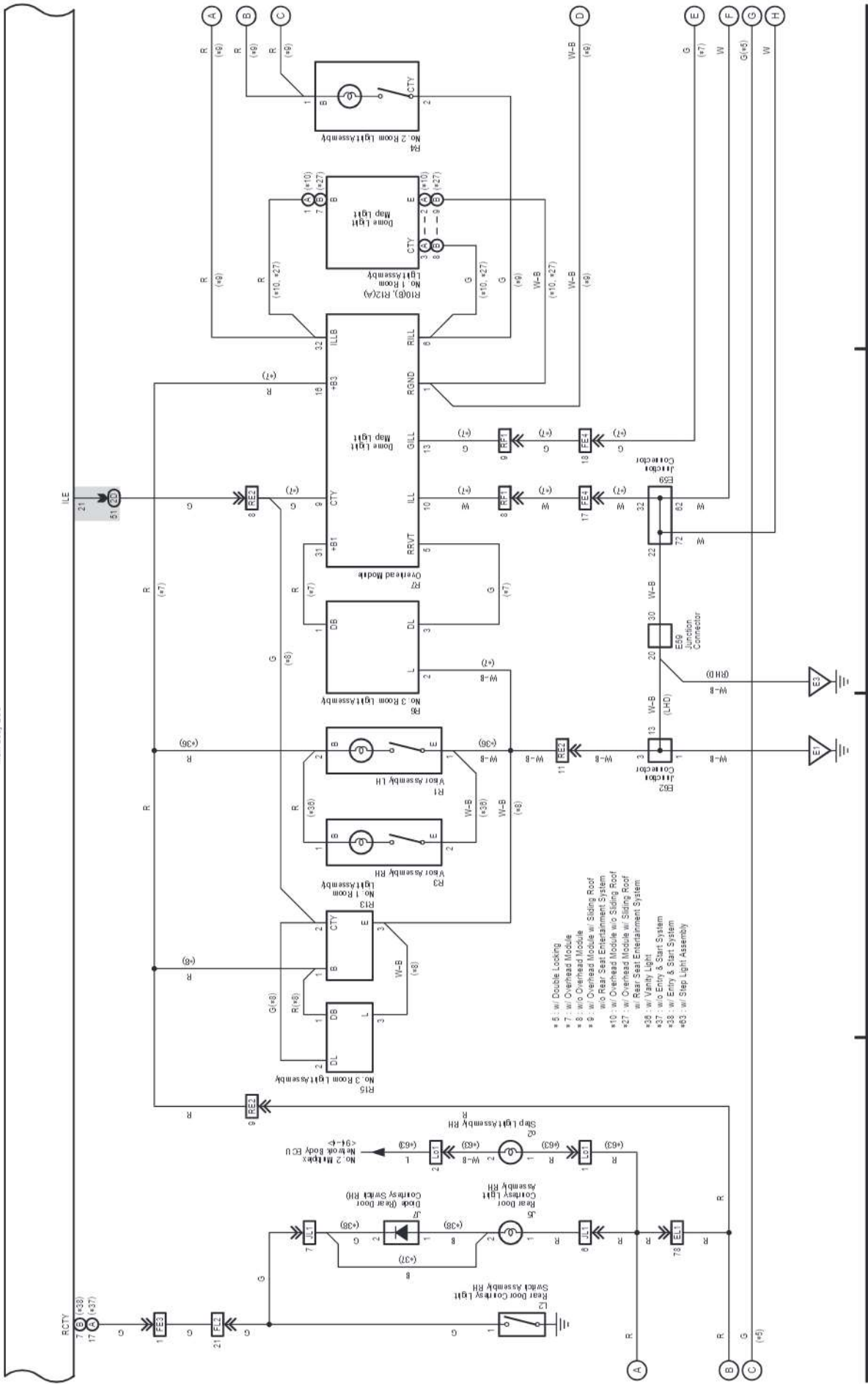
29

30

31

32

E1(A), E2(B), E3(C), E4(D)  
Main Body ECU



LAND CRUISER Station Wagon (EM22W1E)

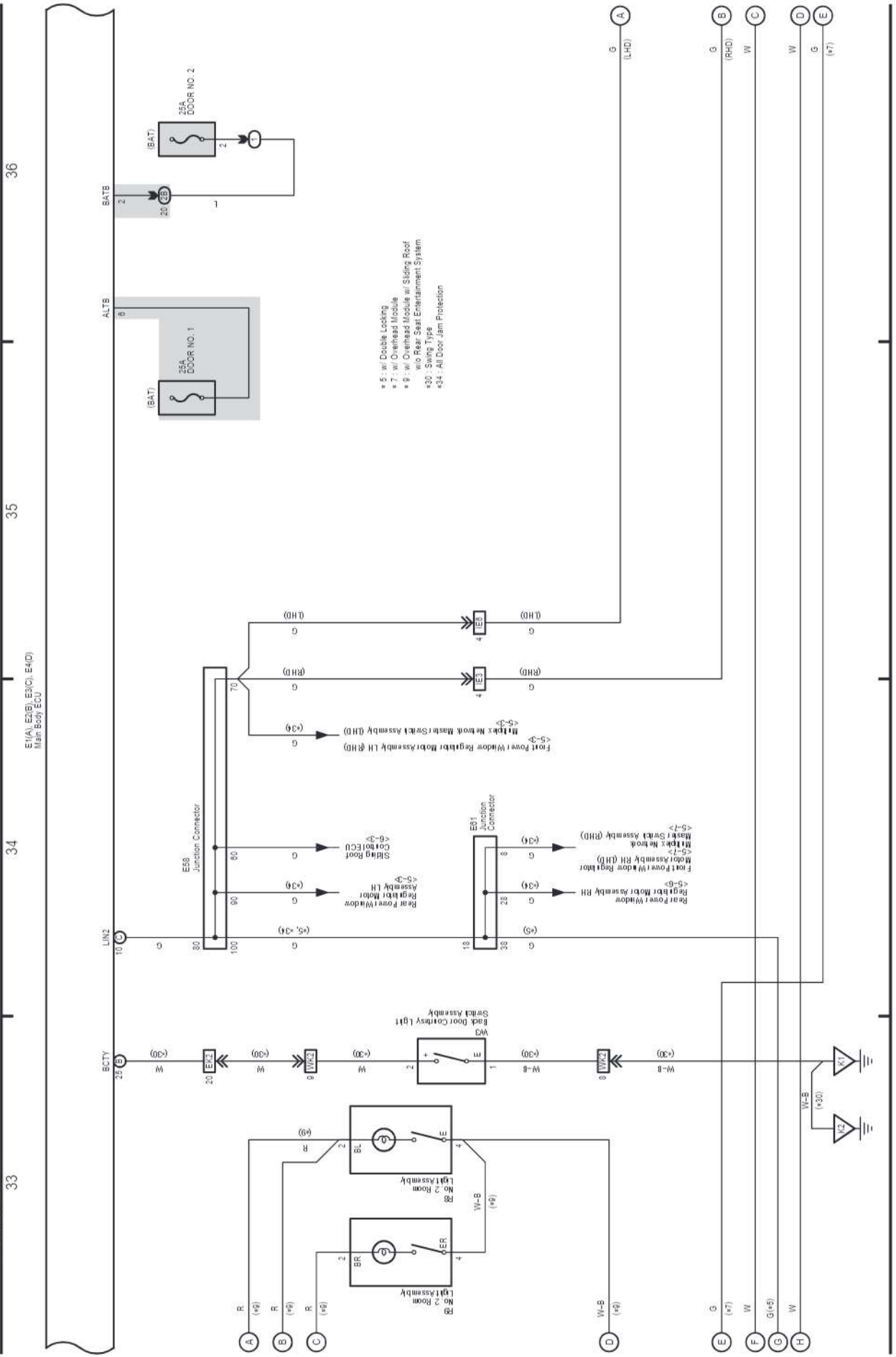
# M OVERALL ELECTRICAL WIRING DIAGRAM

(Cont. next page)

76 LAND CRUISER Station Wagon (Cont' d)

Interior Light (From Jan. 2013 Production Except China)

Power Window (Driver's Door Only Jam Protection)  
(From Jan. 2013 Production)



LAND CRUISER Station Wagon (EM22W1E)



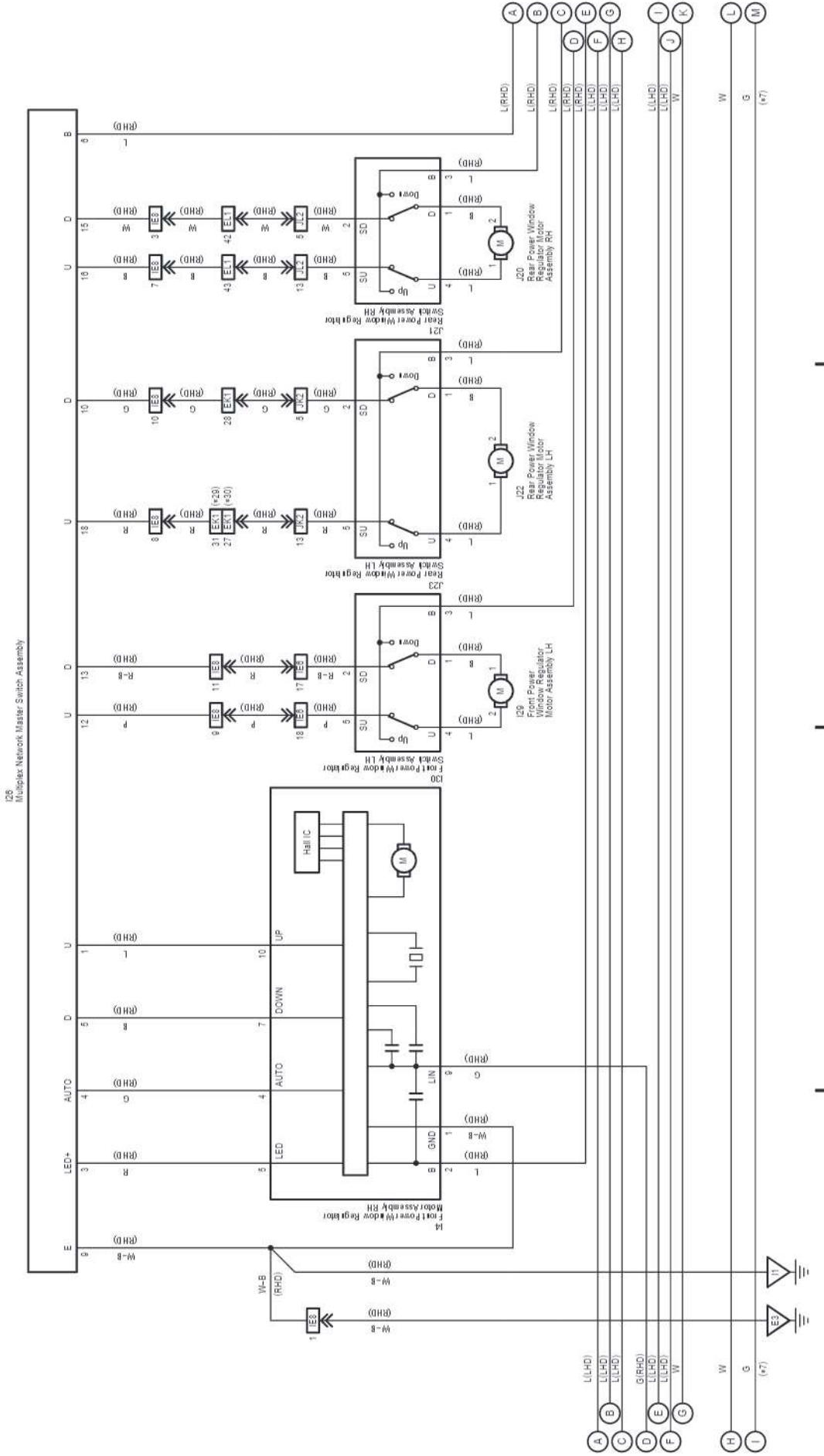
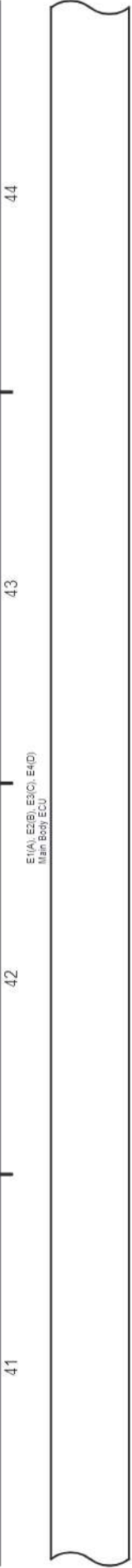
# M OVERALL ELECTRICAL WIRING DIAGRAM

76 LAND CRUISER Station Wagon (Cont' d)

(Cont. next page)

Power Window (Driver's Door Only Jam Protection)  
(From Jan. 2013 Production)

\*7 : w/ O/enead Module  
\*29 : L/igate Type  
\*30 : Swing Type



LAND CRUISER Station Wagon (EM22W1E)

Power Window (Driver's Door Only Jam Protection)  
(From Jan. 2013 Production)

Key Reminder (w/o Entry & Start System)  
(From Jan. 2013 Production)

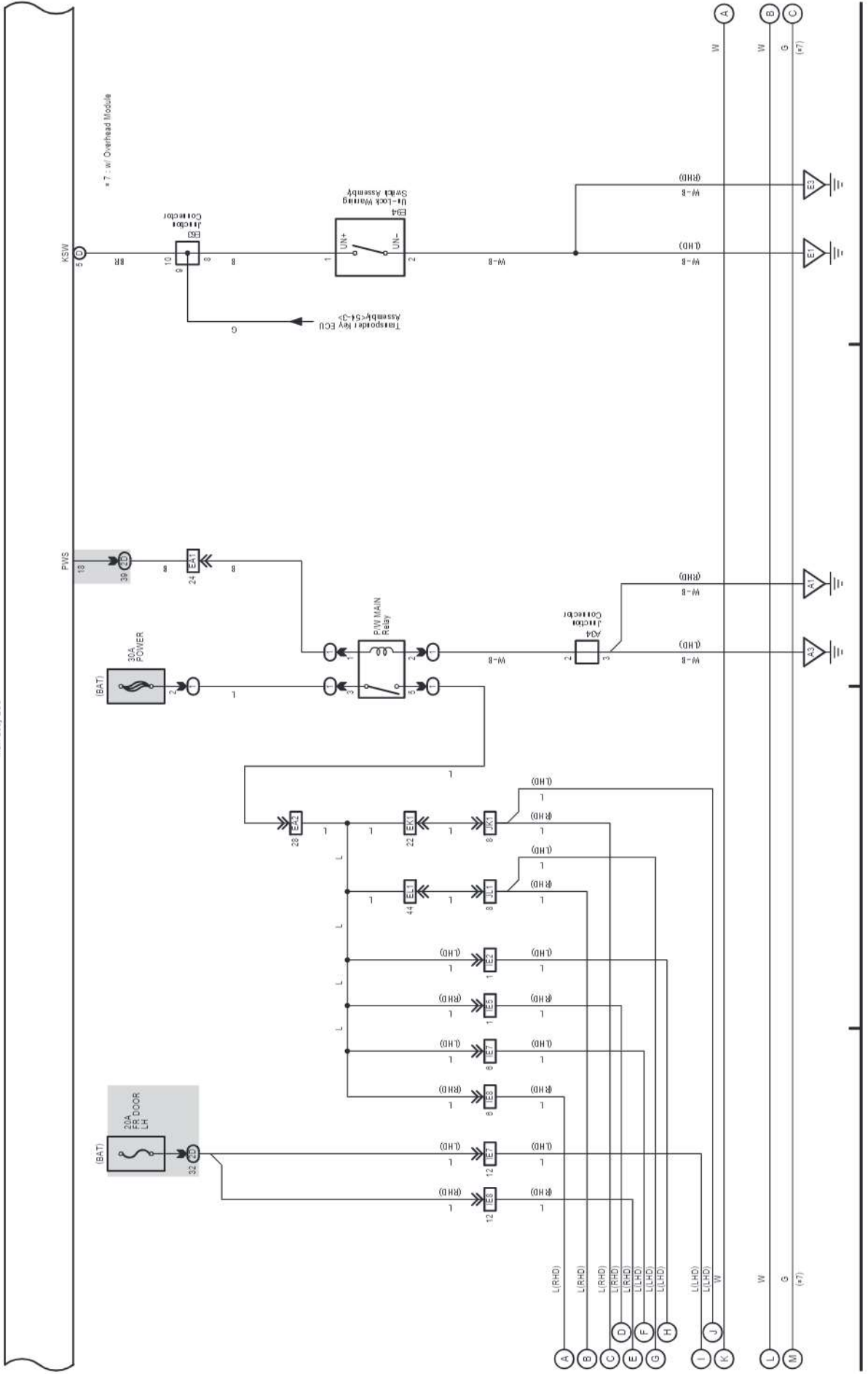
45

46

47

48

EVAL, E3(B), E3(C), E4(D)  
Main Body ECU



# M OVERALL ELECTRICAL WIRING DIAGRAM

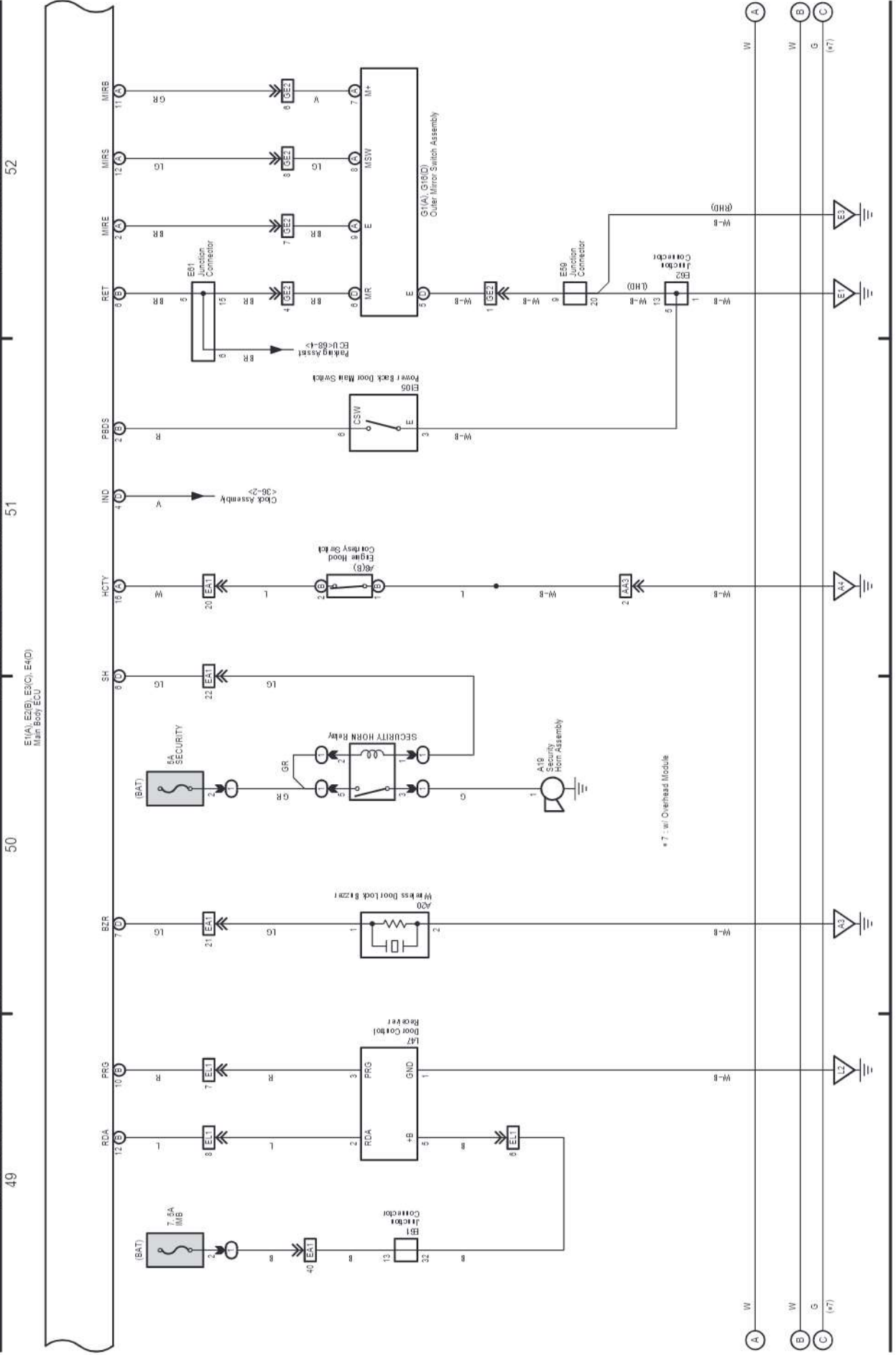
76 LAND CRUISER Station Wagon (Cont' d)

(Cont. next page)

Wireless Door Lock Control  
(w/o Entry & Start System)  
(From Jan. 2013 Production)

Theft Deterrent  
(w/o Entry & Start System)  
(From Jan. 2013 Production)

Remote Control Mirror (w/  
Retractor) (From Jan. 2013  
Production Except China)



LAND CRUISER Station Wagon (EM22W1E)



Remote Control Mirror (w/ Retractor) (From Jan. 2013 Production Except China)

\*7: w/ Overhead Module  
 \*21: LHD w/ Seat Position Memory

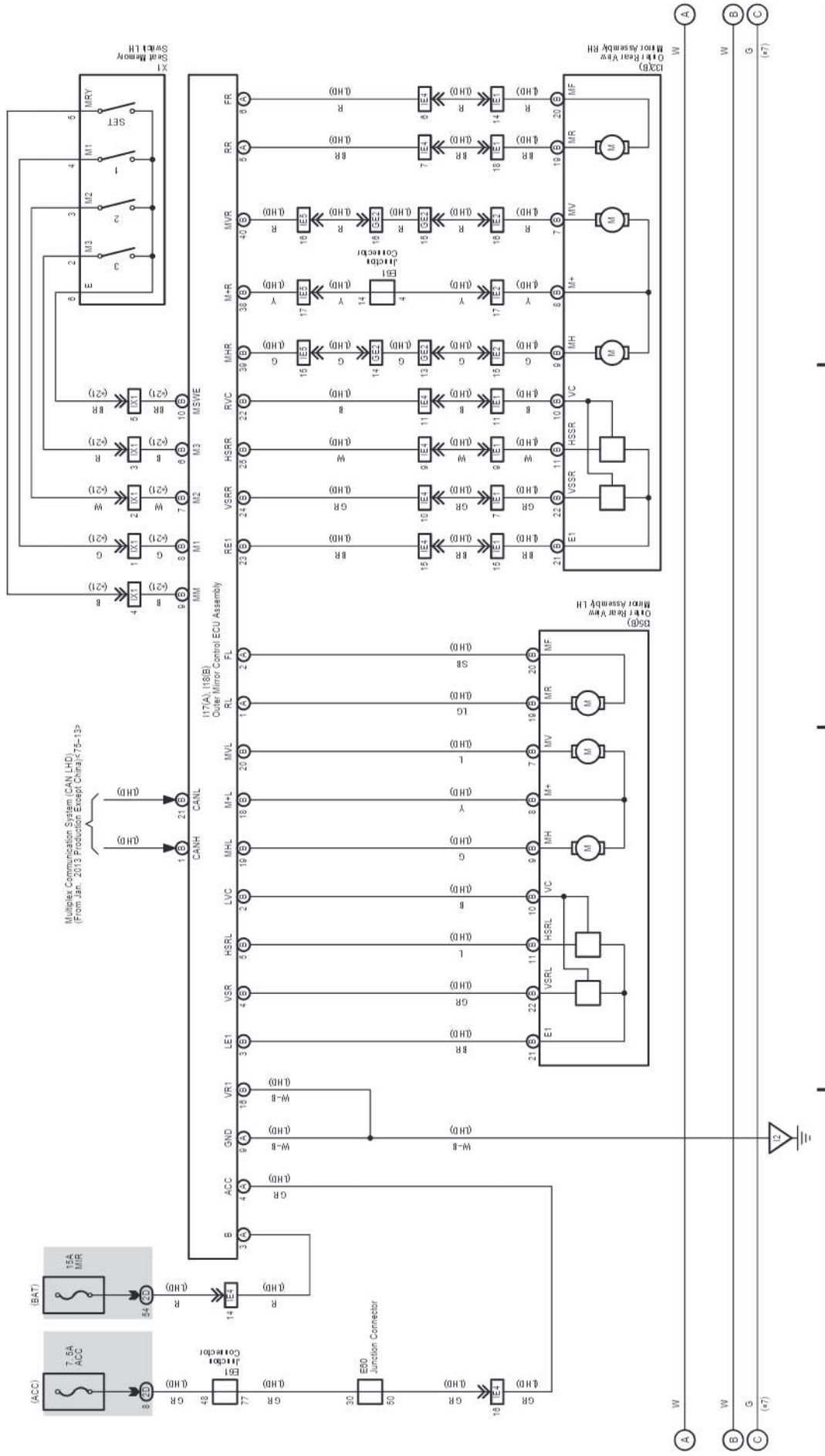
53

54

55

56

E1(A), E2(B), E3(C), E4(D)  
 Main Body ECU



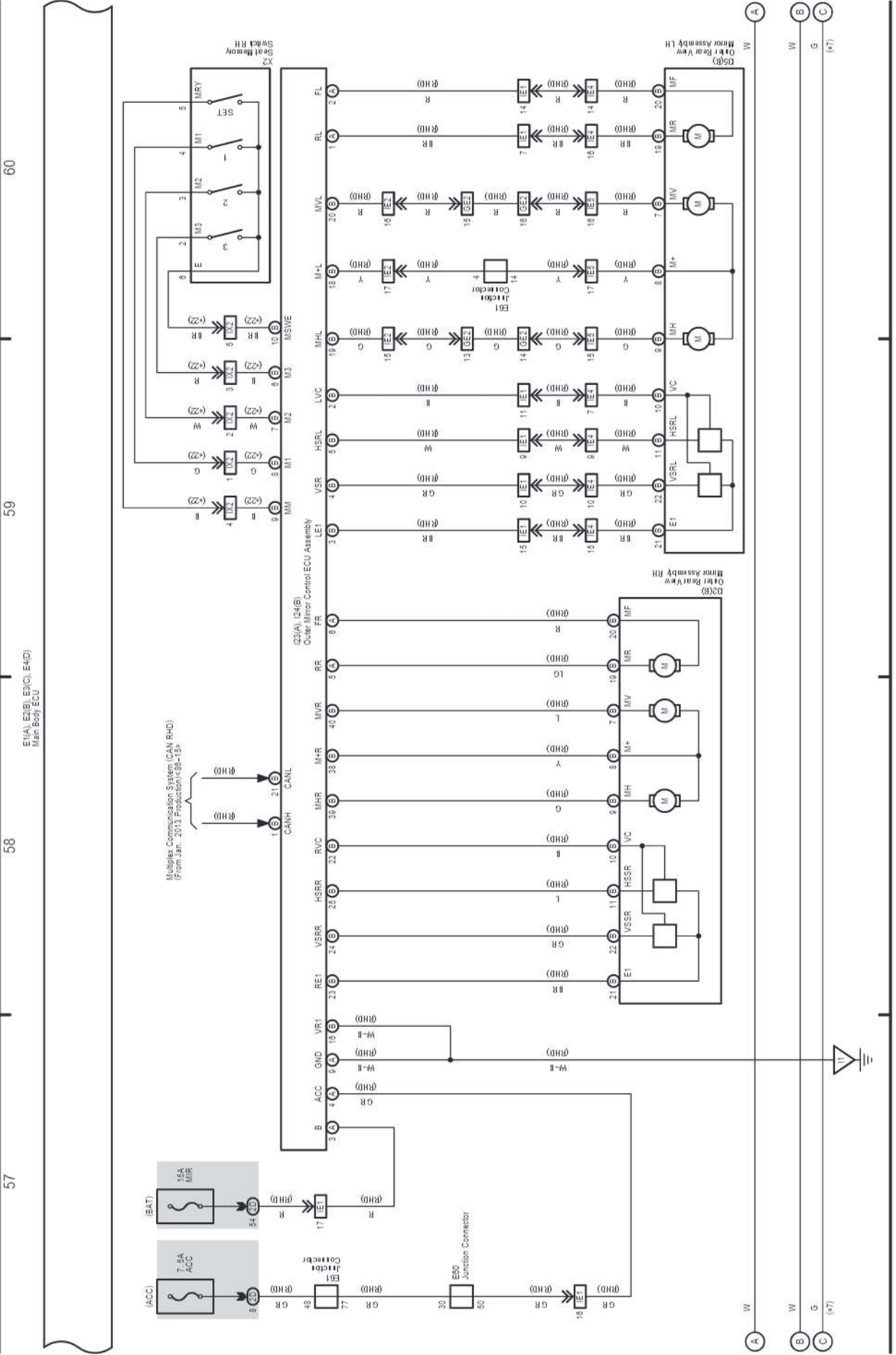
# M OVERALL ELECTRICAL WIRING DIAGRAM

76 LAND CRUISER Station Wagon (Cont' d)

(Cont. next page)

Remote Control Mirror (w/ Retractor) (From Jan. 2013 Production Except China)

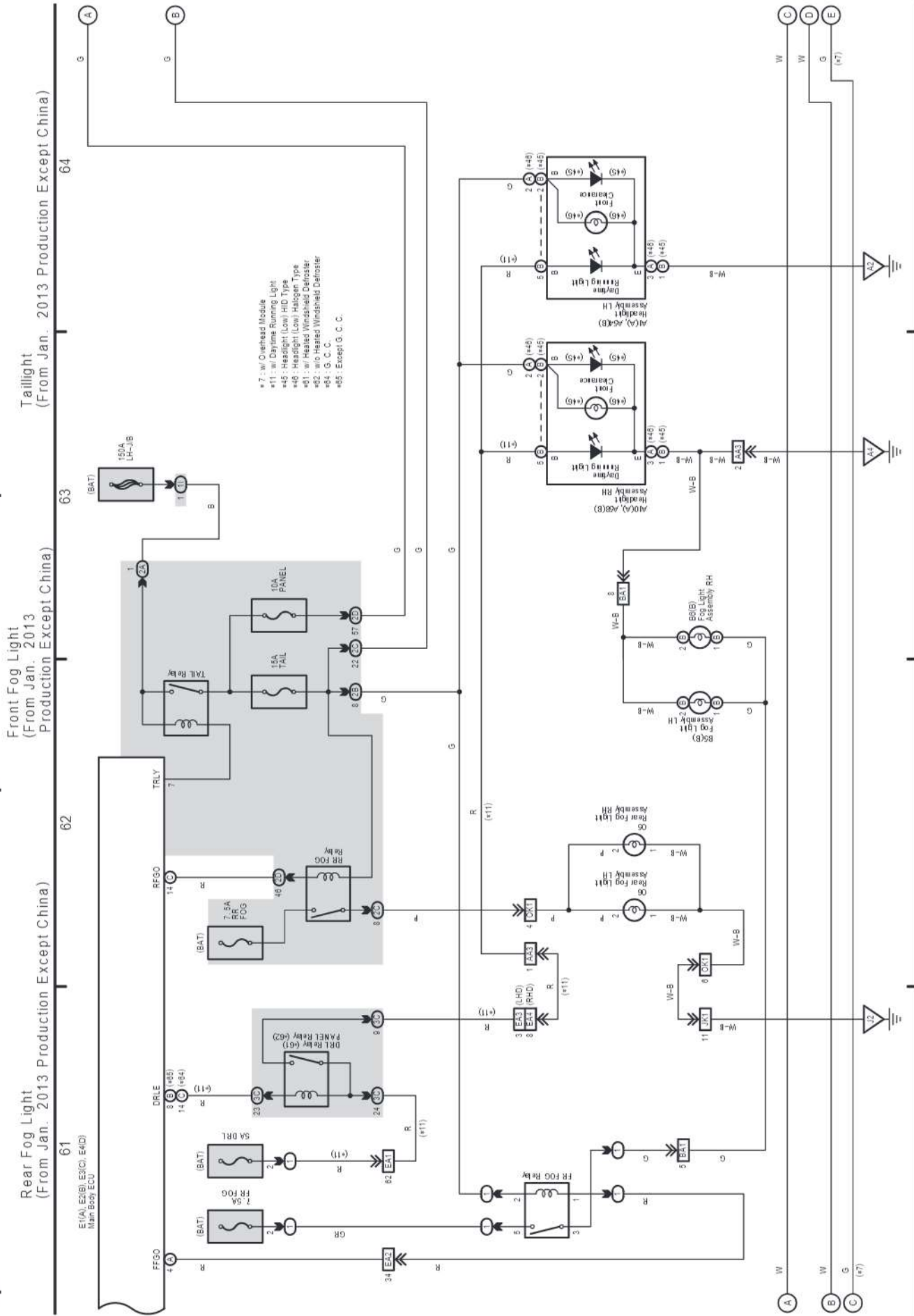
\*7: w/ Overhead Module  
\*22: RHD w/ Seat-Position Memory



LAND CRUISER Station Wagon (EM22W1E)

76 LAND CRUISER Station Wagon (Cont' d)

(Cont. next page)

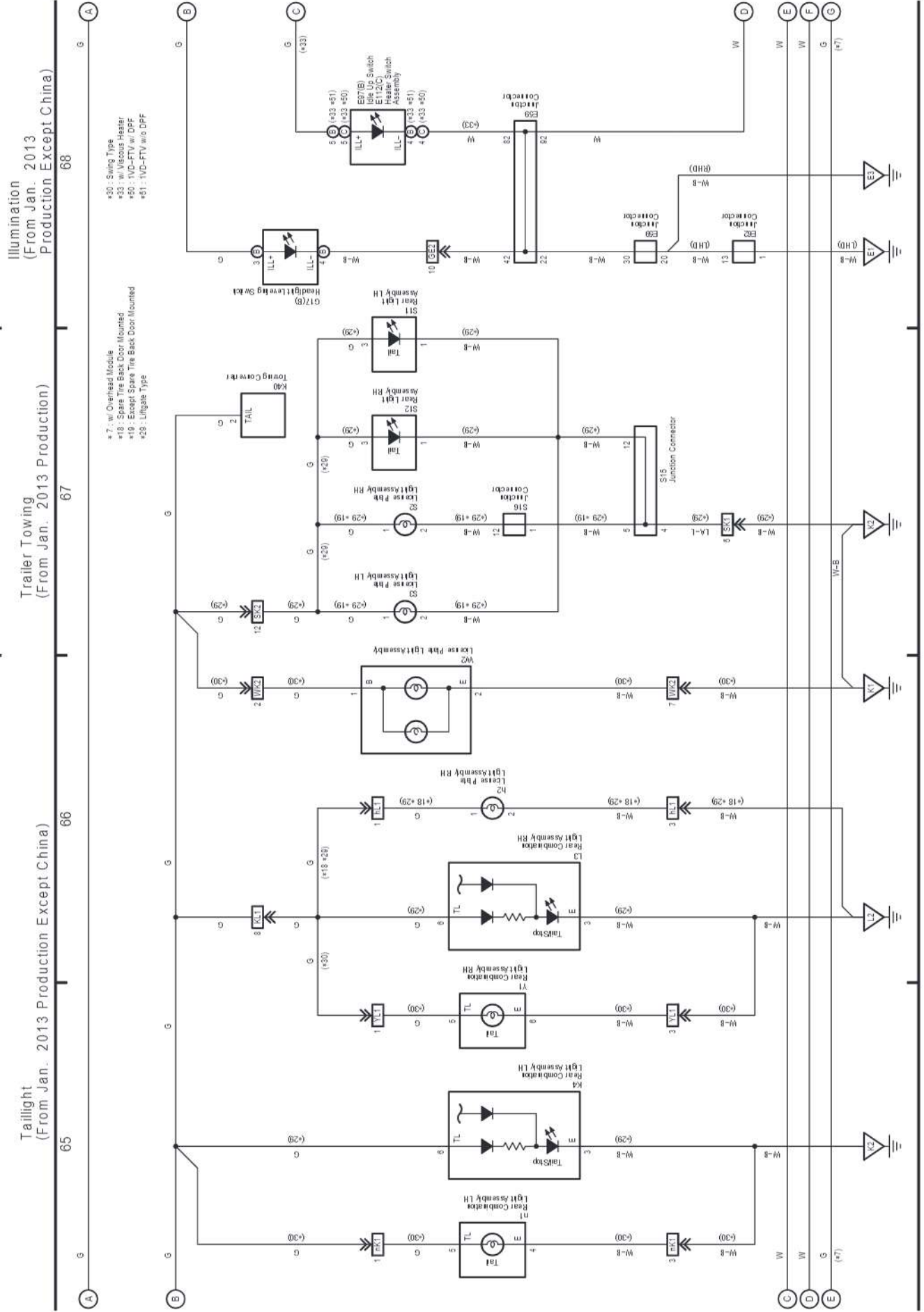


LAND CRUISER Station Wagon (EM22W1E)

# M OVERALL ELECTRICAL WIRING DIAGRAM

76 LAND CRUISER Station Wagon (Cont' d)

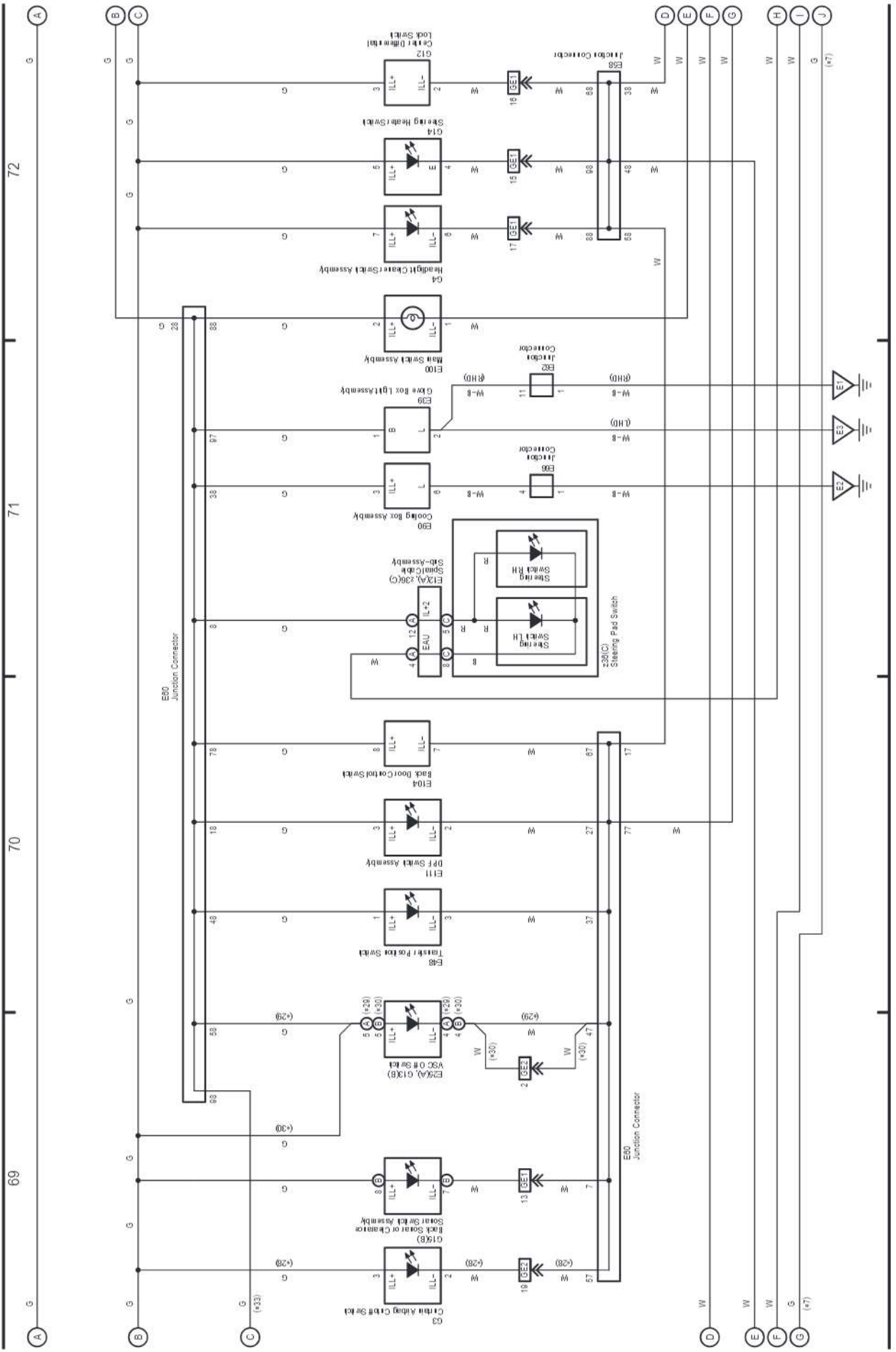
(Cont. next page)



LAND CRUISER Station Wagon (EM22W1E)

- \*7: w/ Overhead Module
- \*28: w/ Curtain Shield/Abag
- \*36: Lights Type
- \*39: S/W Type
- \*43: w/ Viscous Heater

Illumination (From Jan. 2013 Production Except China)



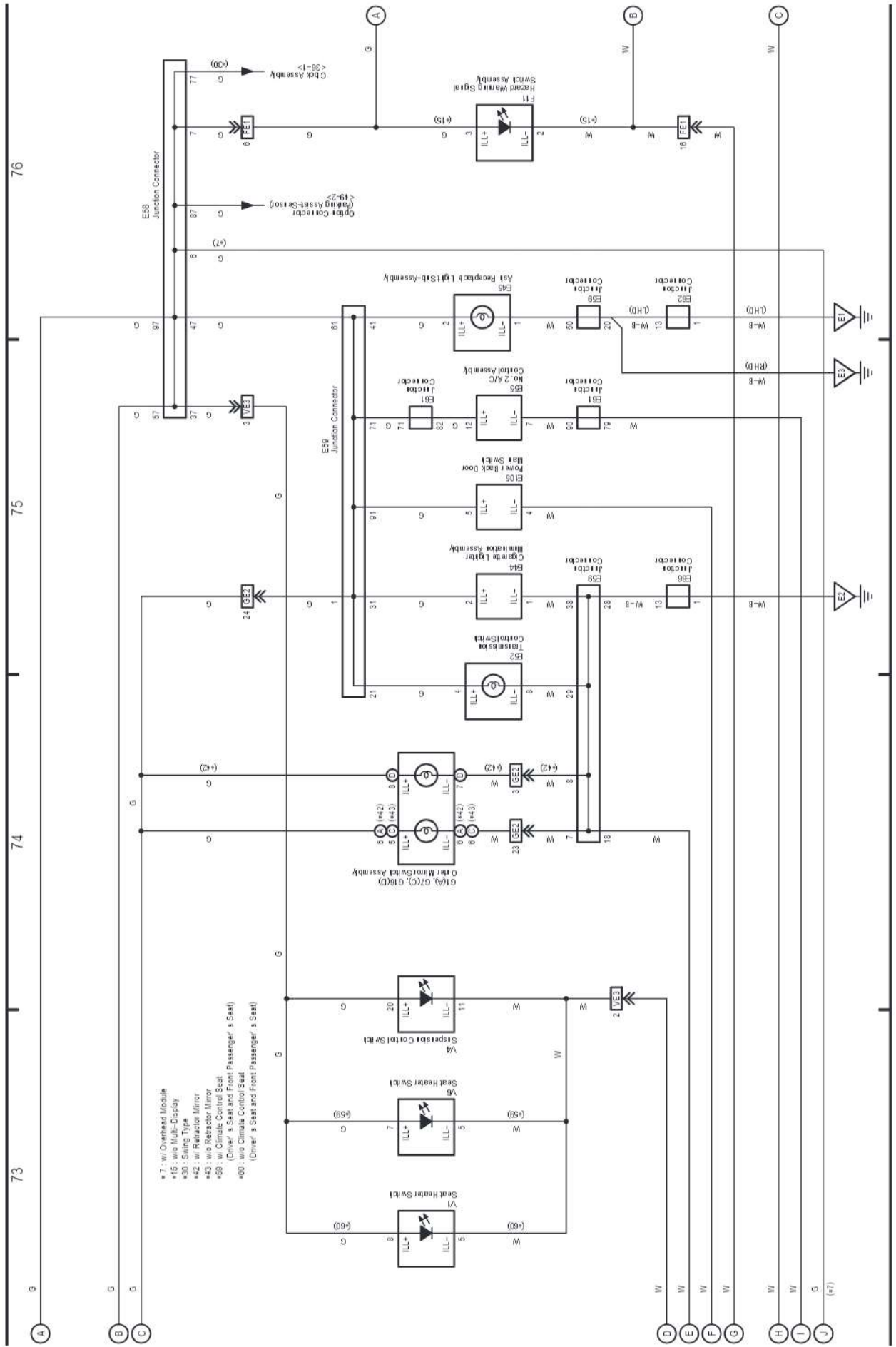


# M OVERALL ELECTRICAL WIRING DIAGRAM

76 LAND CRUISER Station Wagon (Cont' d)

(Cont. next page)

Illustration (From Jan. 2013 Production Except China)





76 LAND CRUISER Station Wagon (Cont' d)

\*16 - w/ Stereo Component Amplifier  
\*17 - w/o Stereo Component Amplifier  
\*25 - w/ Multi-Display

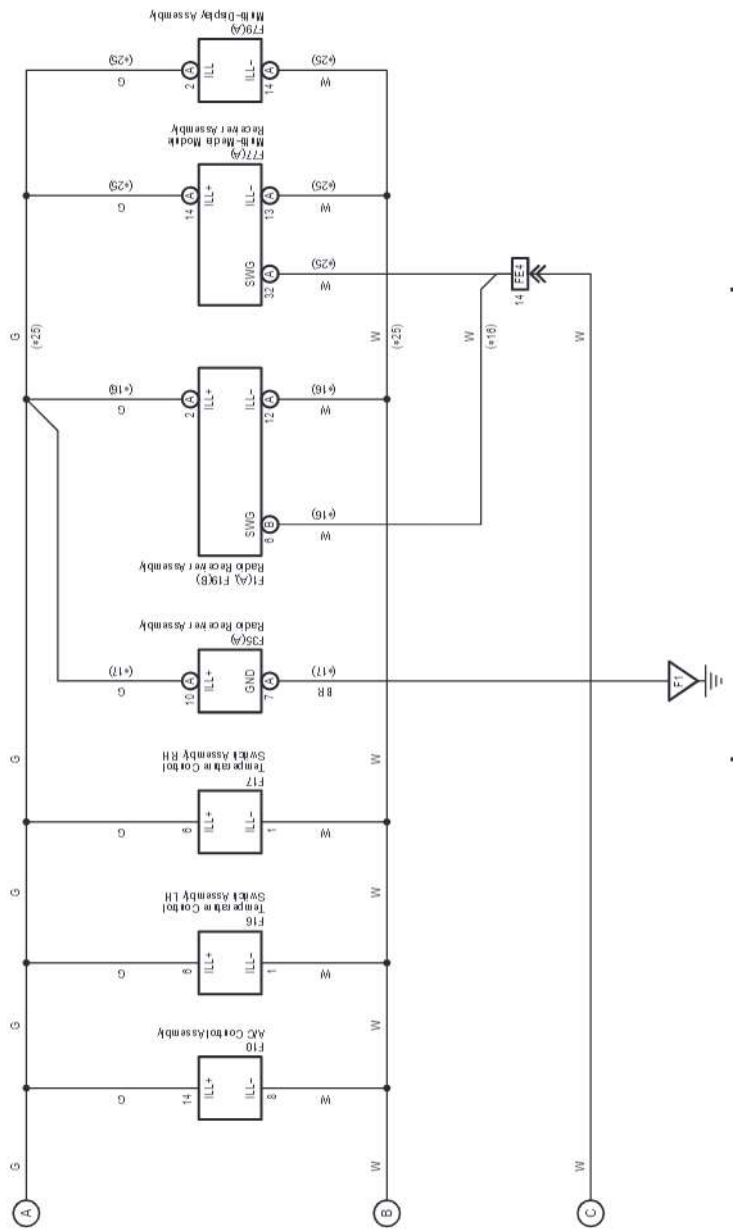
Illumination (From Jan. 2013 Production Except China)

80

79

78

77

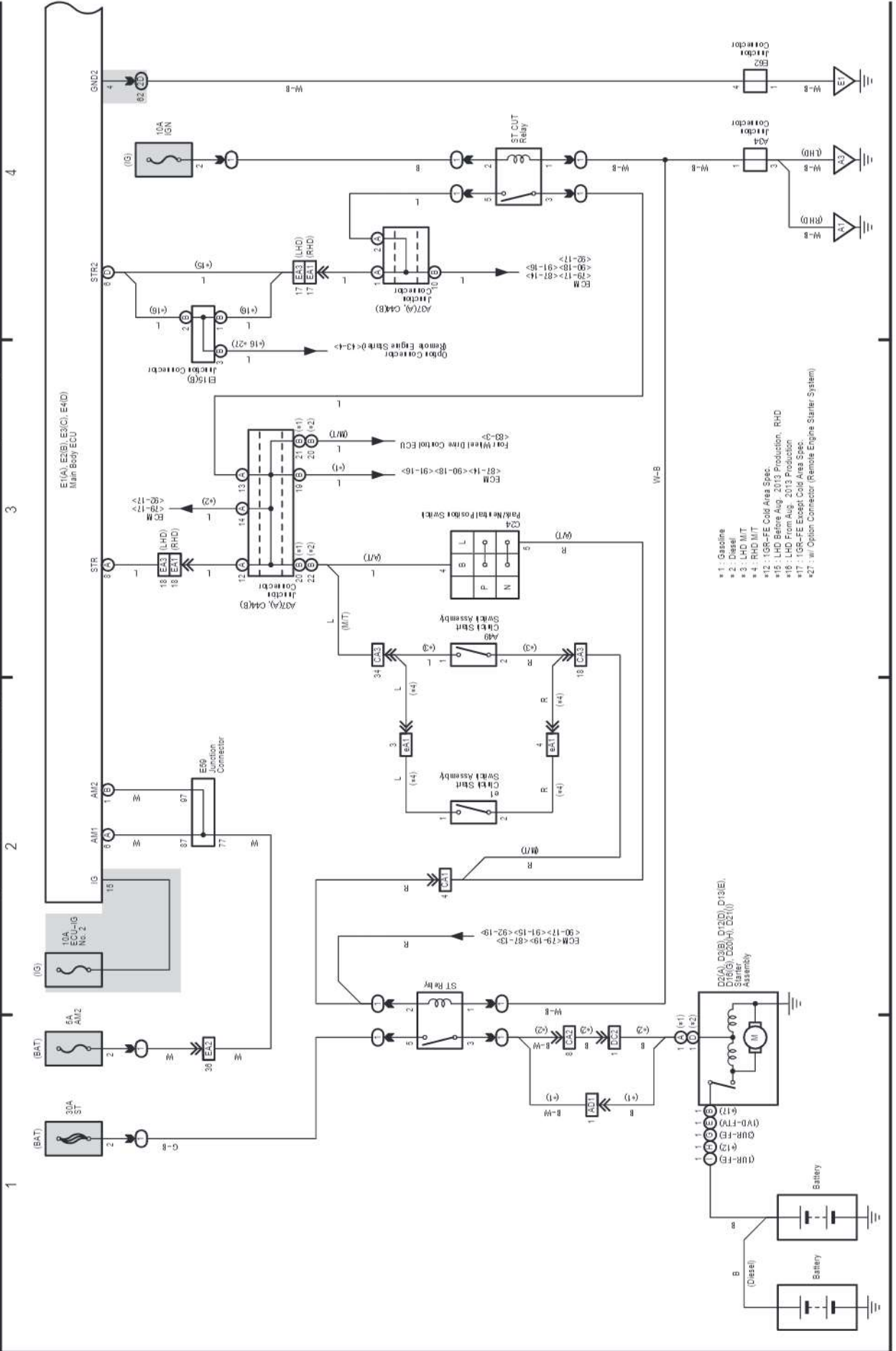


# M OVERALL ELECTRICAL WIRING DIAGRAM

(Cont. next page)

77 LAND CRUISER Station Wagon

Engine Immobiliser System (w/ Entry & Start System), Entry & Start System, Starting (w/ Entry & Start System), Steering Lock (w/ Entry & Start System), Theft Deterrent (w/ Entry & Start System) and Wireless Door Lock Control (w/ Entry & Start System) (From Jan. 2013 Production Except China)

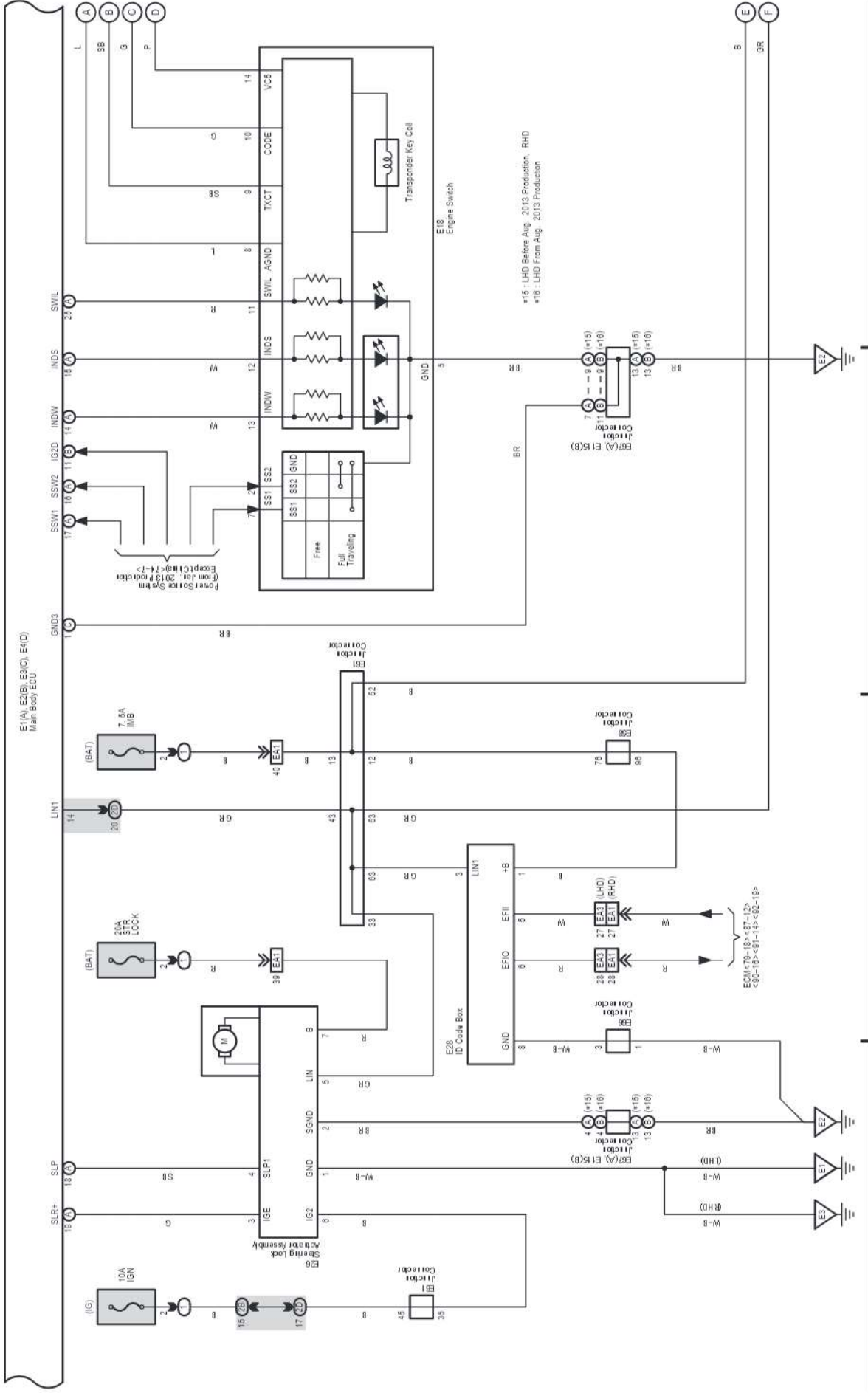


LAND CRUISER Station Wagon (EM22W1E)

77 LAND CRUISER Station Wagon (Cont' d)

(Cont. next page)

Engine Immobiliser System (w/ Entry & Start System), Entry & Start System, Starting (w/ Entry & Start System), Steering Lock (w/ Entry & Start System), Theft Deterrent (w/ Entry & Start System) and Wireless Door Lock Control (w/ Entry & Start System) (From Jan. 2013 Production Except China)



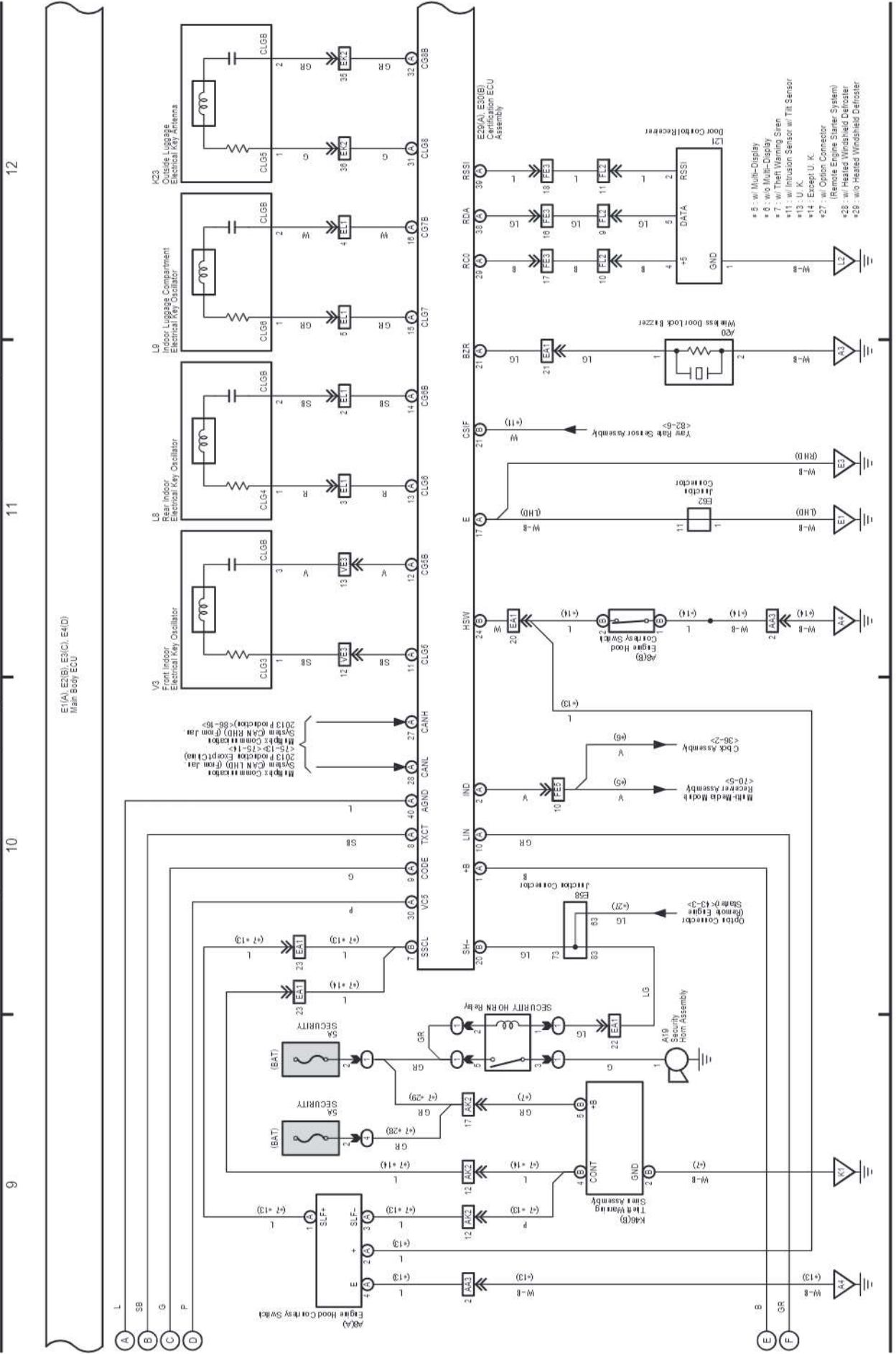
LAND CRUISER Station Wagon (EM22W1E)

# M OVERALL ELECTRICAL WIRING DIAGRAM

77 LAND CRUISER Station Wagon (Cont' d)

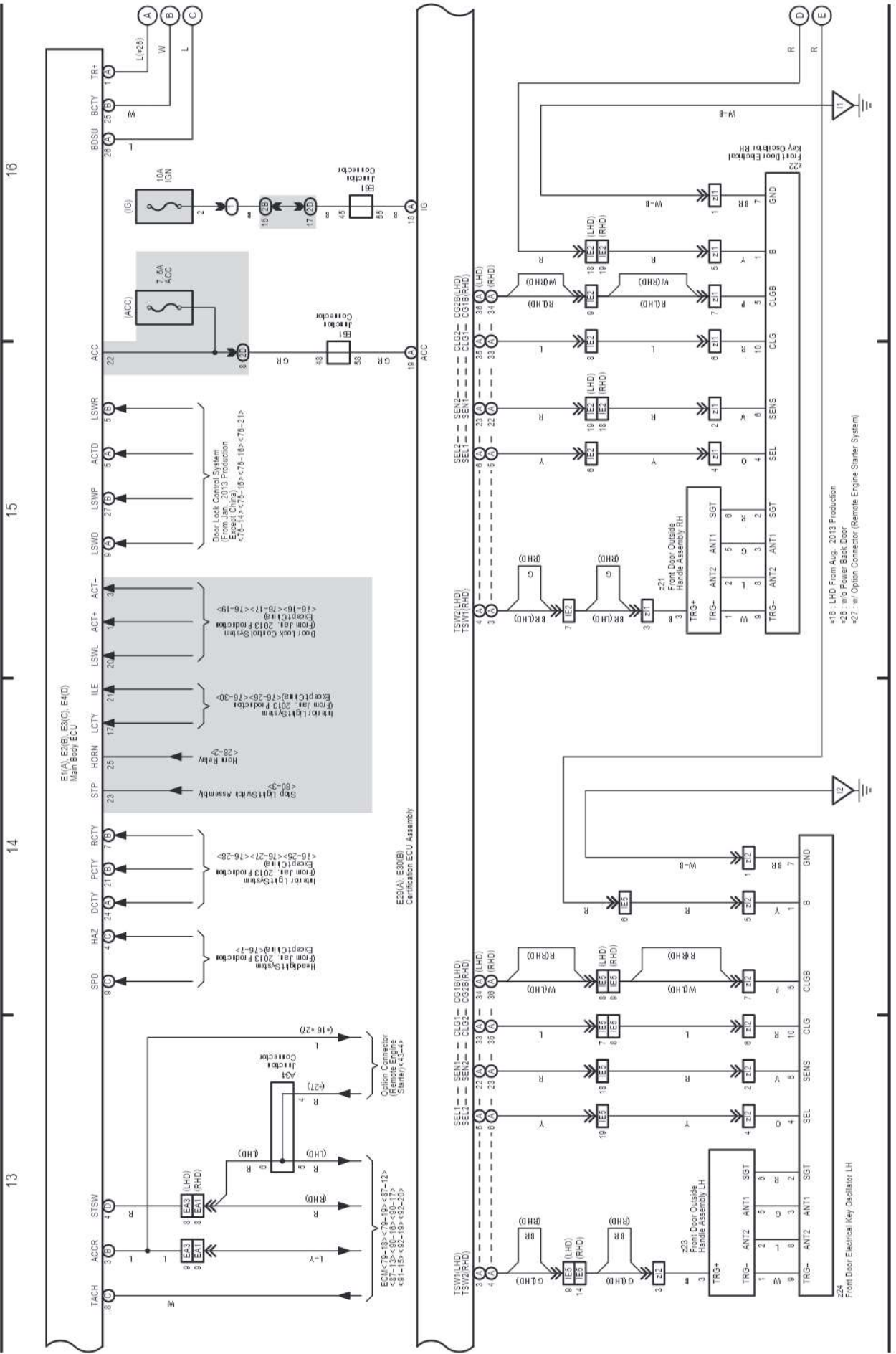
(Cont. next page)

Engine Immobiliser System (w/ Entry & Start System), Entry & Start System, Starting (w/ Entry & Start System), Steering Lock (w/ Entry & Start System), Theft Deterrent (w/ Entry & Start System) and Wireless Door Lock Control (w/ Entry & Start System) (From Jan. 2013 Production Except China)



LAND CRUISER Station Wagon (EM22W1E)

Engine Immobiliser System (w/ Entry & Start System), Entry & Start System, Starting (w/ Entry & Start System), Steering Lock (w/ Entry & Start System), Theft Deterrent (w/ Entry & Start System) and Wireless Door Lock Control (w/ Entry & Start System) (From Jan. 2013 Production Except China)









77 LAND CRUISER Station Wagon (Cont' d)

Back Door Opener (From Jan. 2013 Production Except China)

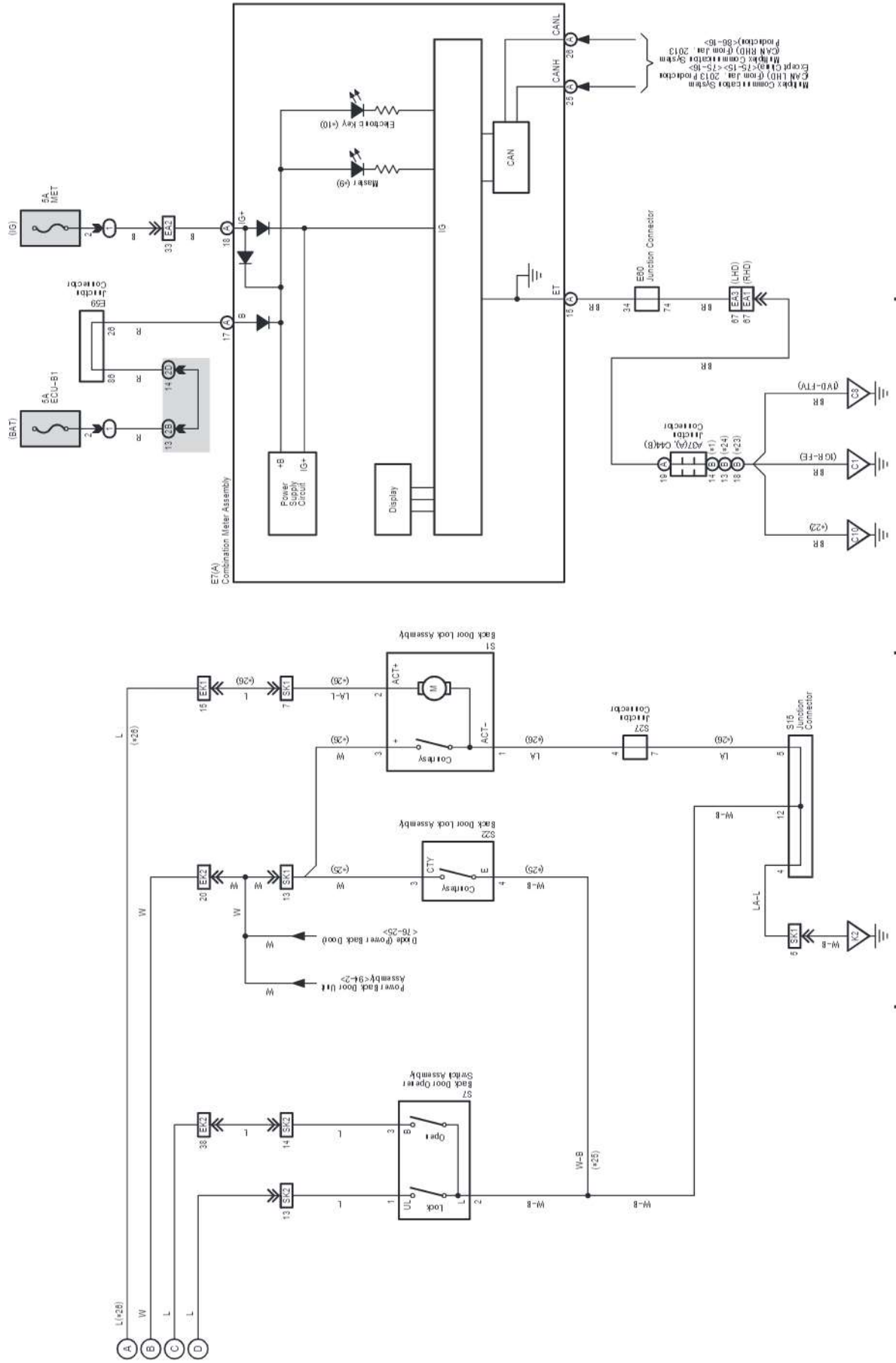
24

23

22

21

- \*1 : Gasoline
- \*23 : 1VCL-FTV w/DPF
- \*8 : Contron Meter
- \*24 : 1VCL-FTV w/o DPF
- \*10 : Excess Option Meter
- \*25 : w/ Power Back Door
- \*22 : 3UR-EE, 1UR-EE
- \*26 : w/o Power Back Door



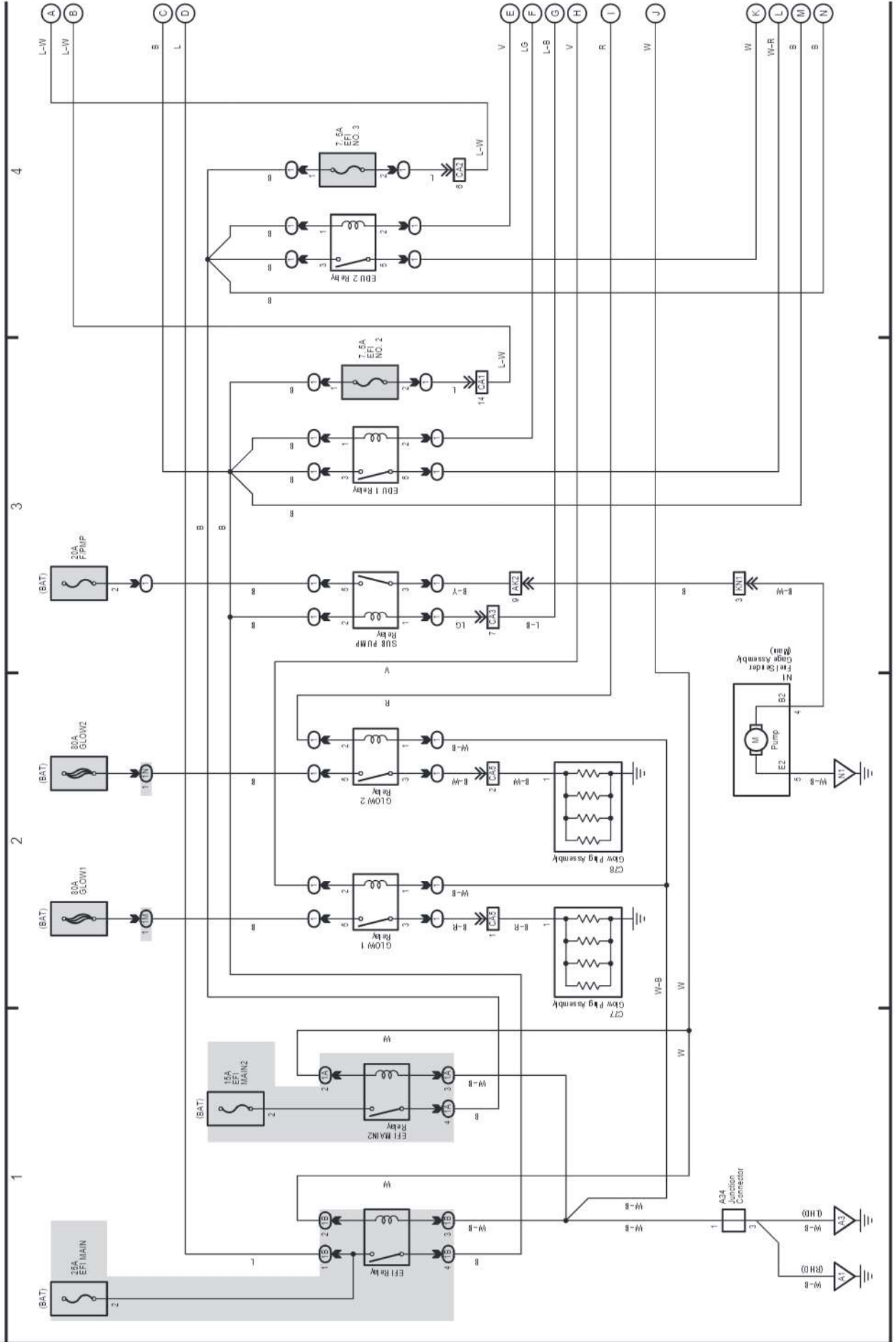


# M OVERALL ELECTRICAL WIRING DIAGRAM

(Cont. next page)

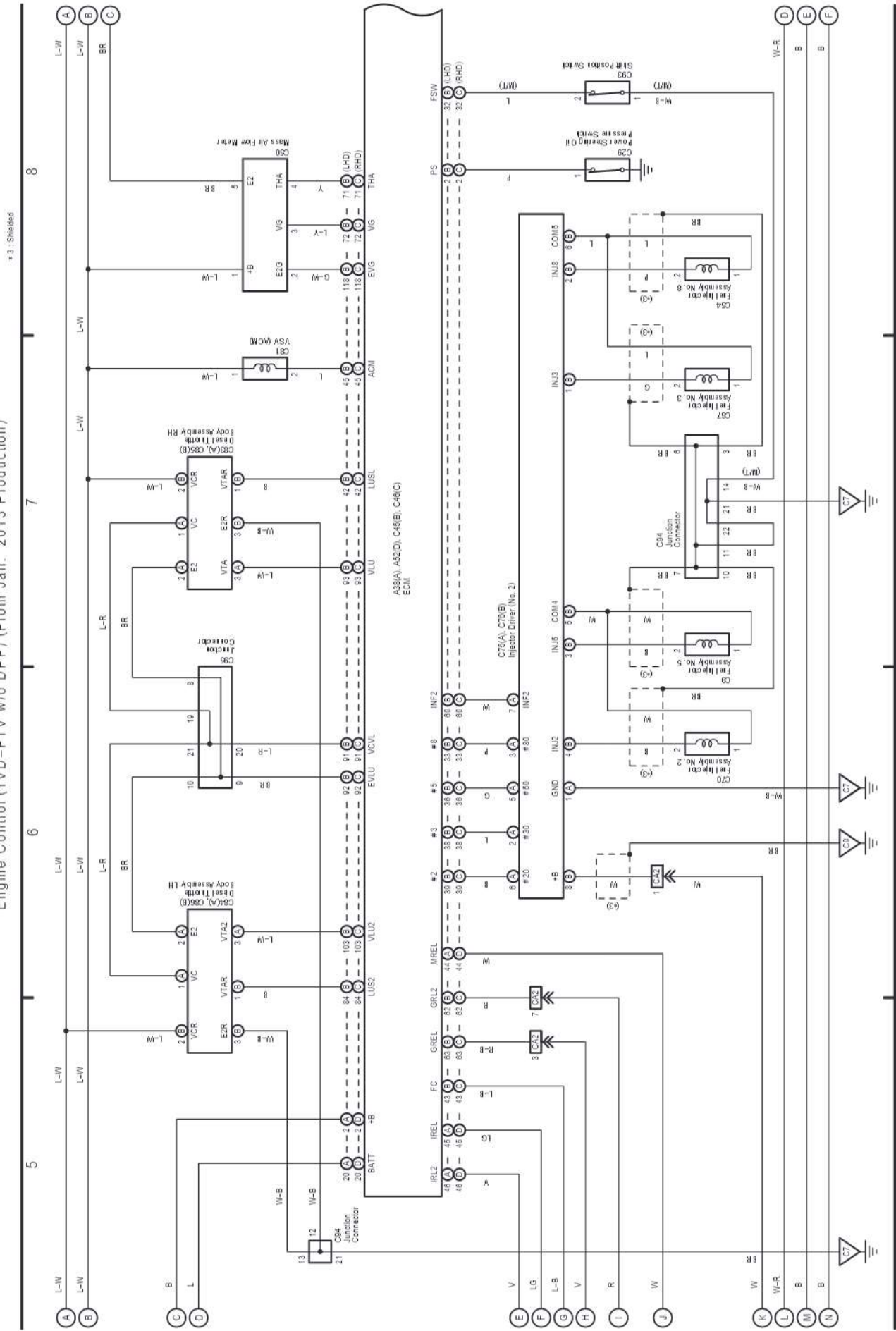
79 LAND CRUISER Station Wagon

Engine Control (1VD-FTV w/o DPF) (From Jan. 2013 Production)



LAND CRUISER Station Wagon (EM22W1E)

Engine Control (1VD-FTV w/o DPF) (From Jan. 2013 Production)



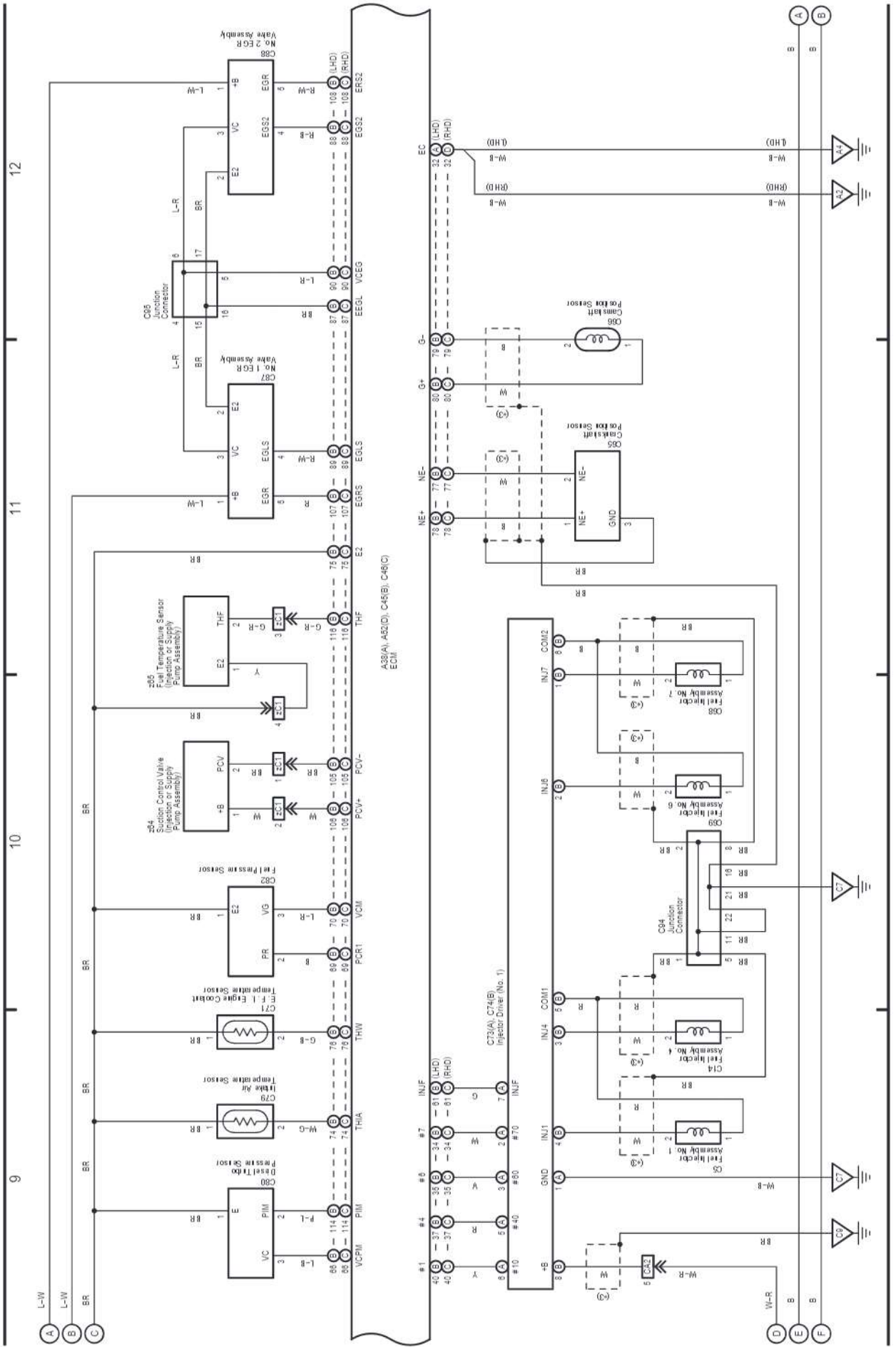
# M OVERALL ELECTRICAL WIRING DIAGRAM

79 LAND CRUISER Station Wagon (Cont' d)

(Cont. next page)

Engine Control (1VD-FTV w/o DPF) (From Jan. 2013 Production)

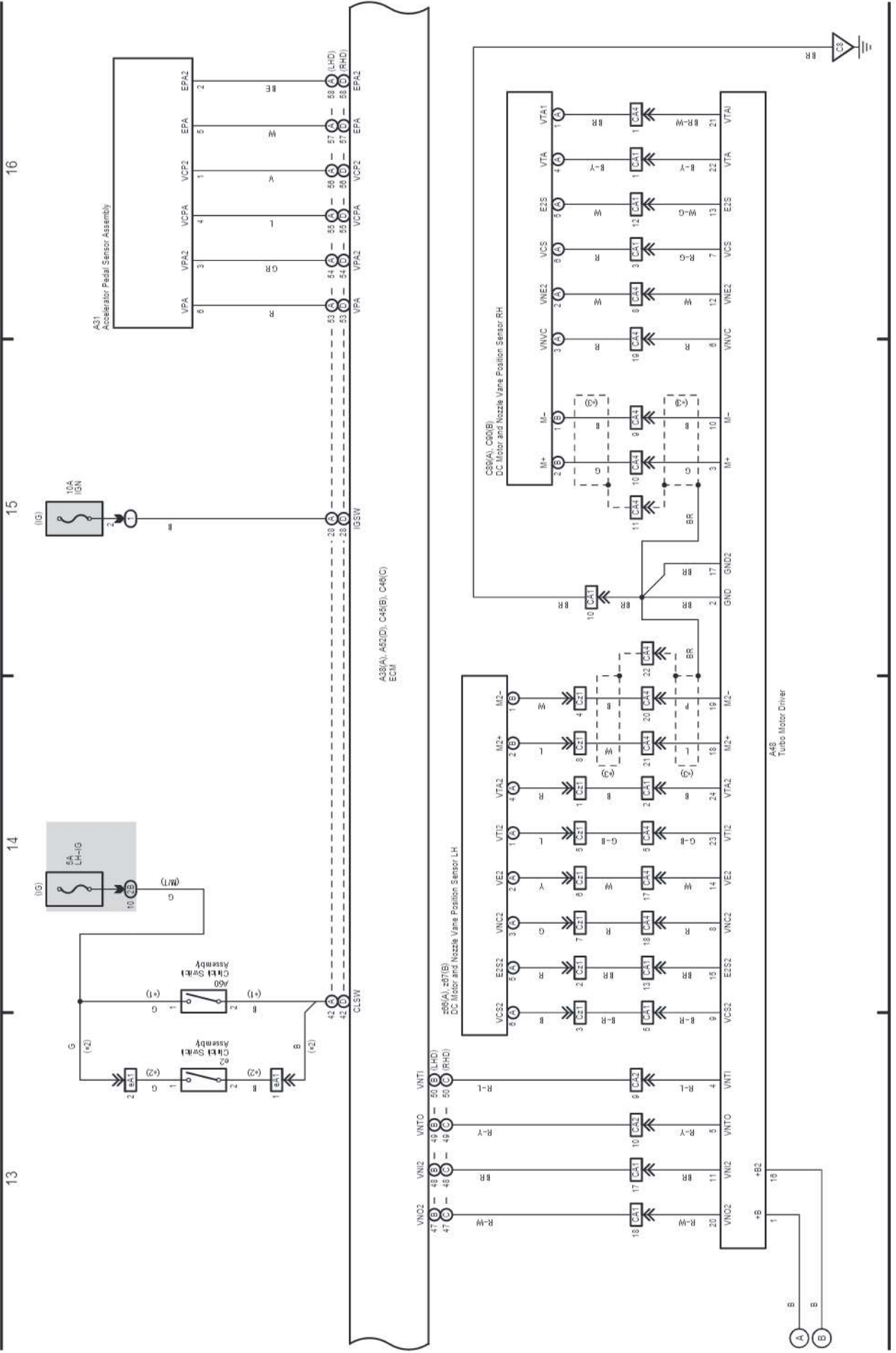
\* 3 - Shielded





Engine Control (1VD-FTV w/o DPF)  
(From Jan. 2013 Production)

- \*1: LHD/MT
- \*2: RHD/MT
- \*3: Shaded





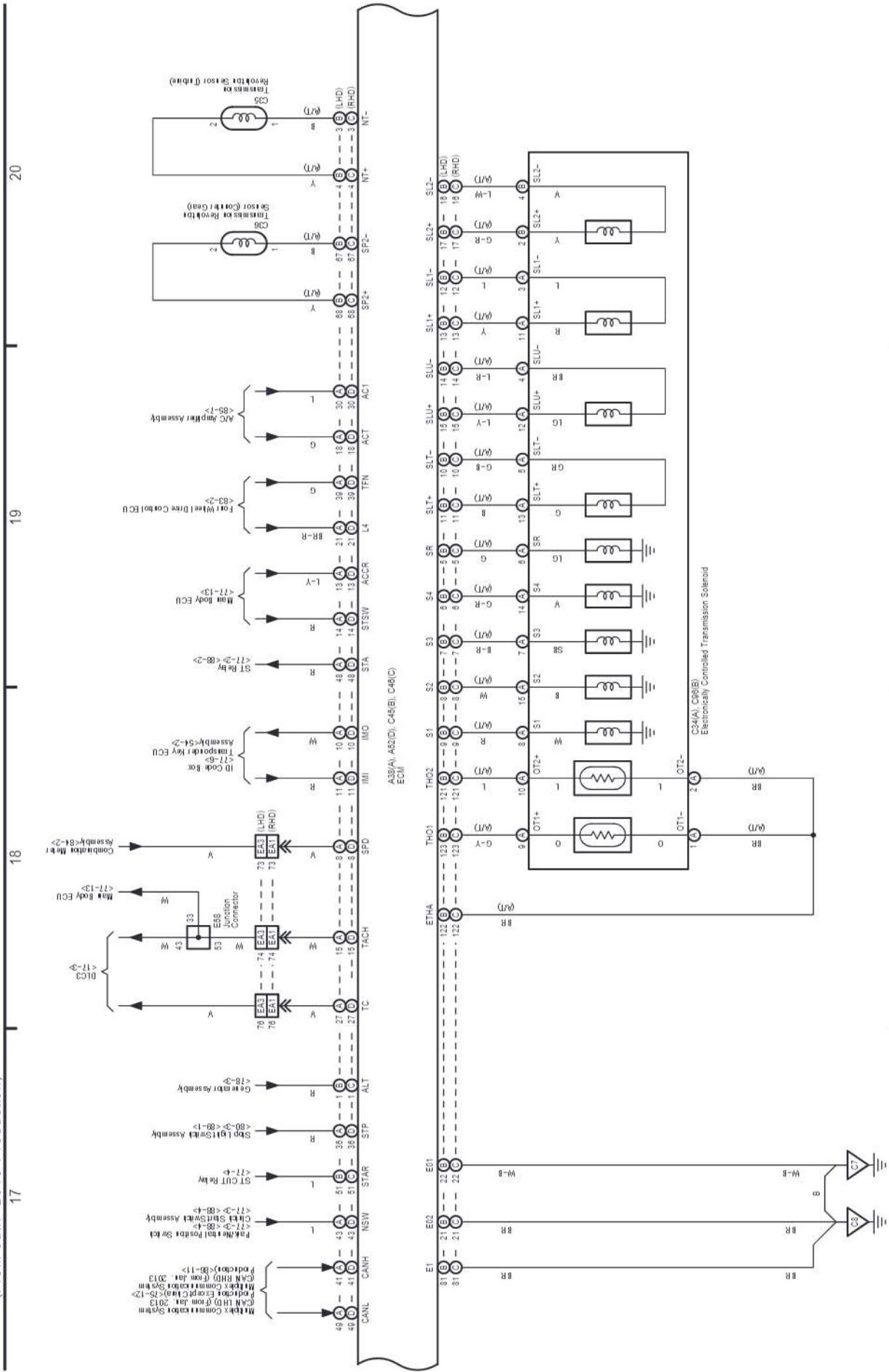
# M OVERALL ELECTRICAL WIRING DIAGRAM

(Cont. next page)

79 LAND CRUISER Station Wagon (Cont' d)

Engine Control  
(1VD-FTV w/o DPF)  
(From Jan. 2013 Production)

Cruise Control (1VD-FTV w/o DPF) (From Jan. 2013 Production)



LAND CRUISER Station Wagon (EM22W1E)



# M OVERALL ELECTRICAL WIRING DIAGRAM

## 79 LAND CRUISER Station Wagon (Cont' d)

ECT and A/T Indicator (1VD-FTV w/o DPF)  
(From Jan. 2013 Production)

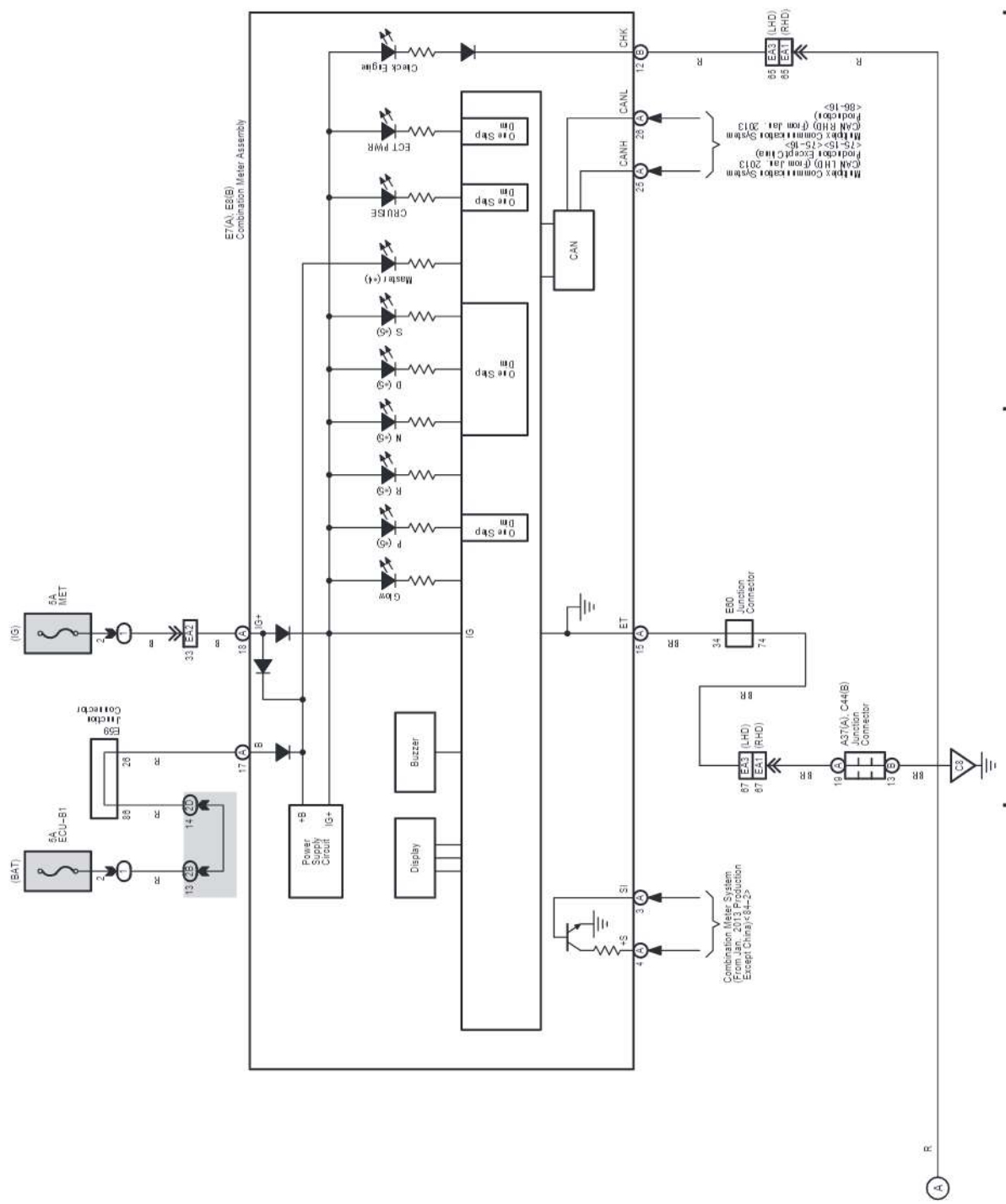
\* 4 - Opticon Meter  
\* 5 - Except Opticon Meter

28

27

26

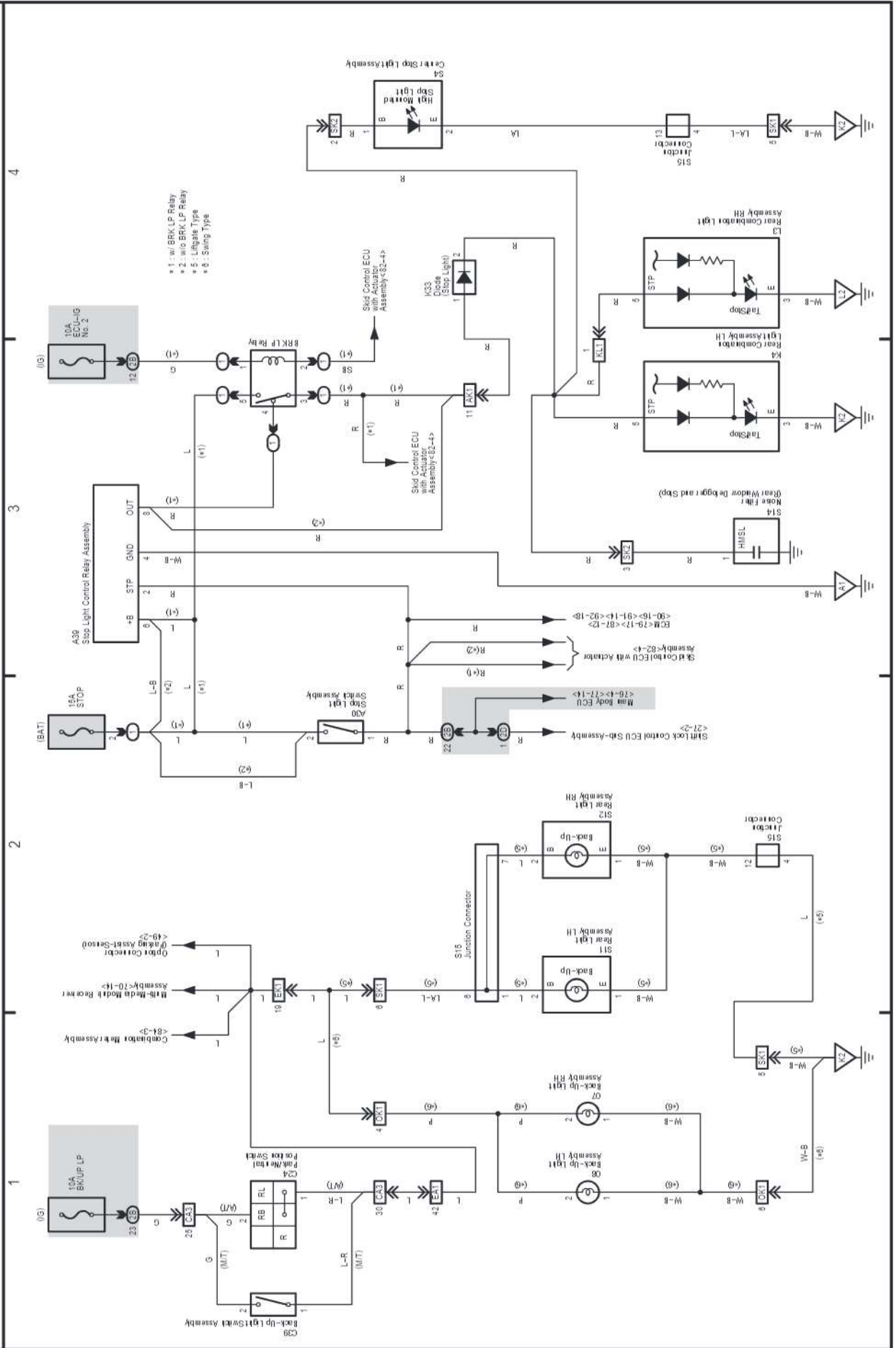
25



80 LAND CRUISER Station Wagon

Back-Up Light  
(From Jan. 2013 Production Except China)

Stop Light (Liftgate Type)  
(From Jan. 2013 Production Except China)



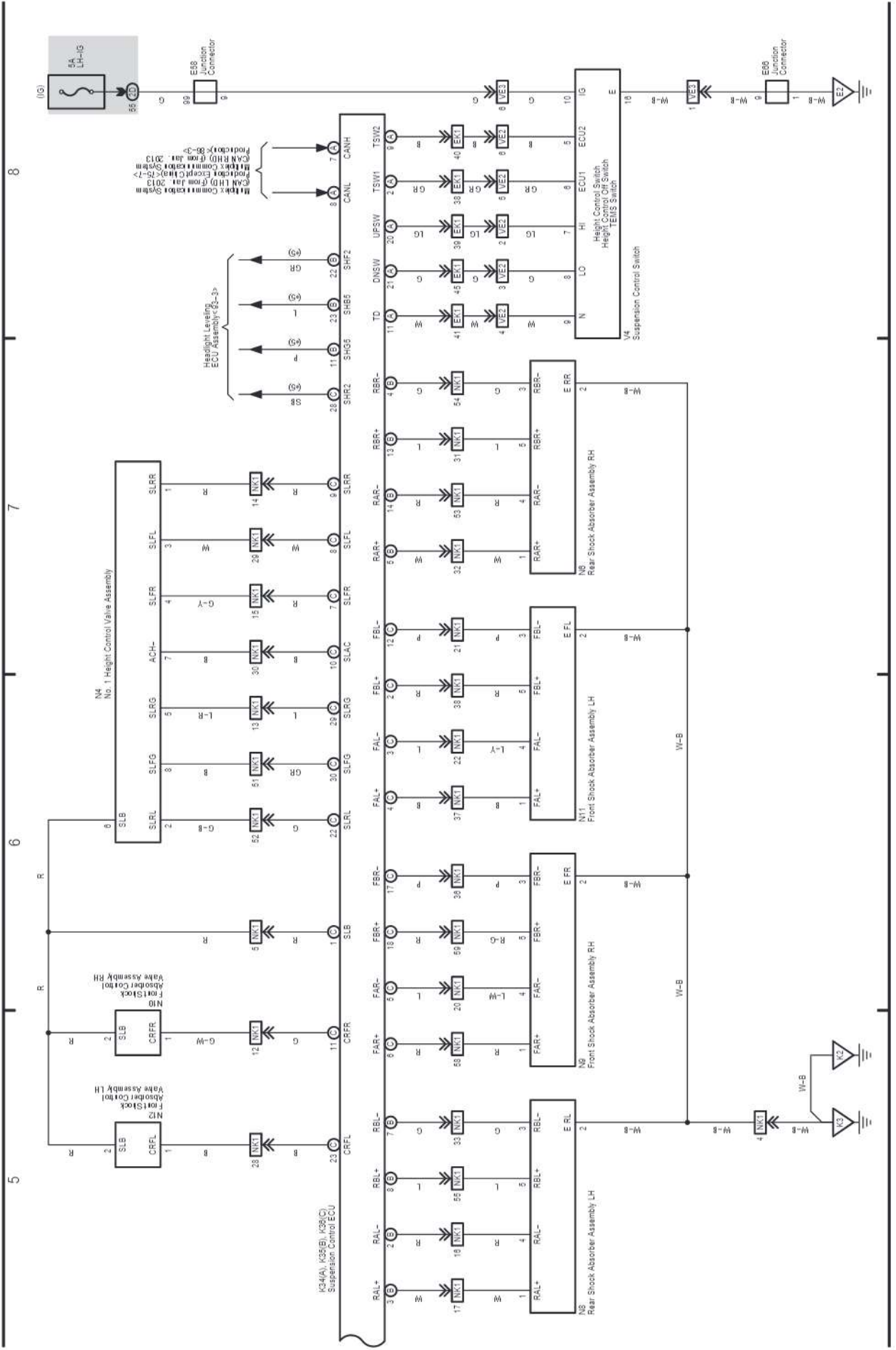
LAND CRUISER Station Wagon (EM22W1E)





Active Height Control Suspension and Adaptive Variable Suspension  
(From Jan. 2013 Production)

\* 6: w/ Headlight Beam Level Control  
(Automatic Dynamic Type)





# M OVERALL ELECTRICAL WIRING DIAGRAM

## 81 LAND CRUISER Station Wagon (Cont' d)

Active Height Control Suspension and Adaptive Variable Suspension  
(From Jan. 2013 Production)

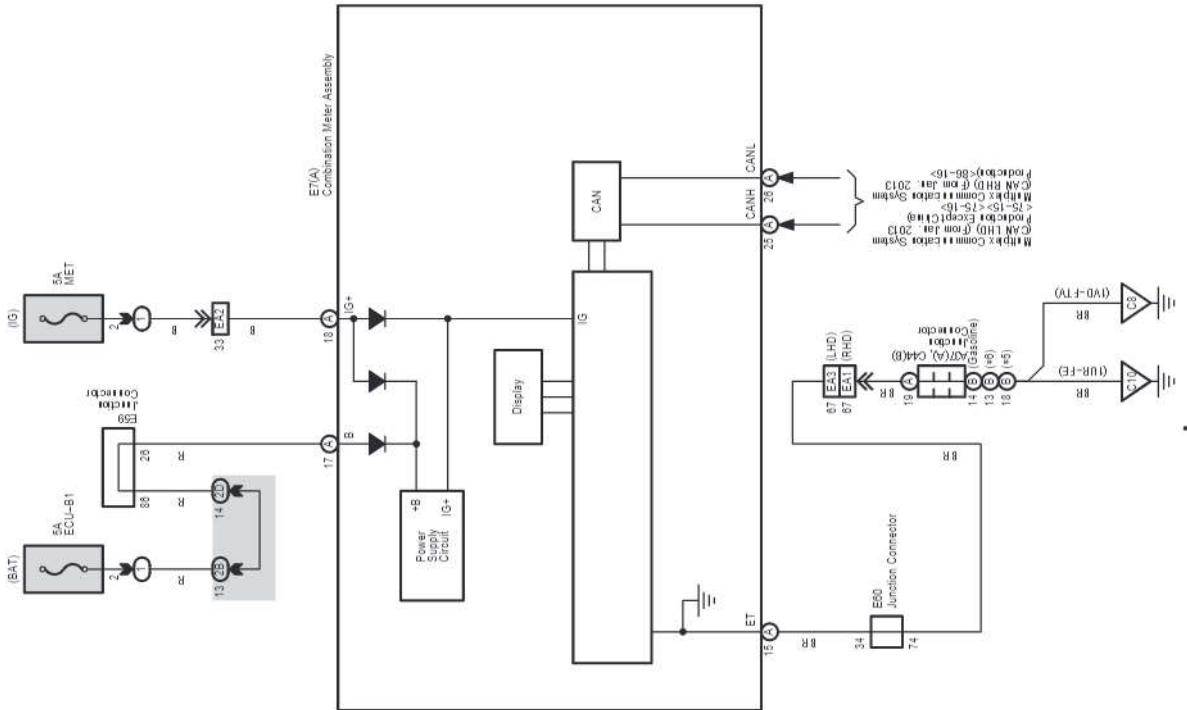
\* 6 : VD-FTV w/ DFF  
\* 8 : VD-FTV w/o DFF

12

11

10

9



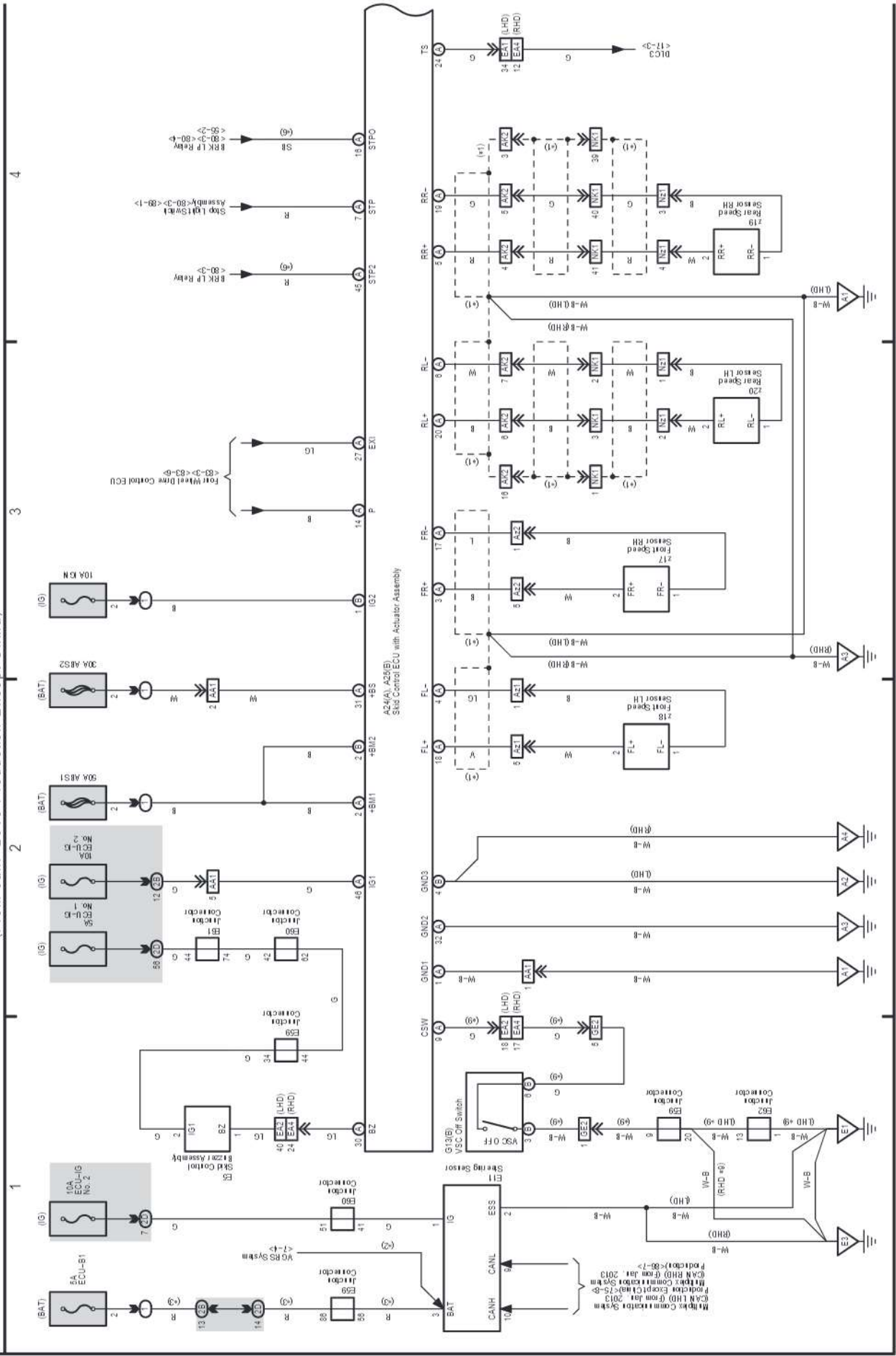
# M OVERALL ELECTRICAL WIRING DIAGRAM

(Cont. next page)

82 LAND CRUISER Station Wagon

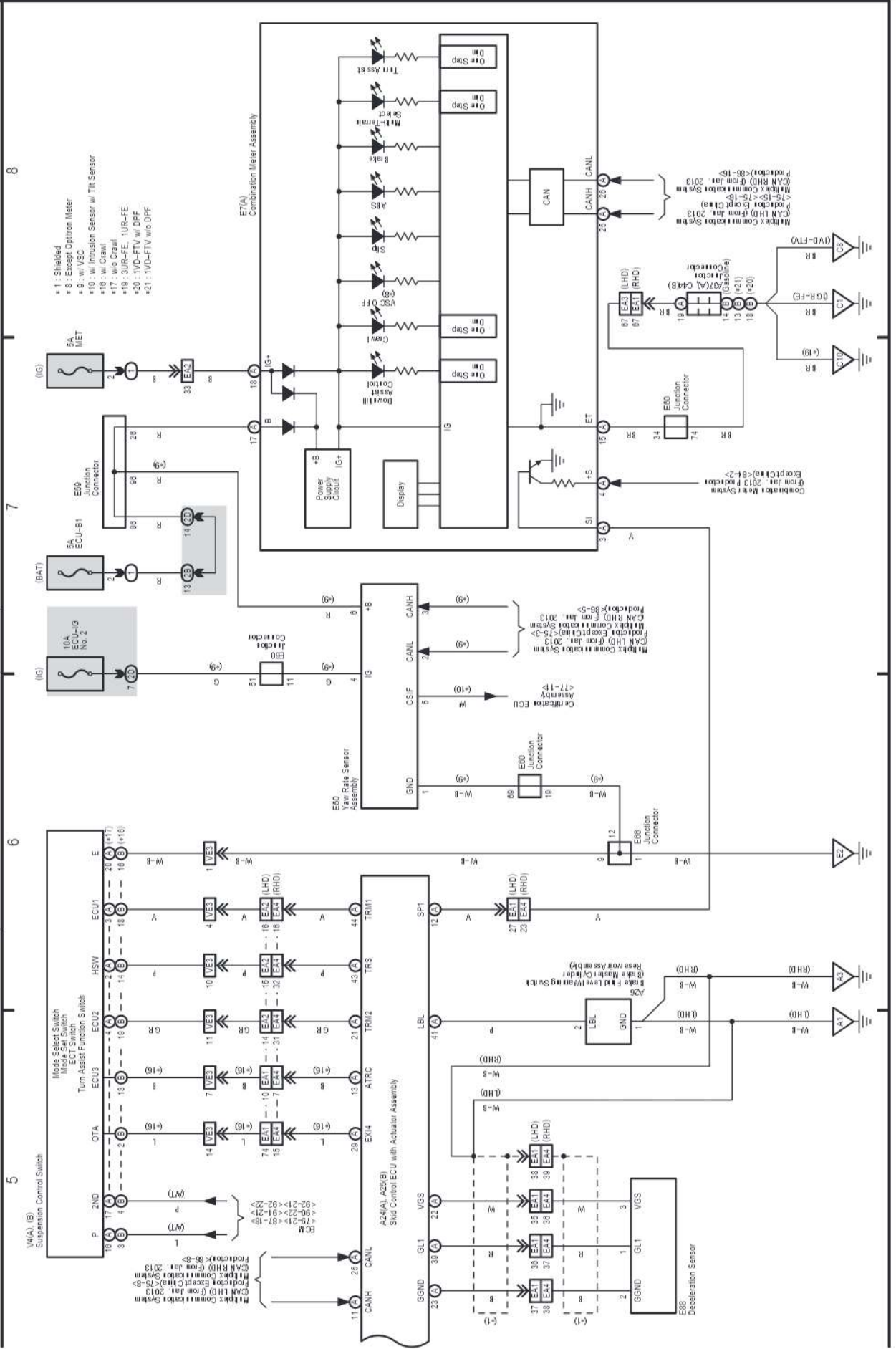
ABS, A-TRC, Brake Assist, Crawl, Downhill Assist Control, EBD, Hill-Start Assist Control, Multi-Terrain Select and VSC  
(From Jan. 2013 Production Except China)

- \* 1: Shielded
- \* 2: w/ VGRS
- \* 3: w/o VGRS
- \* 4: w/ BRK LFP Relay
- \* 5: w/ VSC



82 LAND CRUISER Station Wagon (Cont' d)

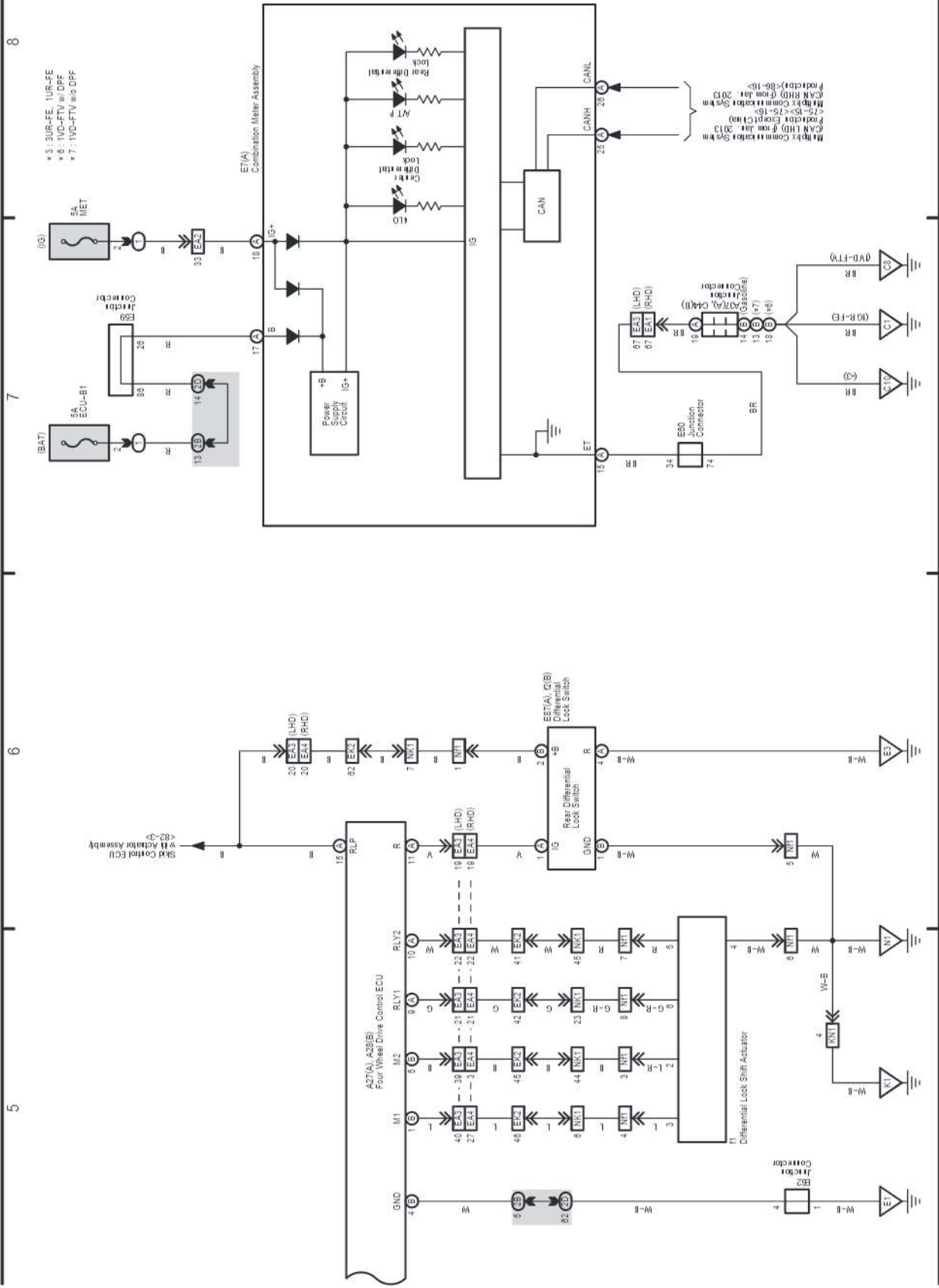
ABS, A-TRC, Brake Assist, Cruise, Downhill Assist Control, EBD, Hill-Start Assist Control, Multi-Terrain Select and VSC  
(From Jan. 2013 Production Except China)



LAND CRUISER Station Wagon (EM22W1E)



Multi Mode 4WD (From Jan. 2013 Production Except China)

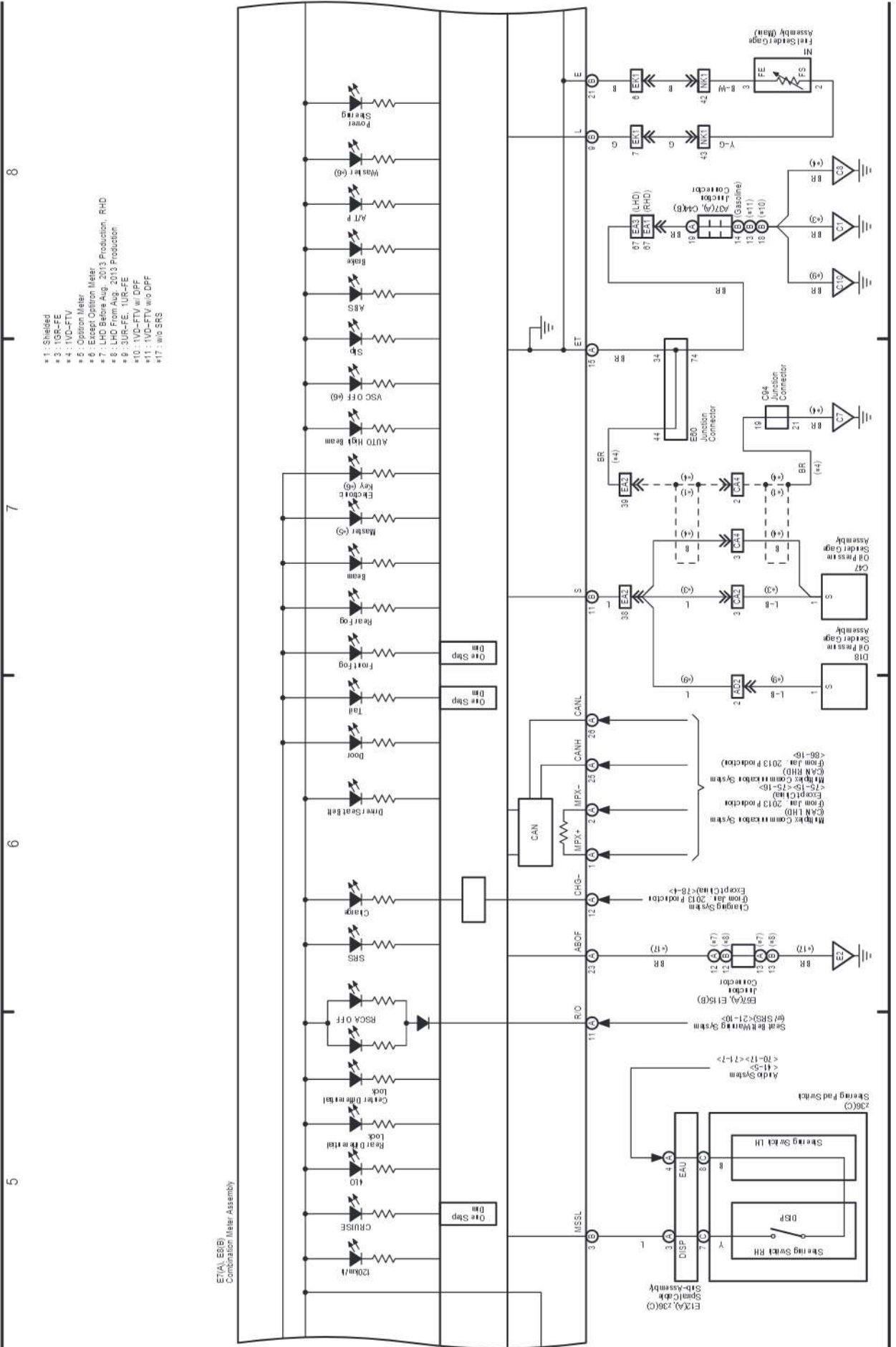








Combination Meter (From Jan. 2013 Production Except China)



# M OVERALL ELECTRICAL WIRING DIAGRAM

## 84 LAND CRUISER Station Wagon (Cont' d)

Combination Meter (From Jan. 2013 Production Except China)

12

11

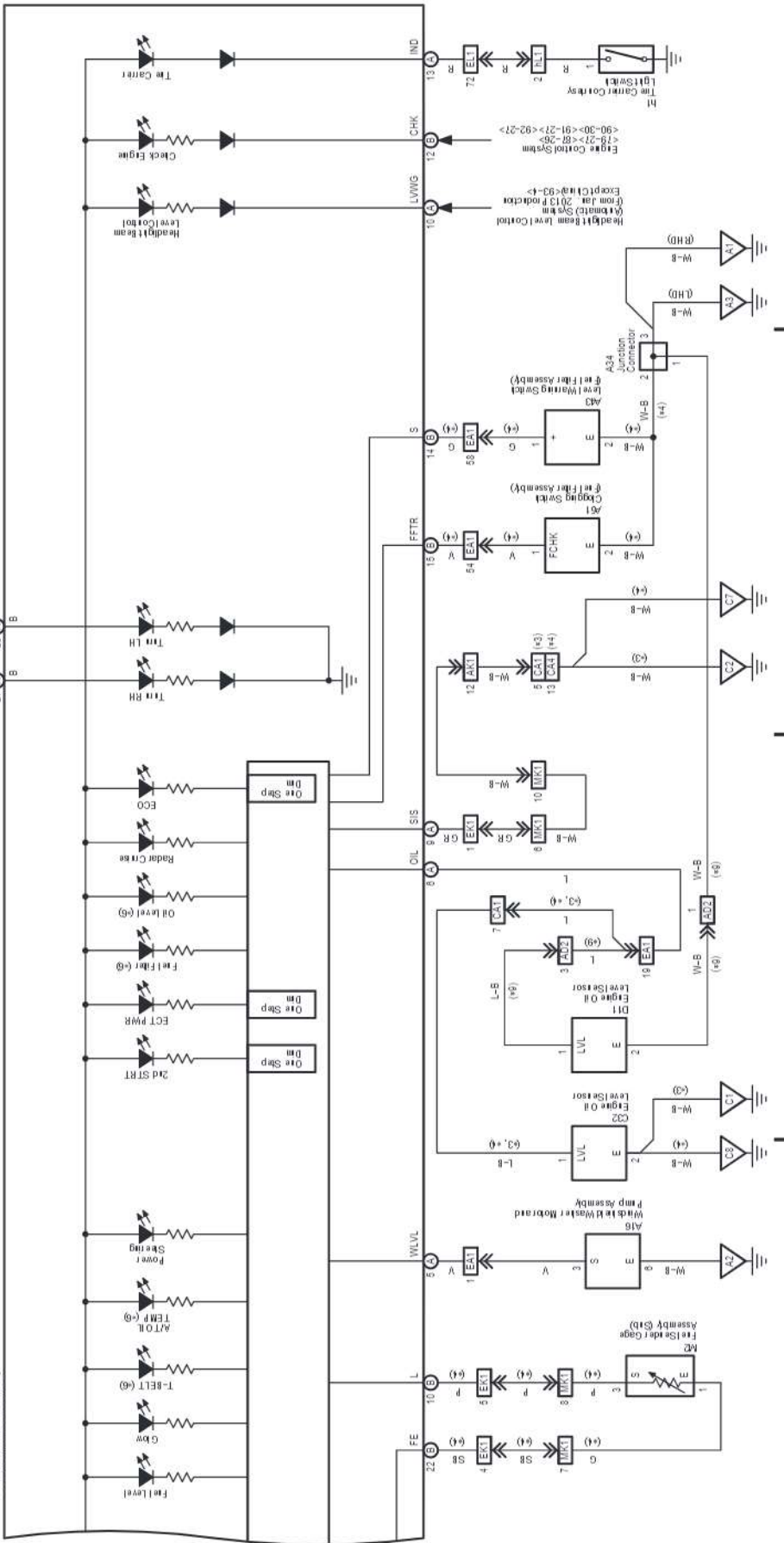
10

9

- #3 : 1GR-FE
- #4 : 1VD-FTV
- #6 : Except Option Meter
- #8 : 3UR-FE, 1UR-FE

From Jan. 2012 Production  
Wiring LHT System  
<61-4>

ET(A), E83(B)  
Combination Meter Assembly



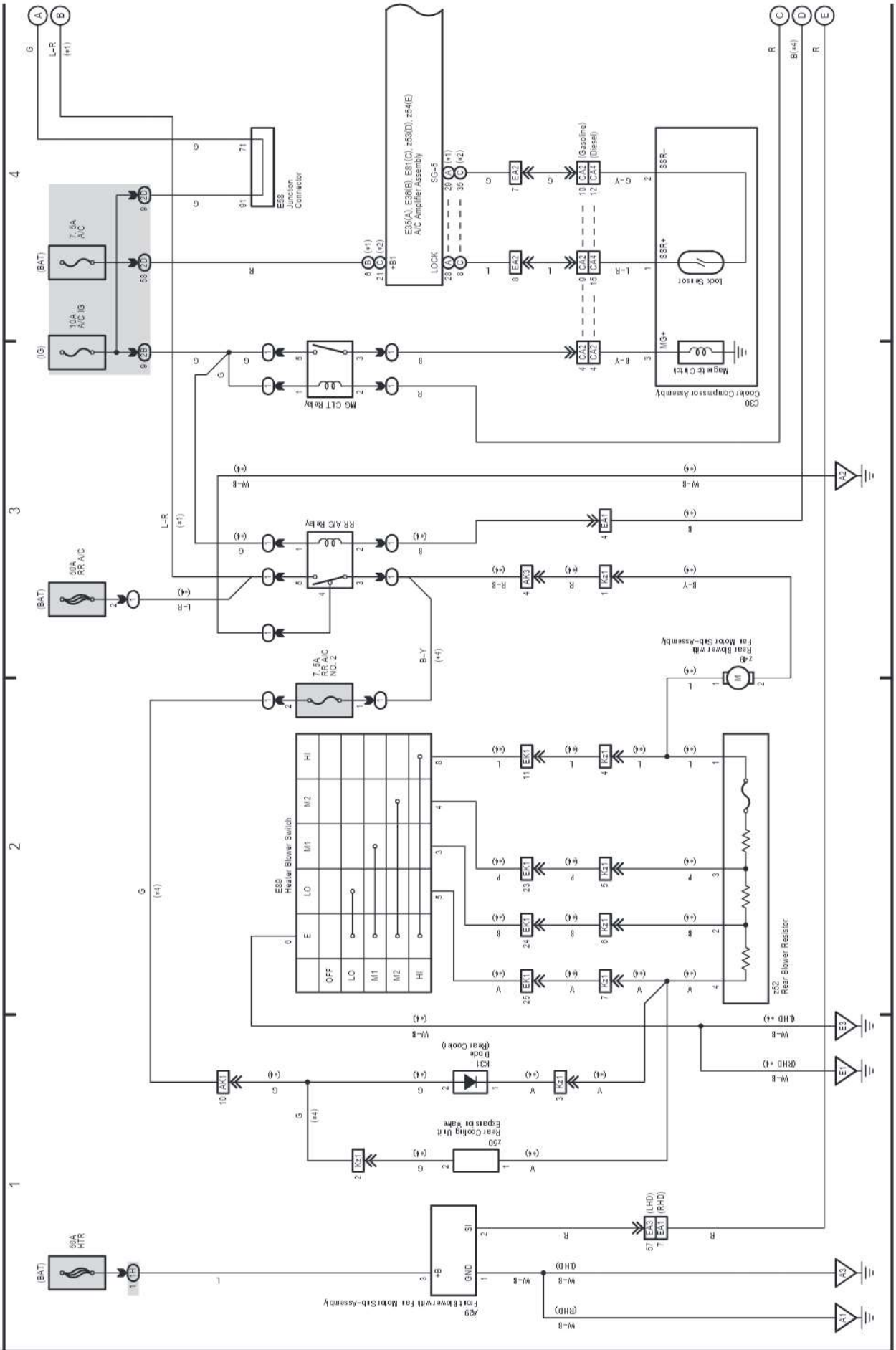
# M OVERALL ELECTRICAL WIRING DIAGRAM

(Cont. next page)

85 LAND CRUISER Station Wagon

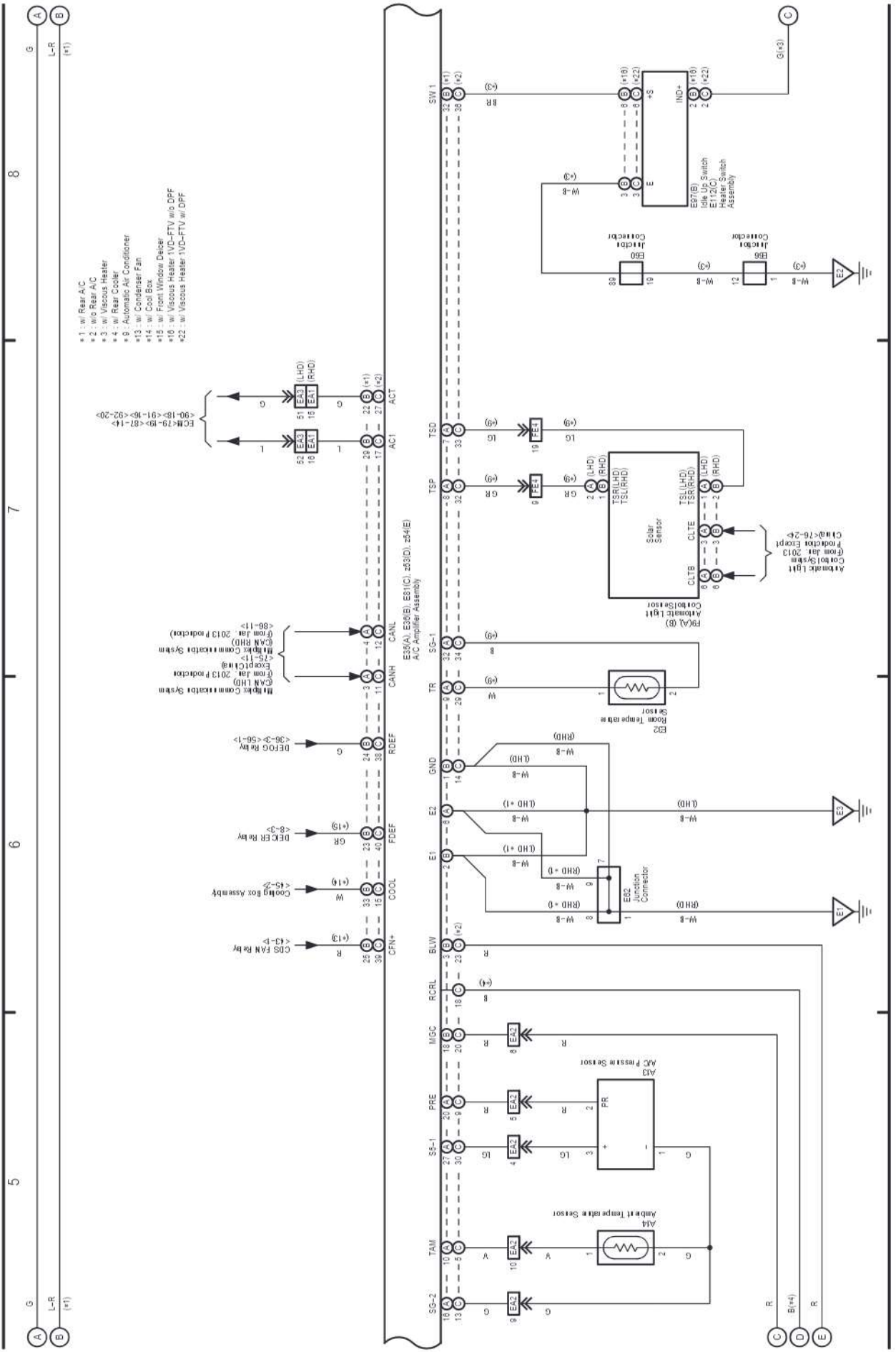
Air Conditioner  
(From Jan. 2013 Production Except China)

\*1 : w/ Rear A/C  
\*2 : w/o Rear A/C  
\*4 : w/ Rear Cooler



LAND CRUISER Station Wagon (EM22W1E)

Air Conditioner  
(From Jan. 2013 Production Except China)



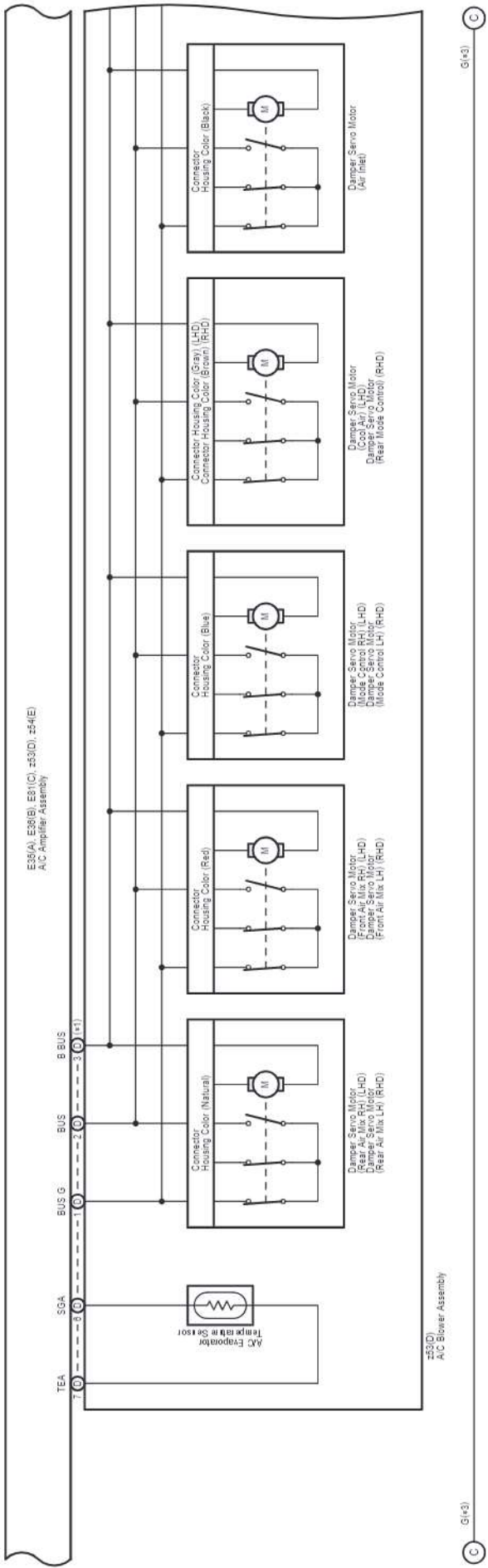
# M OVERALL ELECTRICAL WIRING DIAGRAM

85 LAND CRUISER Station Wagon (Cont' d)

(Cont. next page)

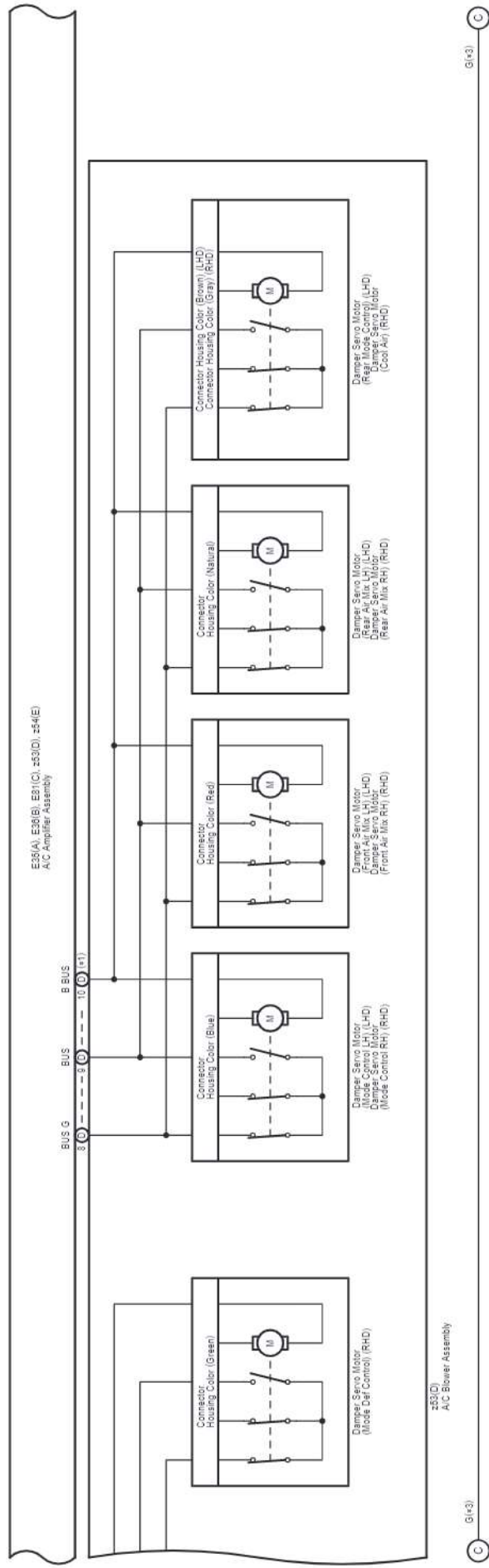
Air Conditioner  
(From Jan. 2013 Production Except China)

\*1 : w/ Rear A/C  
\*2 : w/ Viscous Haater



Air Conditioner  
(From Jan. 2013 Production Except China)

\* 1 - w/ Rear A/C  
\* 3 - w/ Viscous Heater





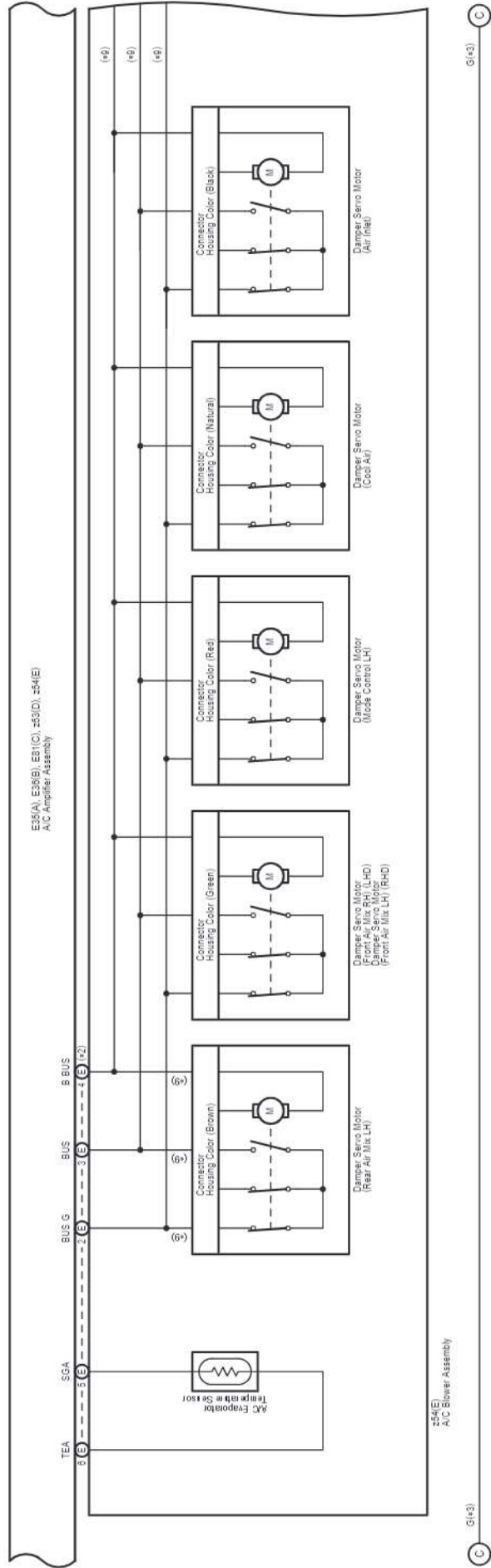
# M OVERALL ELECTRICAL WIRING DIAGRAM

85 LAND CRUISER Station Wagon (Cont' d)

(Cont. next page)

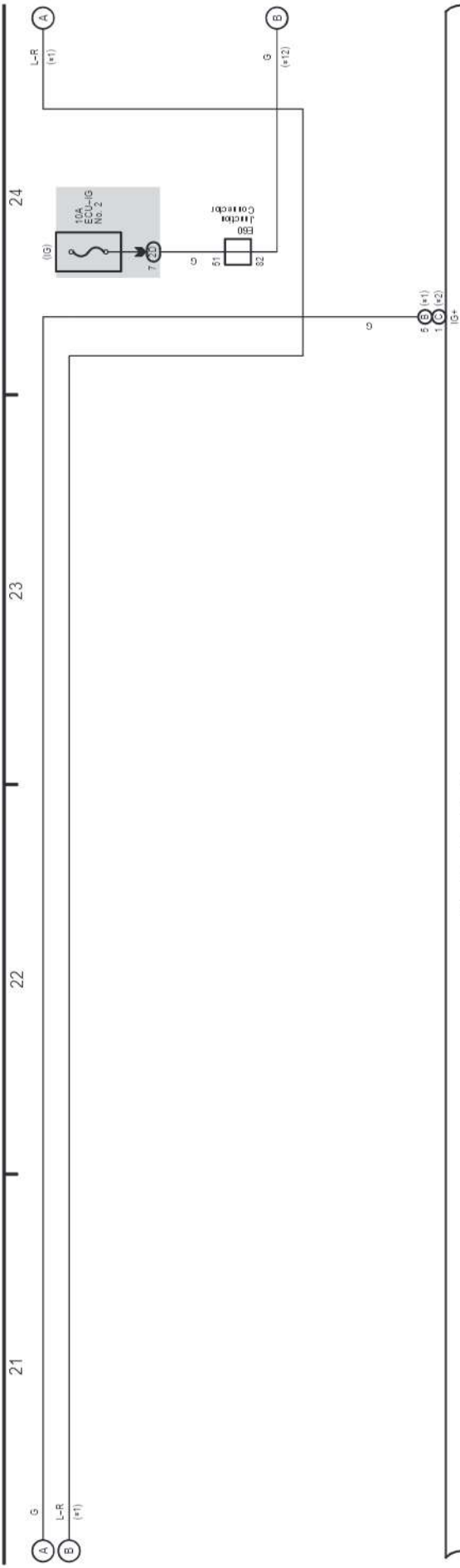
- \* 1 : w/ Rear A/C
- \* 2 : w/o Rear A/C
- \* 3 : w/ Viscous Heater
- \* 9 : Automatic Air Conditioner

Air Conditioner  
(From Jan. 2013 Production Except China)

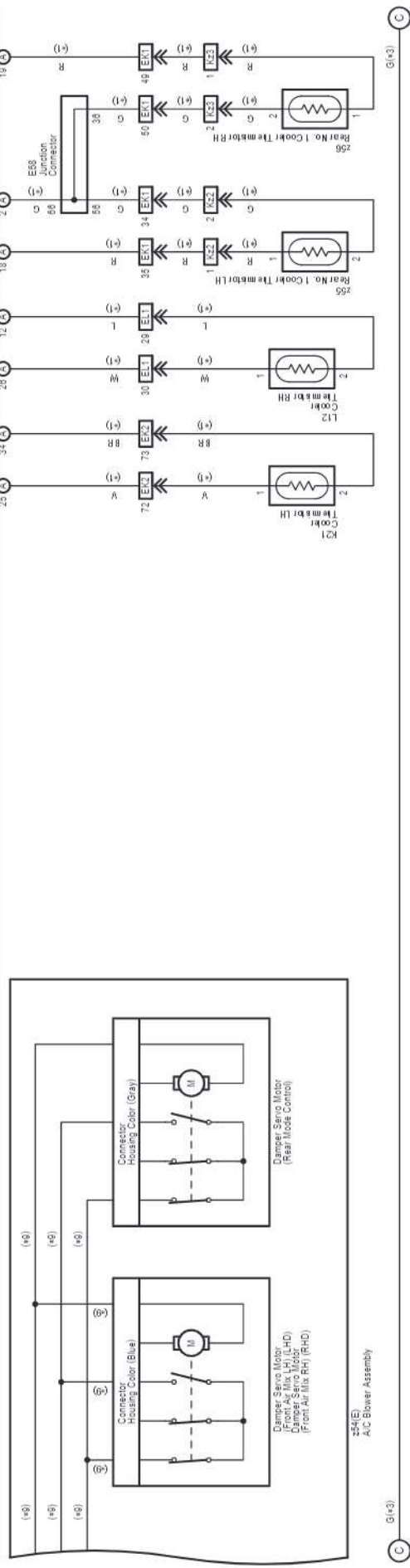


Air Conditioner  
(From Jan. 2013 Production Except China)

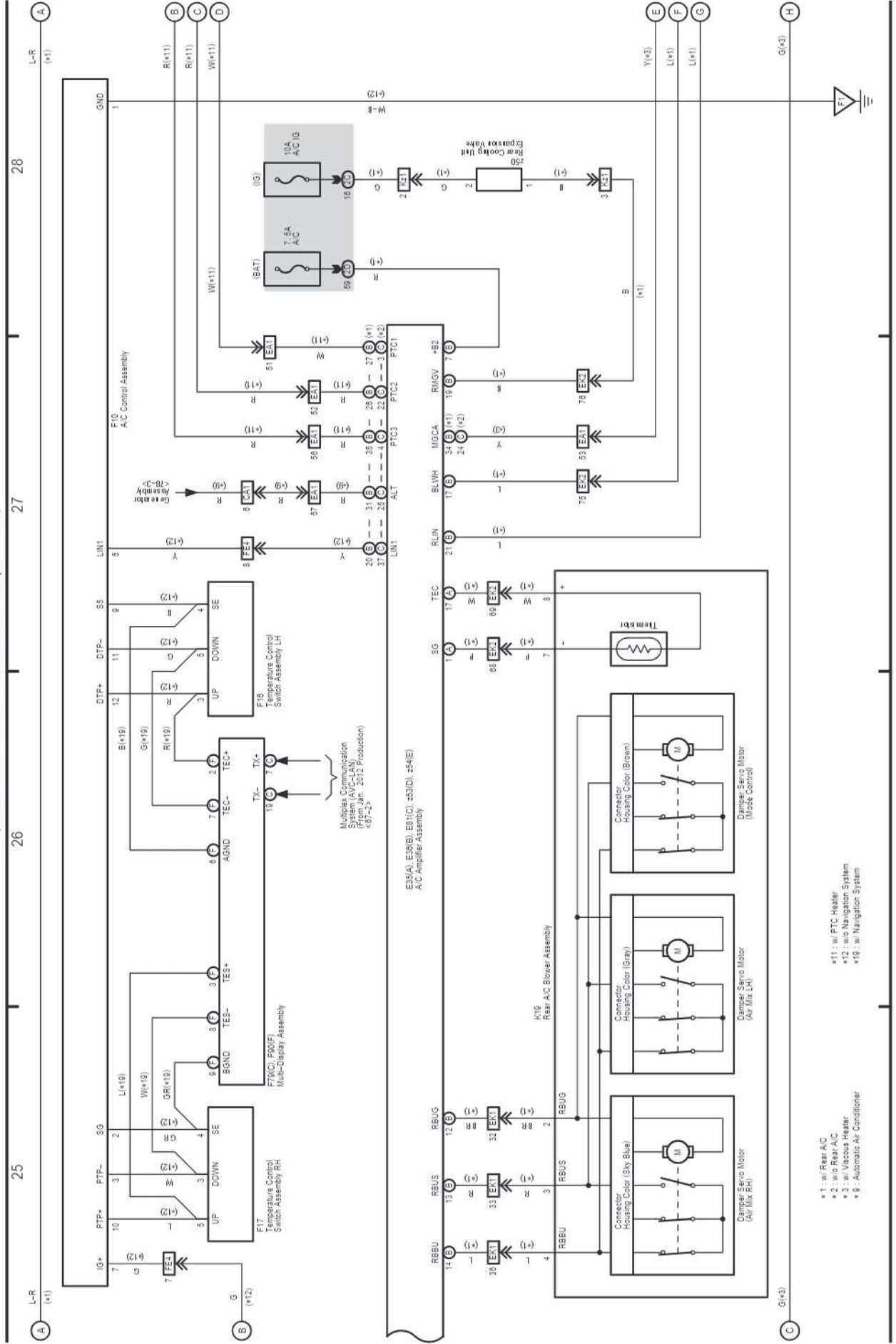
- \*1 - w/ Rear A/C
- \*2 - w/o Rear A/C
- \*3 - w/ Viscous Heater
- \*4 - Automatic Air Conditioner
- \*12 - w/o Navigation System



ES34(A), ES38(B), ES11(C), #33(D), #34(E)  
A/C Amplifier Assembly



Air Conditioner  
(From Jan. 2013 Production Except China)



LAND CRUISER Station Wagon (EM22W1E)

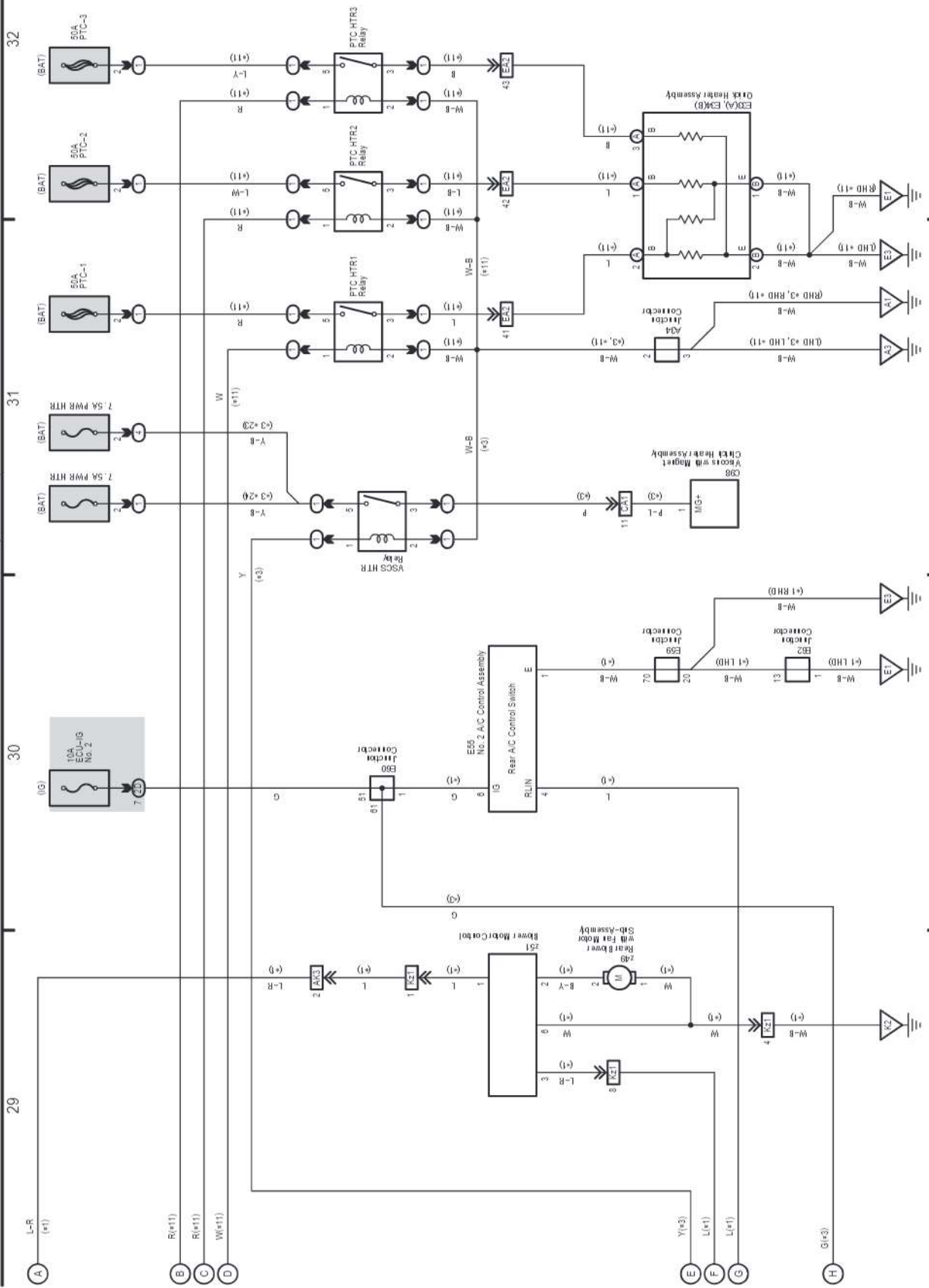
- # 1 : w/ Rear A/C
- # 2 : w/o Rear A/C
- # 3 : w/ Viscous Heater
- # 4 : Automatic Air Conditioner
- # 11 : w/ PTC Heater
- # 12 : w/o Navigation System
- # 19 : w/ Navigation System

85 LAND CRUISER Station Wagon (Cont' d)

Air Conditioner  
(From Jan. 2013  
Production Except China)

\*1: w/ Rear A/C  
\*3: w/ Viscous Heater  
\*11: w/ PTC Heater

\*23: w/ Heated Windshield Defogger  
\*24: w/o Heated Windshield Defogger



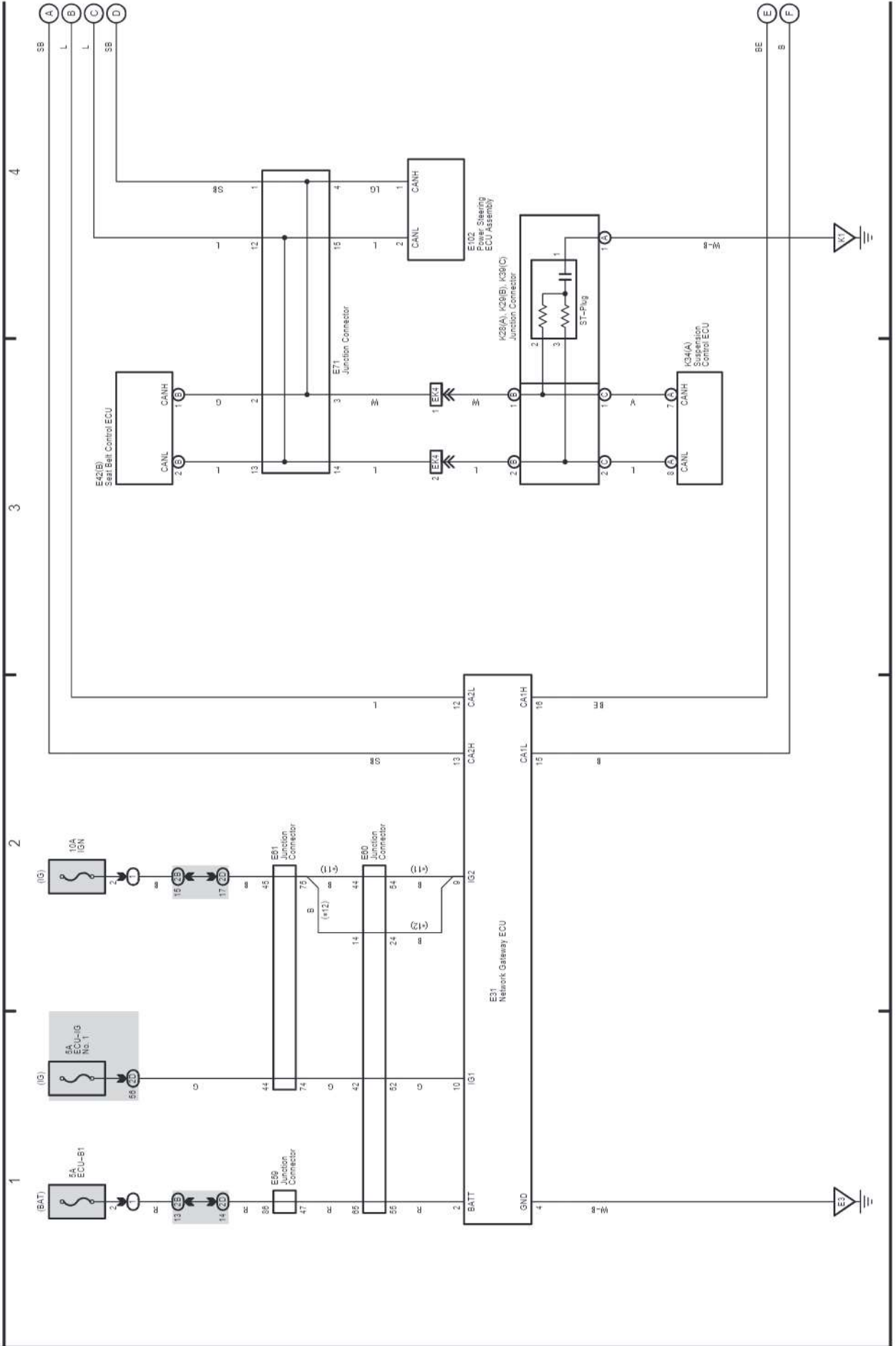
# M OVERALL ELECTRICAL WIRING DIAGRAM

(Cont. next page)

86 LAND CRUISER Station Wagon

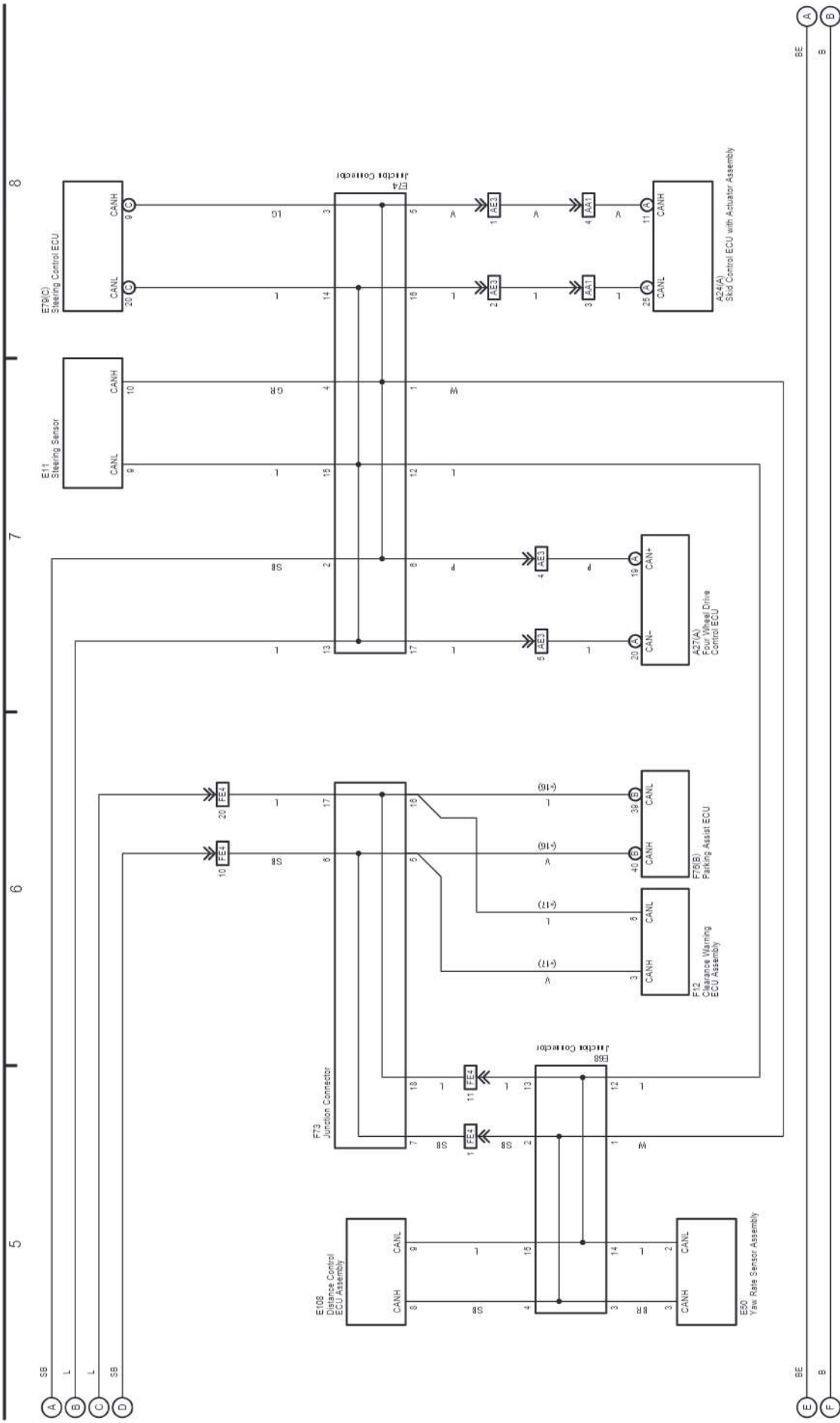
### Multiplex Communication System (CAN RHD) (From Jan. 2013 Production)

\*11 : Ligate Type  
\*12 : Swing Type



Multiplex Communication System (CAN RHD) (From Jan. 2013 Production)

\*16. Multi-Terrain Monitor  
\*17. Multi-Terrain Monitor





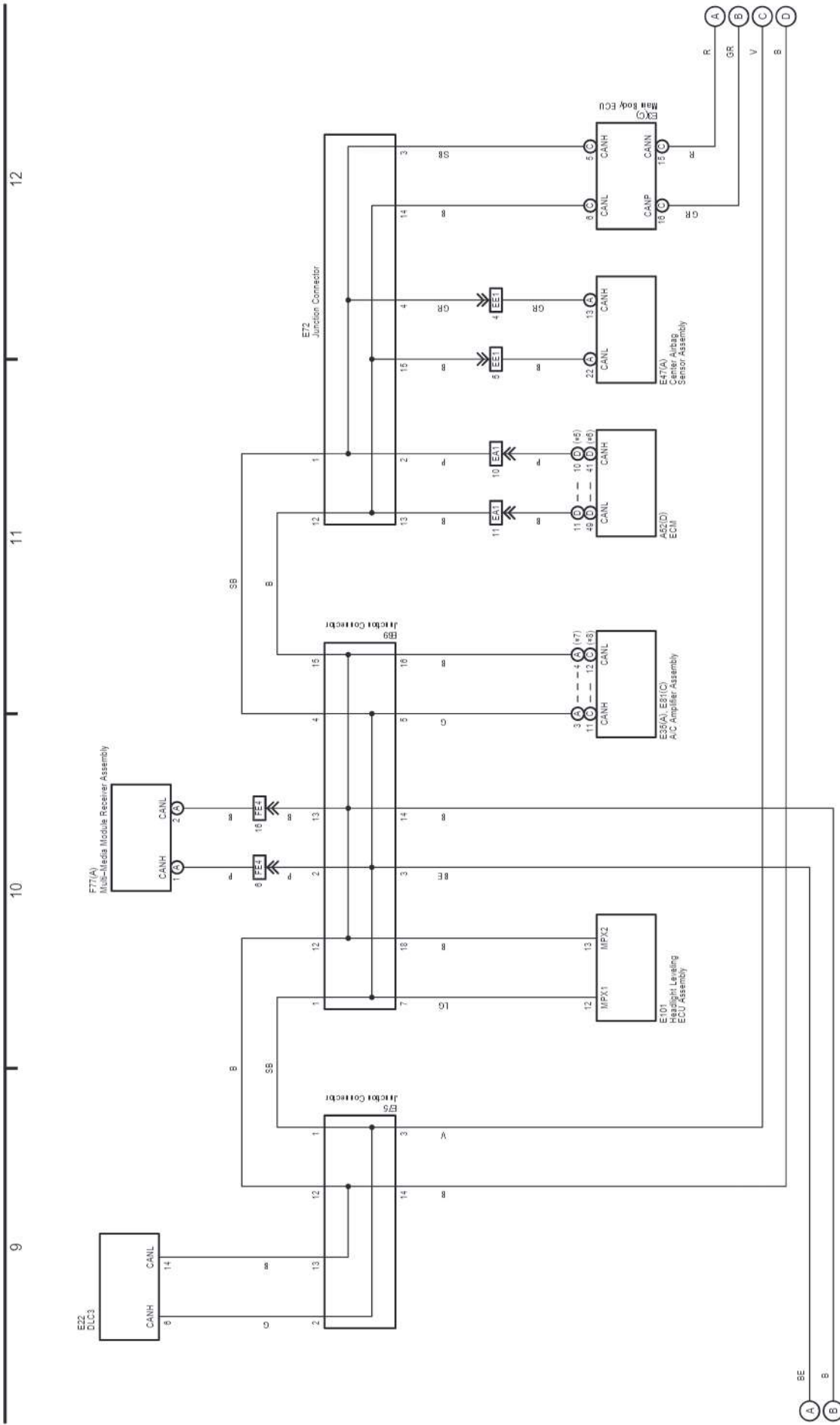
# M OVERALL ELECTRICAL WIRING DIAGRAM

86 LAND CRUISER Station Wagon (Cont' d)

(Cont. next page)

- \* 6 : UR-FE, 1GR-FE
- \* 8 : VD-FTV
- \* 7 : w/ Rear A/C
- \* 8 : w/o Rear A/C

Multiplex Communication System (CAN RHD) (From Jan. 2013 Production)



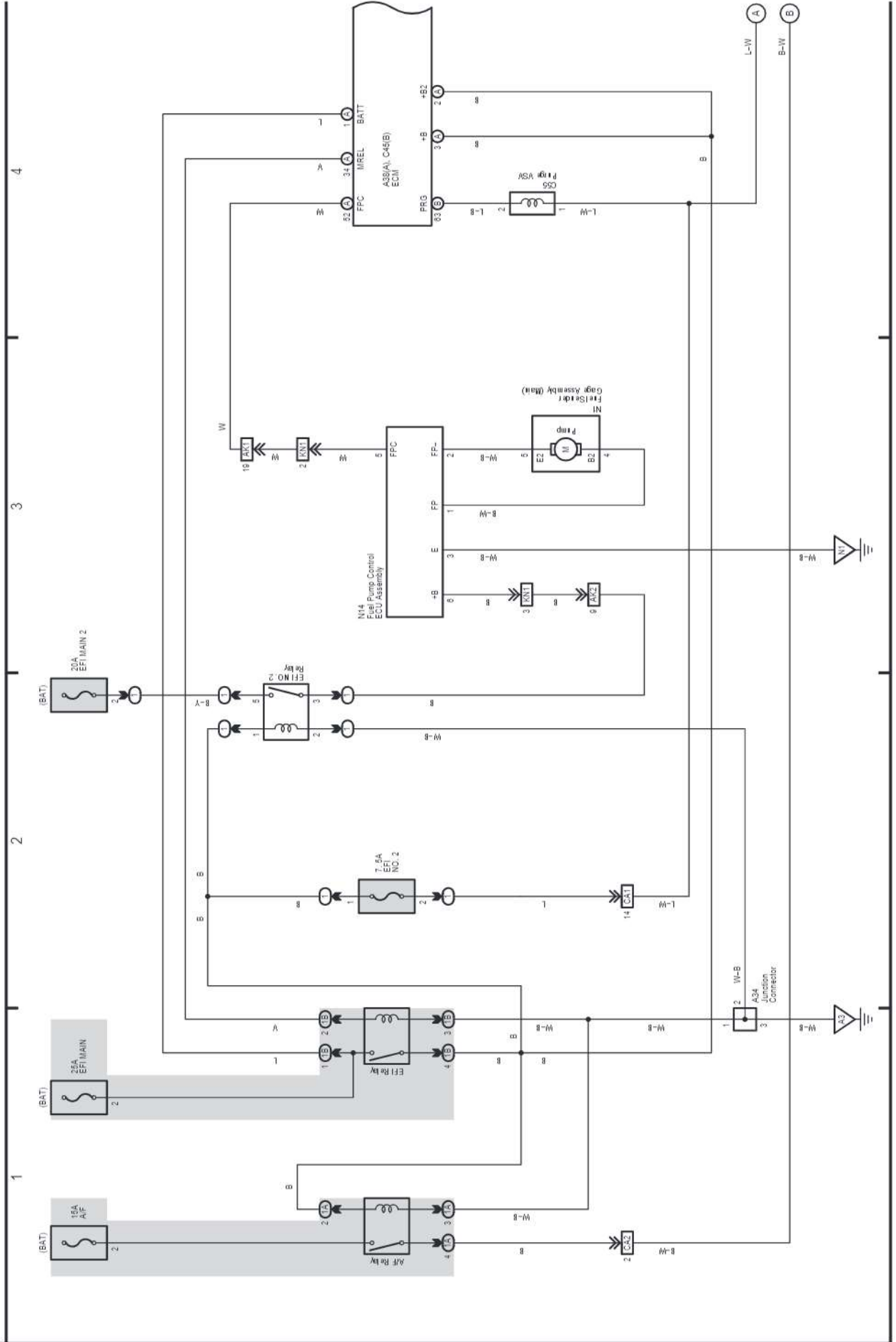


# M OVERALL ELECTRICAL WIRING DIAGRAM

(Cont. next page)

87 LAND CRUISER Station Wagon

Engine Control (3UR-EE) (From Jan. 2013 Production)



LAND CRUISER Station Wagon (EM22W1E)

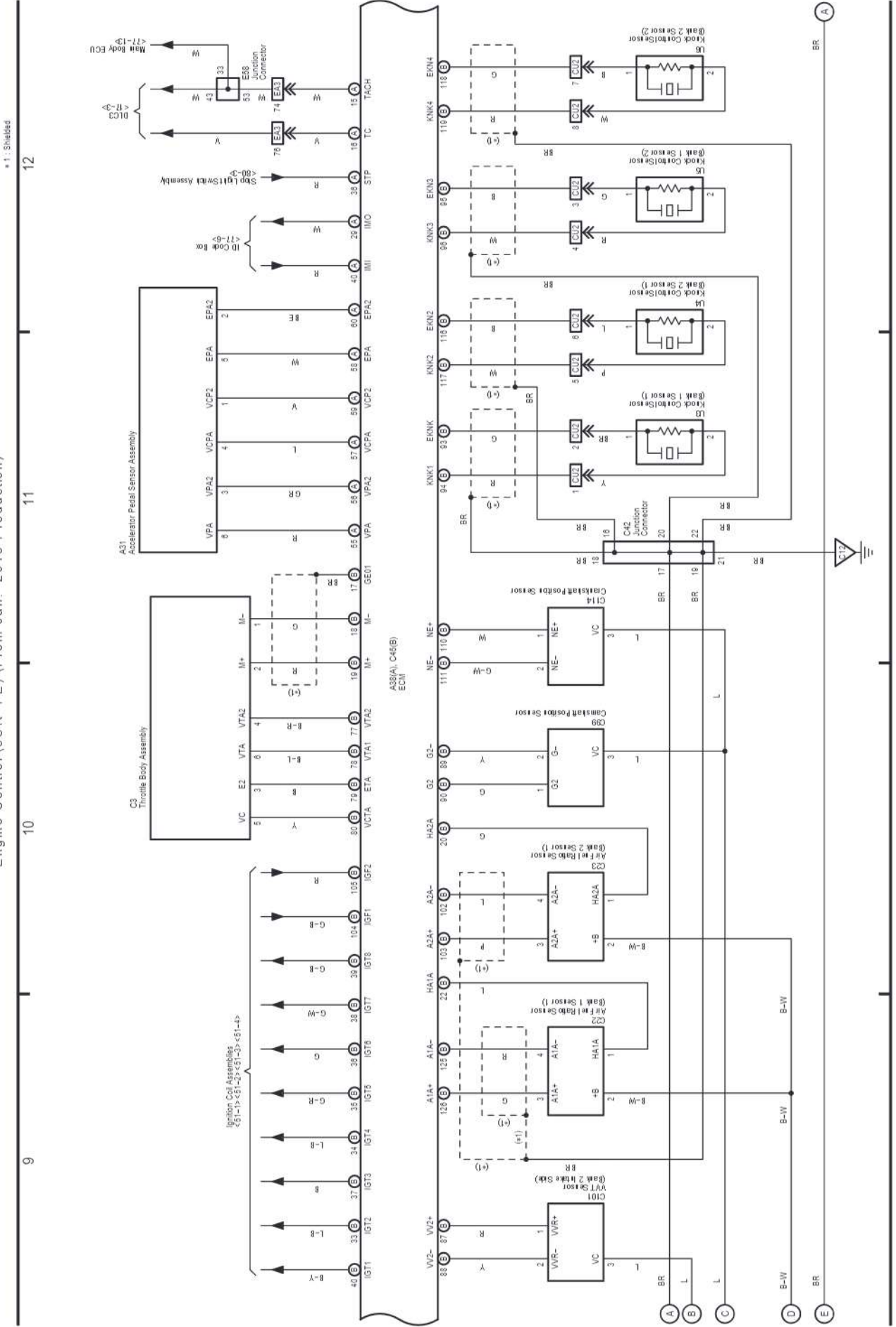


# M OVERALL ELECTRICAL WIRING DIAGRAM

87 LAND CRUISER Station Wagon (Cont' d)

(Cont. next page)

Engine Control (3UR-EE) (From Jan. 2013 Production)

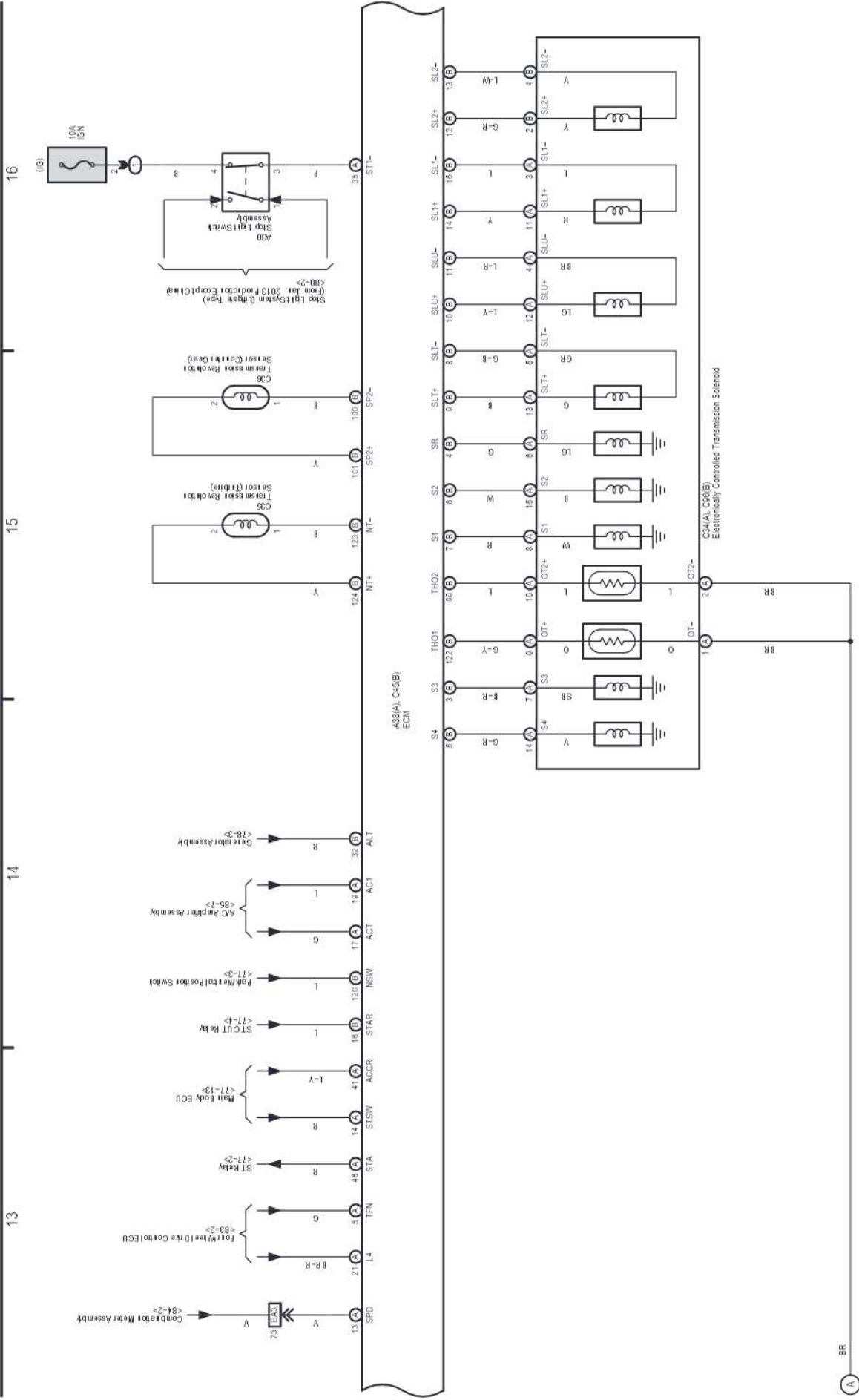


87 LAND CRUISER Station Wagon (Cont' d)

(Cont. next page)

Engine Control (3UR-FE)  
(From Jan. 2013 Production)

ECT and A/T Indicator (3UR-FE)  
(From Jan. 2013 Production)







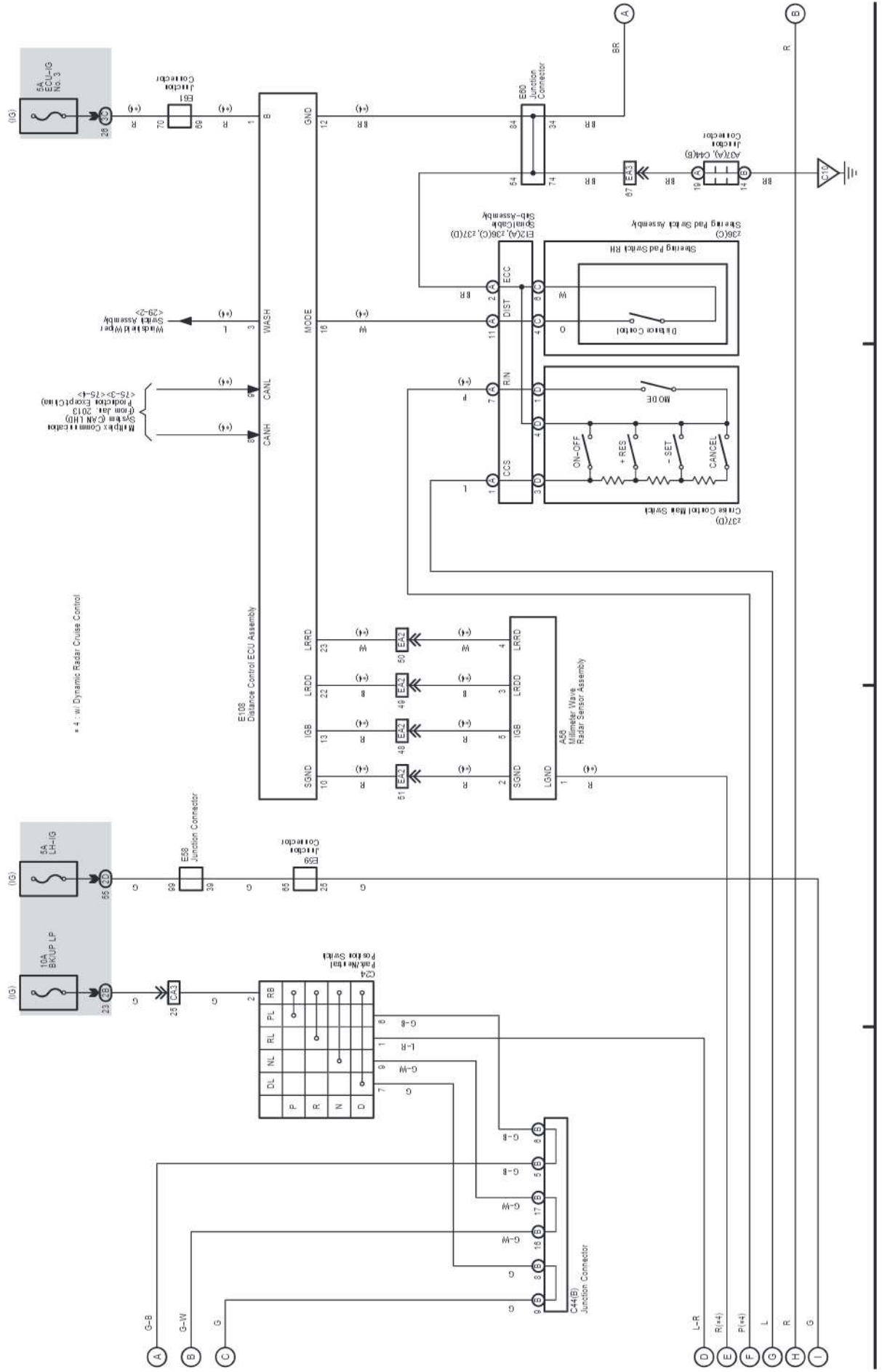
ECT and A/T Indicator (3UR-FE)  
(From Jan. 2013 Production)

Dynamic Radar Cruise Control (3UR-FE)  
(From Jan. 2013 Production)  
or Cruise Control (3UR-FE) (From Jan. 2013 Production)

21

23

24



# M OVERALL ELECTRICAL WIRING DIAGRAM

## 87 LAND CRUISER Station Wagon (Cont' d)

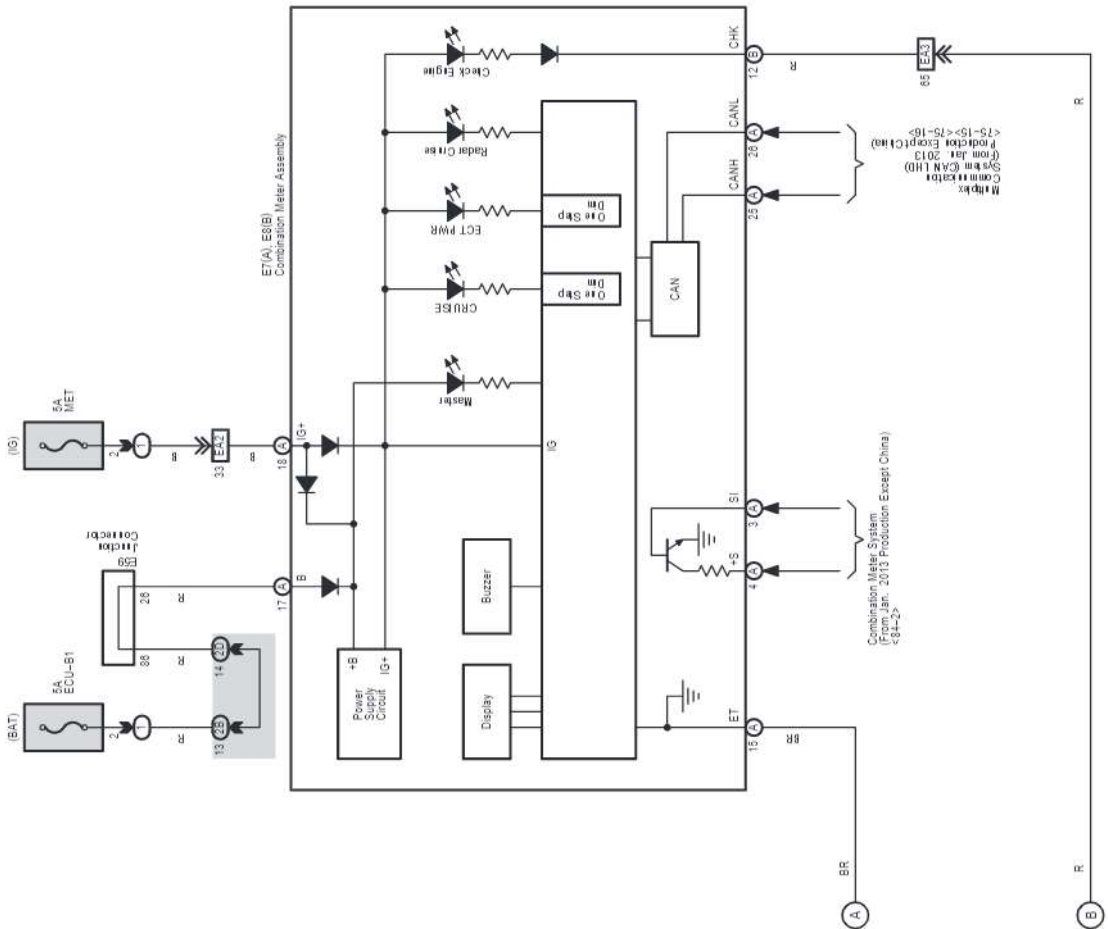
Dynamic Radar Cruise Control (3UR-FE) (From Jan. 2013 Production)  
or Cruise Control (3UR-FE) (From Jan. 2013 Production)

28

27

26

25

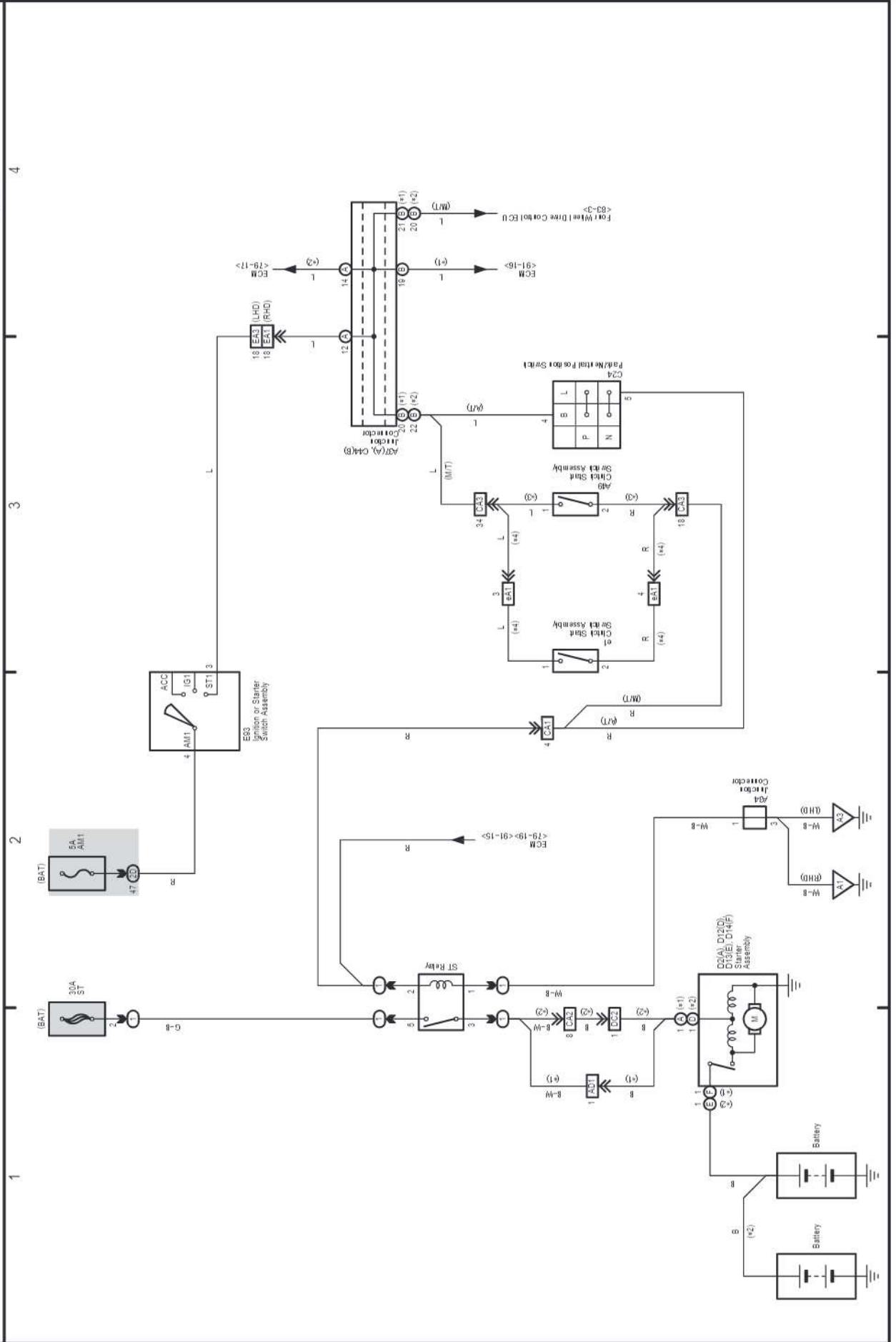


LAND CRUISER Station Wagon (EM22W1E)

88 LAND CRUISER Station Wagon

Starting (w/o Entry & Start System) (From Jan. 2013 Production)

- \*1: Gasoline
- \*2: Diesel
- \*3: LHD MIT
- \*4: RHD MIT



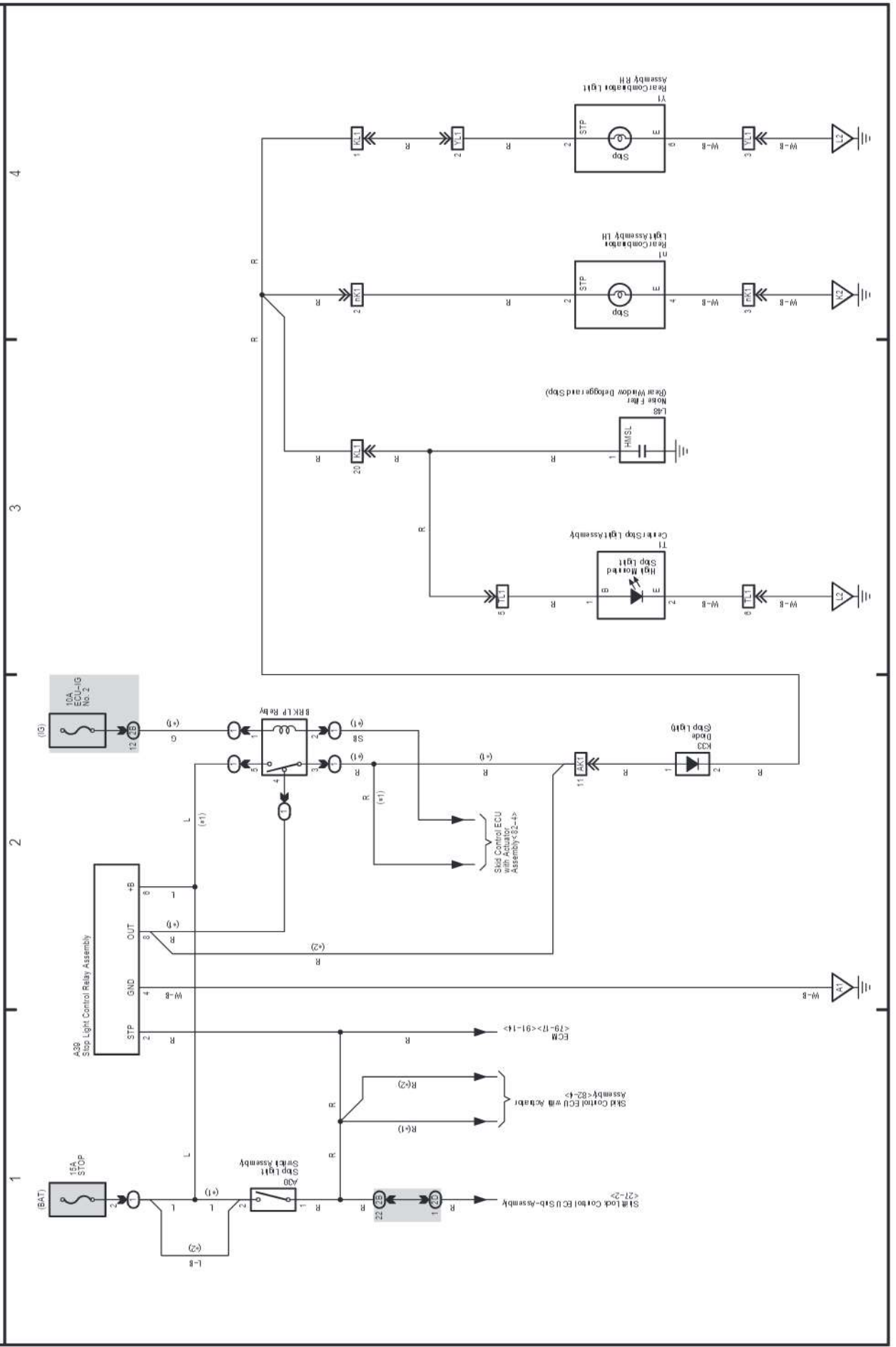
LAND CRUISER Station Wagon (EM22W1E)

# M OVERALL ELECTRICAL WIRING DIAGRAM

89 LAND CRUISER Station Wagon

Stop Light (Swing Type) (From Jan. 2013 Production)

\* 1 : w/ BRK/LP Relay  
\* 2 : w/o BRK/LP Relay



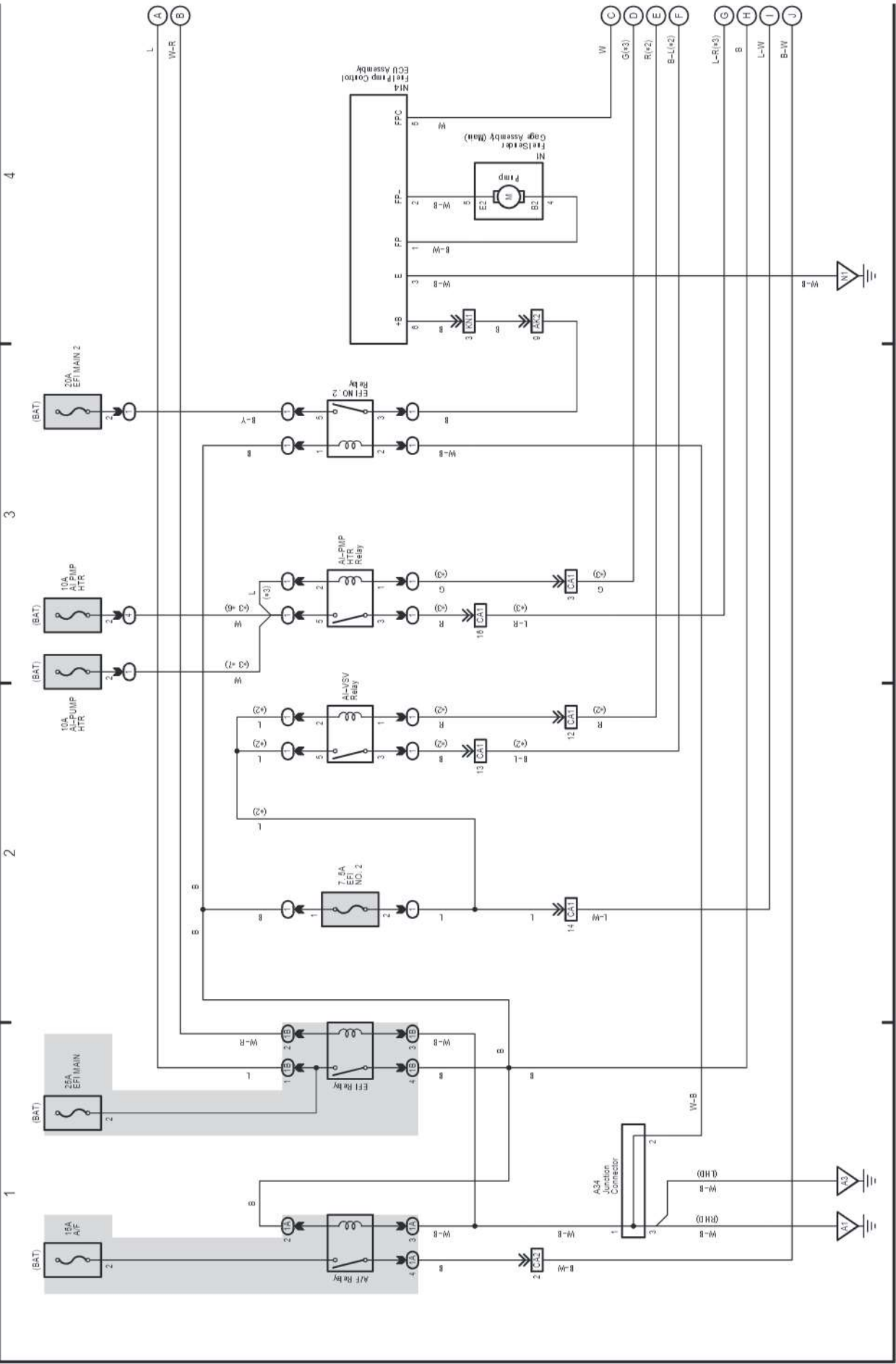
# M OVERALL ELECTRICAL WIRING DIAGRAM

(Cont. next page)

90 LAND CRUISER Station Wagon

- \* 2 : w/ Air Injection Control Driver
- \* 3 : w/ Air Injection Control Driver w/ AI-PMP HTR Relay
- \* 6 : w/ Heated Windshield Defroster
- \* 7 : w/o Heated Windshield Defroster

## Engine Control (1UR-FE) (From Jan. 2013 Production Except China)



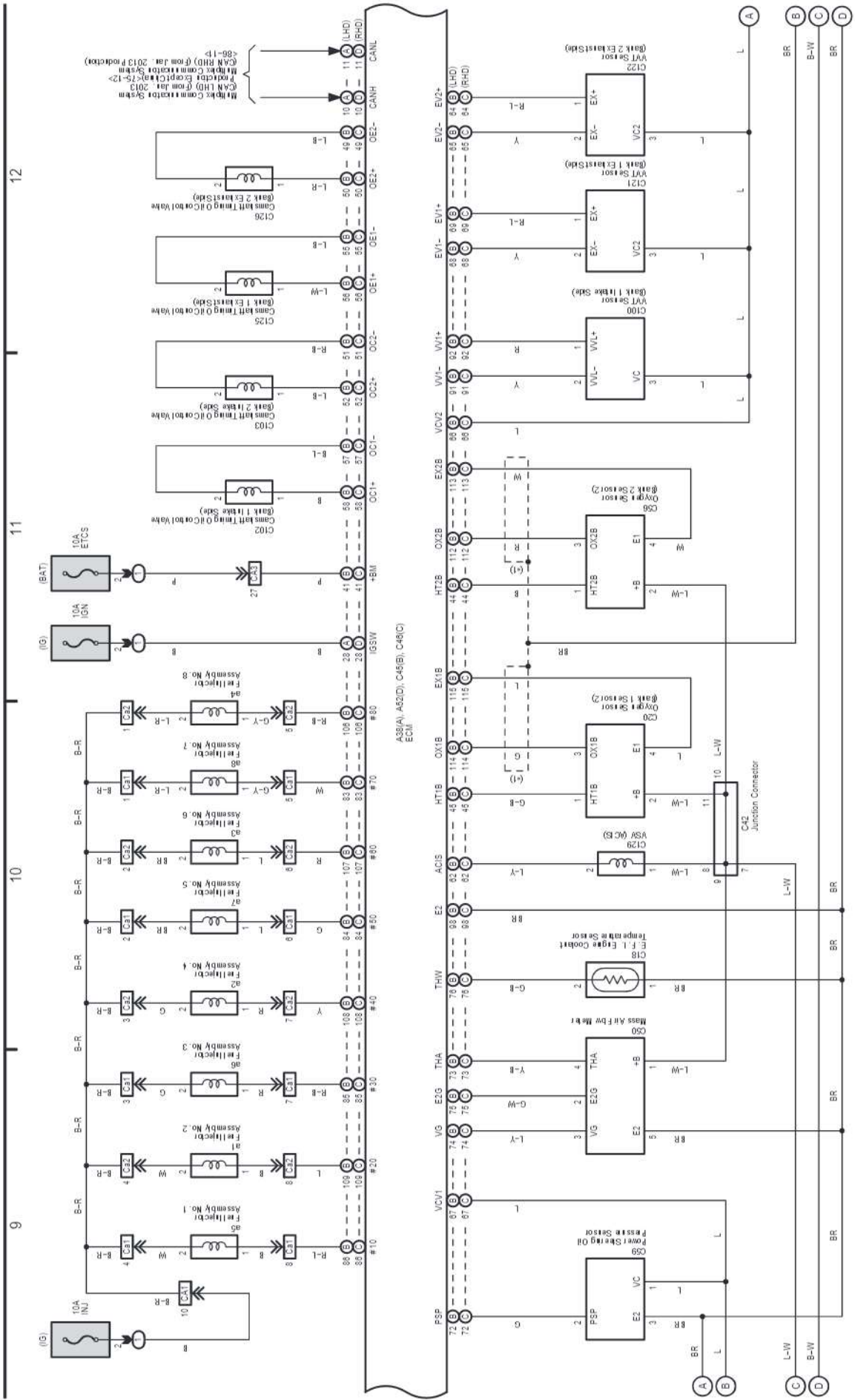
LAND CRUISER Station Wagon (EM22W1E)





Engine Control (1UR-EE)  
(From Jan. 2013 Production Except China)

\* 1: Shielded





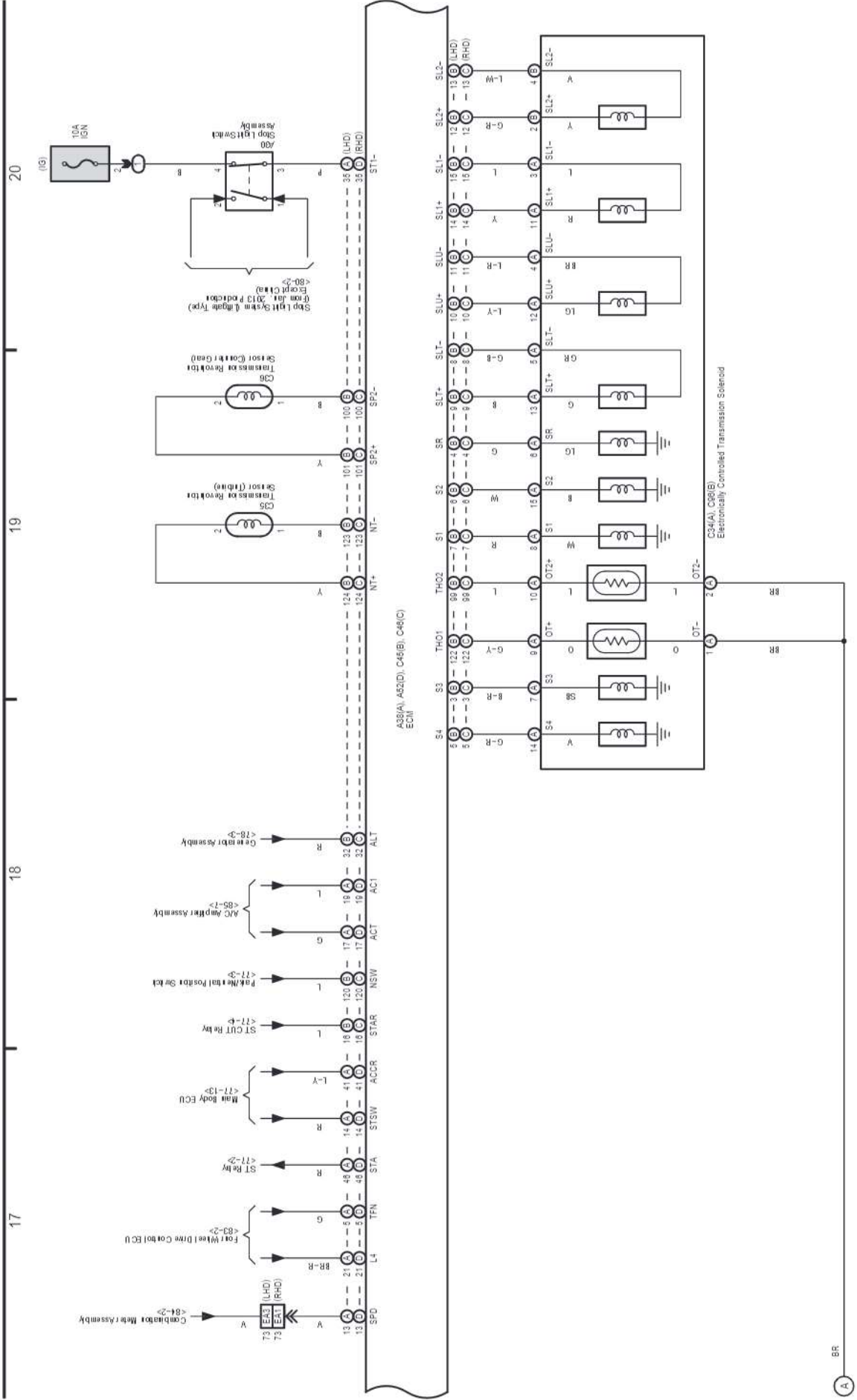
# M OVERALL ELECTRICAL WIRING DIAGRAM

90 LAND CRUISER Station Wagon (Cont' d)

(Cont. next page)

Engine Control (1UR-FE)  
(From Jan. 2013 Production Except China)

ECT and A/T Indicator (1UR-FE)  
(From Jan. 2013 Production Except China)



LAND CRUISER Station Wagon (EM22W1E)





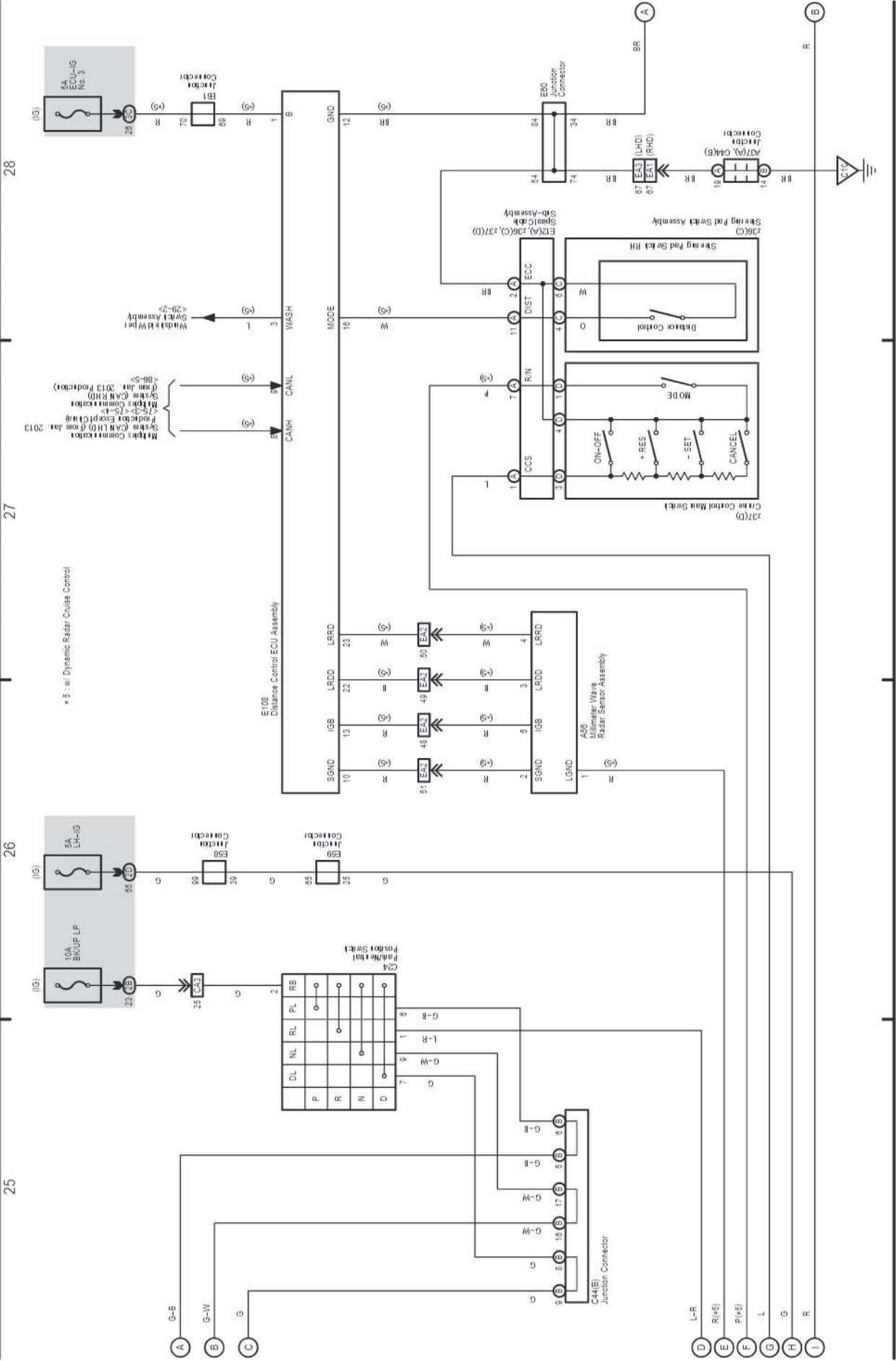
# M OVERALL ELECTRICAL WIRING DIAGRAM

90 LAND CRUISER Station Wagon (Cont' d)

(Cont. next page)

Dynamic Radar Cruise Control (1UR-FE)  
 (From Jan. 2013 Production Except China) or Cruise Control  
 (1UR-FE) (From Jan. 2013 Production Except China)

ECT and A/T Indicator (1UR-FE)  
 (From Jan. 2013 Production Except China)





90 LAND CRUISER Station Wagon (Cont' d)

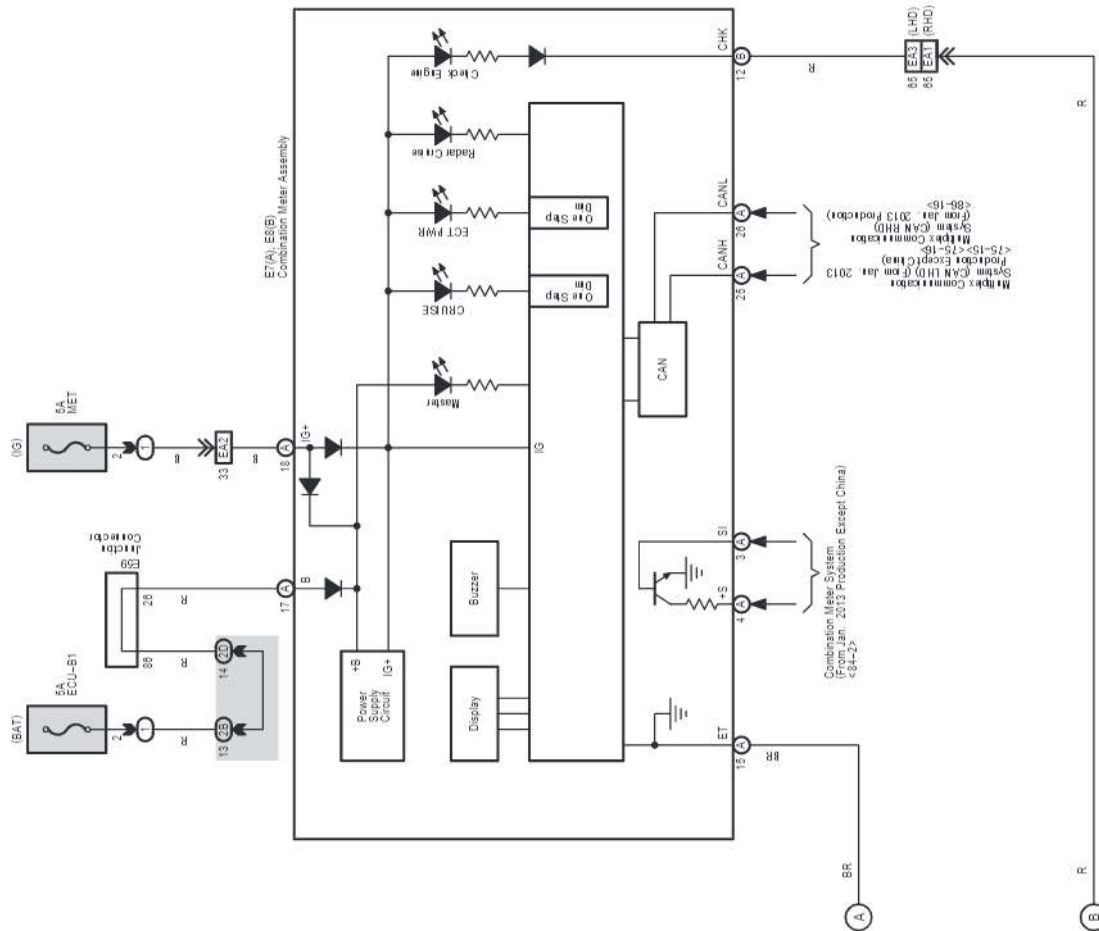
Dynamic Radar Cruise Control (1UR-FE) (From Jan. 2013 Production Except China)  
 or Cruise Control (1UR-FE) (From Jan. 2013 Production Except China)

32

31

30

29



LAND CRUISER Station Wagon (EM22W1E)

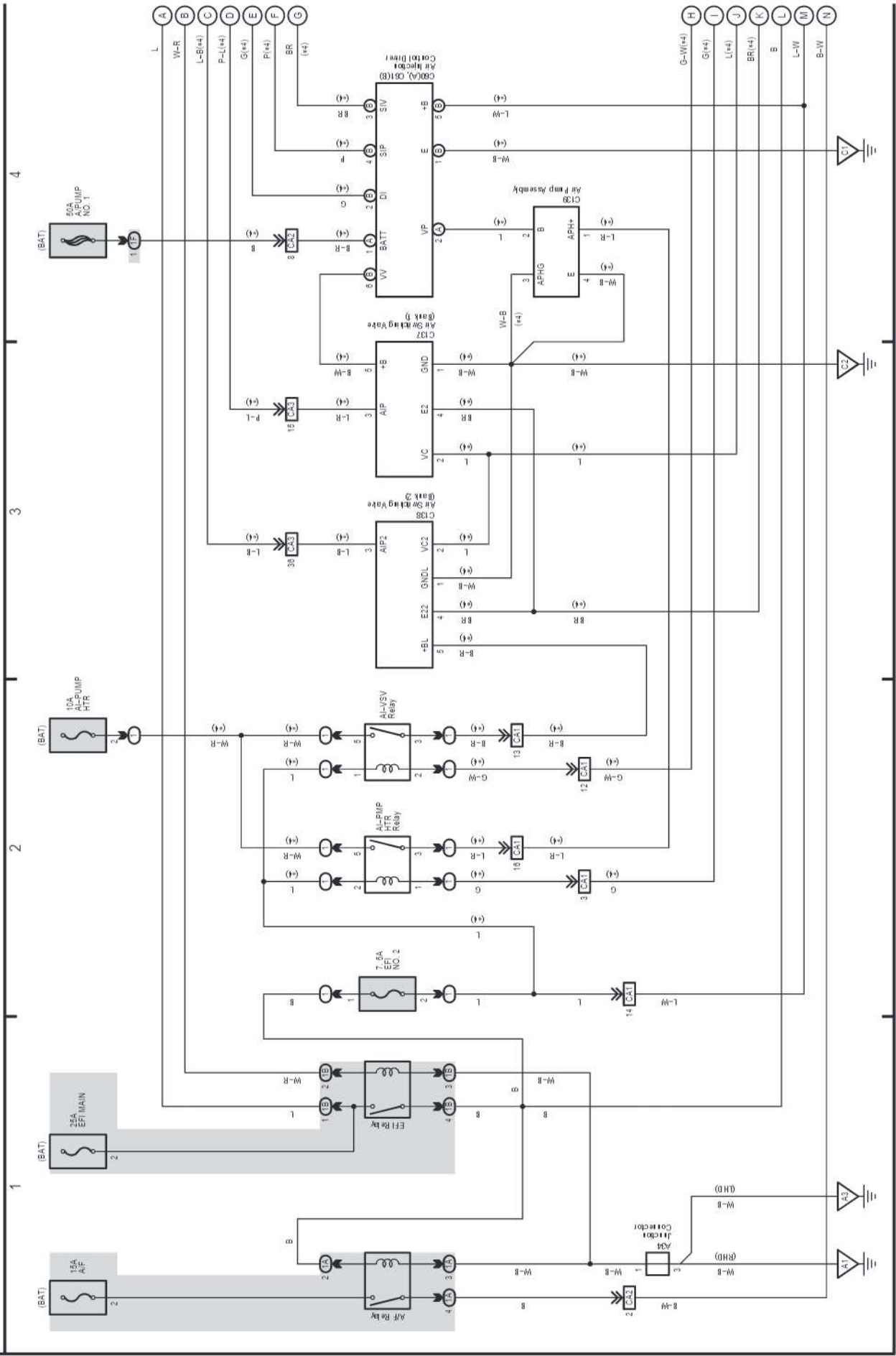
# M OVERALL ELECTRICAL WIRING DIAGRAM

(Cont. next page)

91 LAND CRUISER Station Wagon

Engine Control (1GR-FE) (From Jan. 2013 Production Except China)

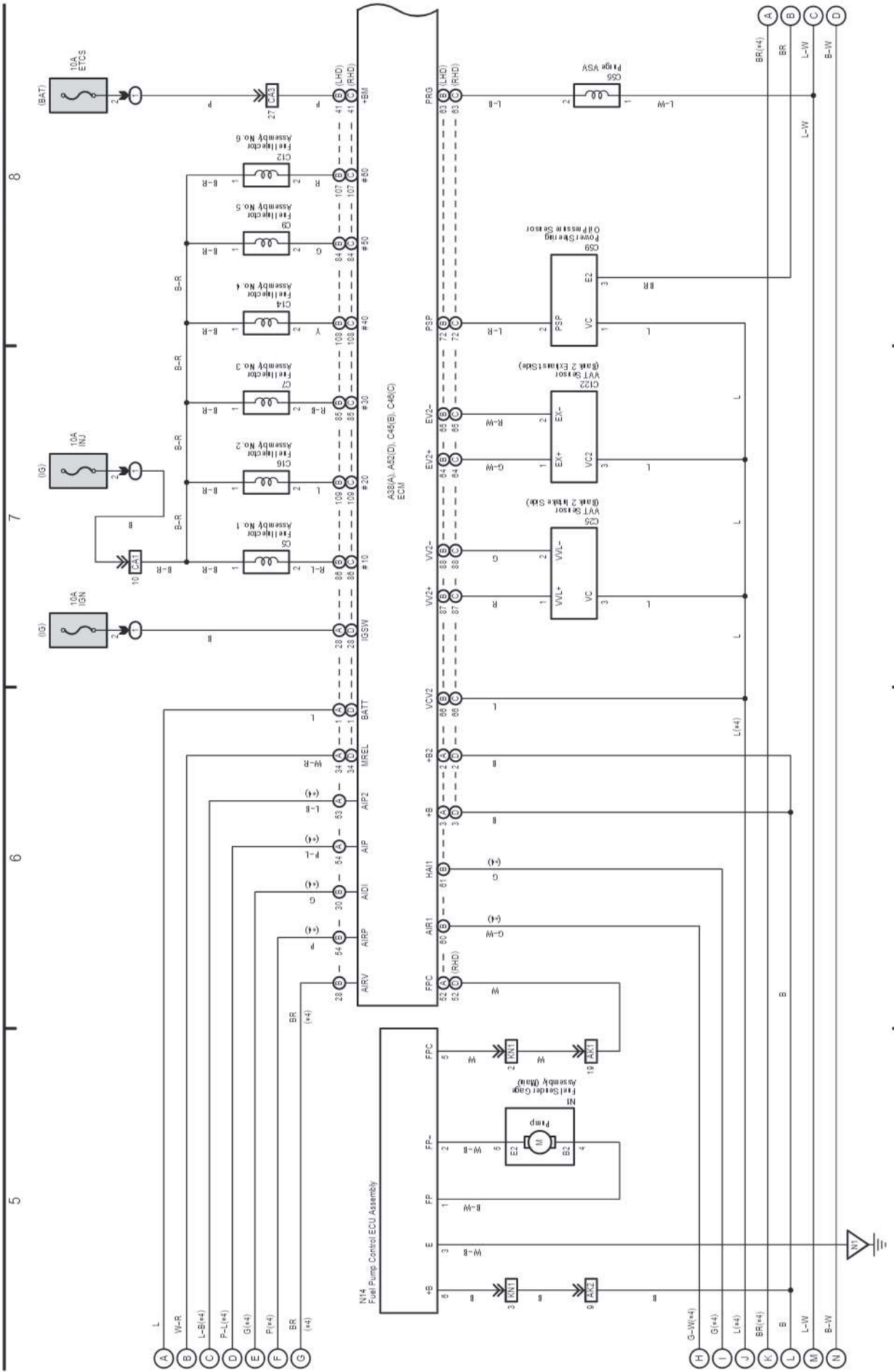
\* 4 : w/ Air Injection Control Driver



LAND CRUISER Station Wagon (EM22W1E)

Engine Control (1GR-FE) (From Jan. 2013 Production Except China)

\*4: w/ Air Injection Control Driver



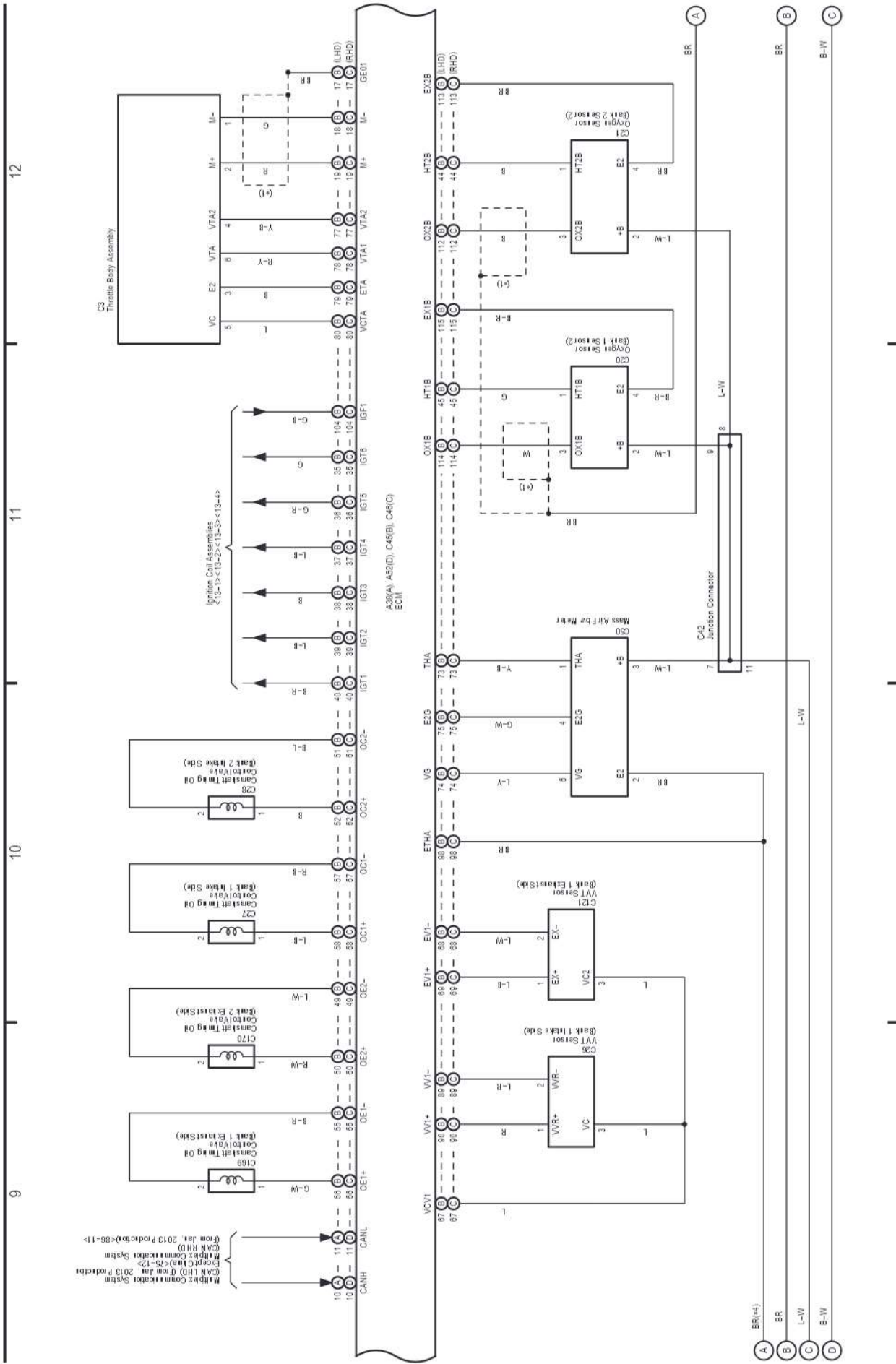
# M OVERALL ELECTRICAL WIRING DIAGRAM

(Cont. next page)

91 LAND CRUISER Station Wagon (Cont' d)

Engine Control (1GR-FE) (From Jan. 2013 Production Except China)

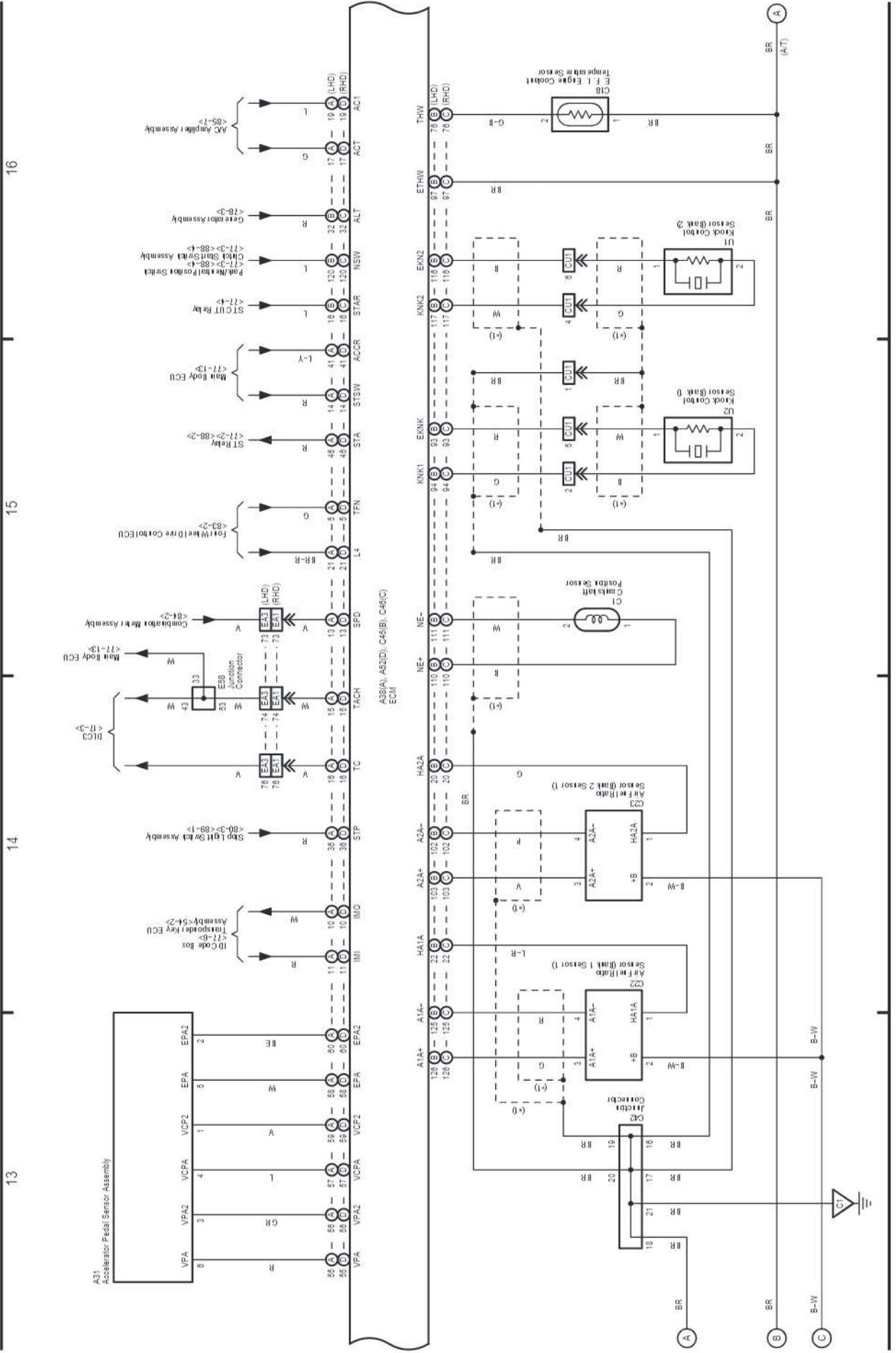
\* 1 : Shielded  
\* 4 : w/ Air Injection Control Driver



LAND CRUISER Station Wagon (EM22W1E)

Engine Control (1GR-FE) (From Jan. 2013 Production Except China)

\* 1: Shielded



LAND CRUISER Station Wagon (EM22W1E)

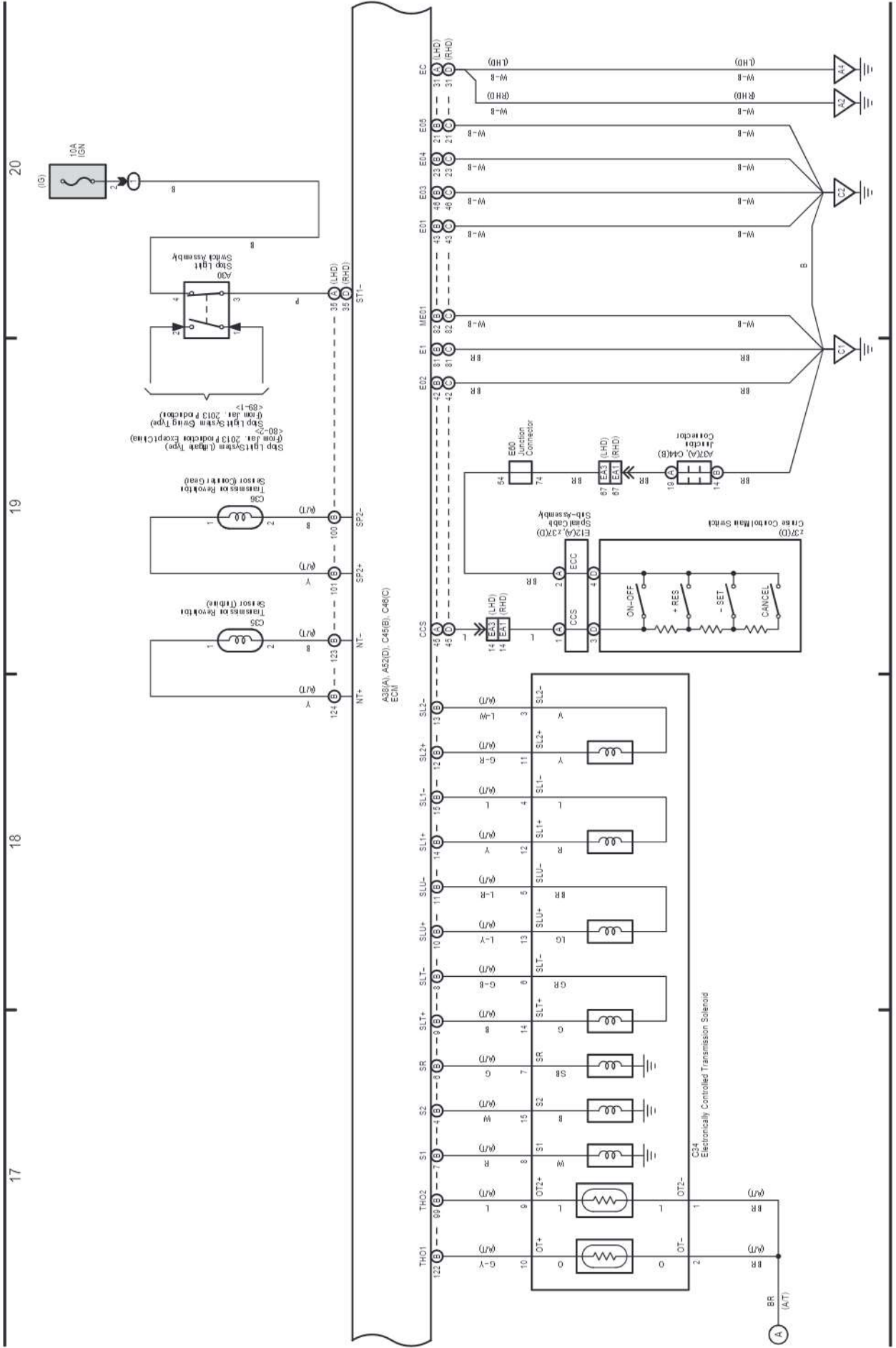


# M OVERALL ELECTRICAL WIRING DIAGRAM

91 LAND CRUISER Station Wagon (Cont' d)

(Cont. next page)

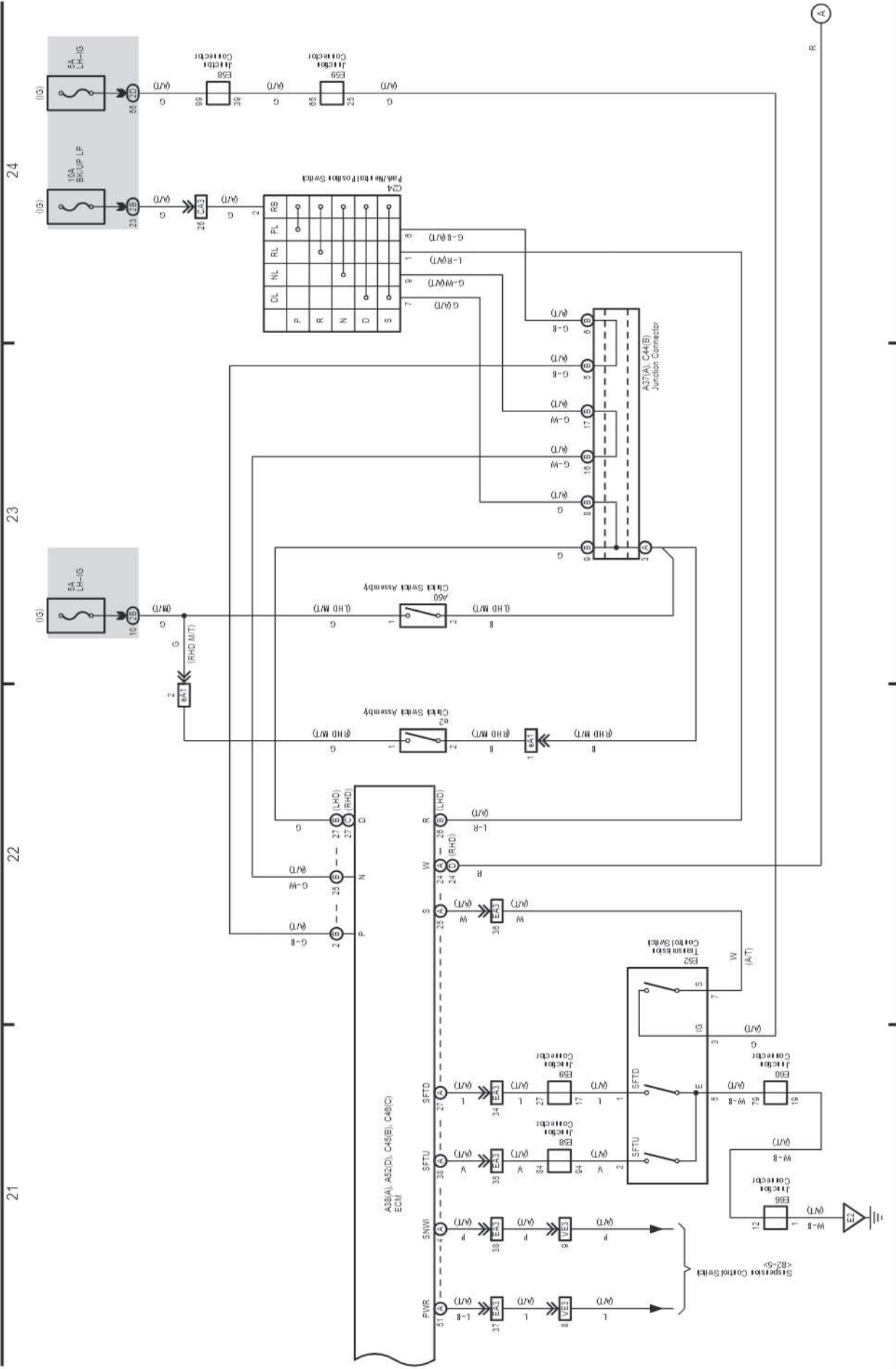
Cruise Control (1GR-FE) (From Jan. 2013 Production Except China)



LAND CRUISER Station Wagon (EM22W1E)



ECT and A/T Indicator (1GR-FE) (From Jan. 2013 Production Except China)



LAND CRUISER Station Wagon (EM22W1E)

# M OVERALL ELECTRICAL WIRING DIAGRAM

## 91 LAND CRUISER Station Wagon (Cont' d)

ECT and A/T Indicator (1GR-FE) (From Jan. 2013 Production Except China)

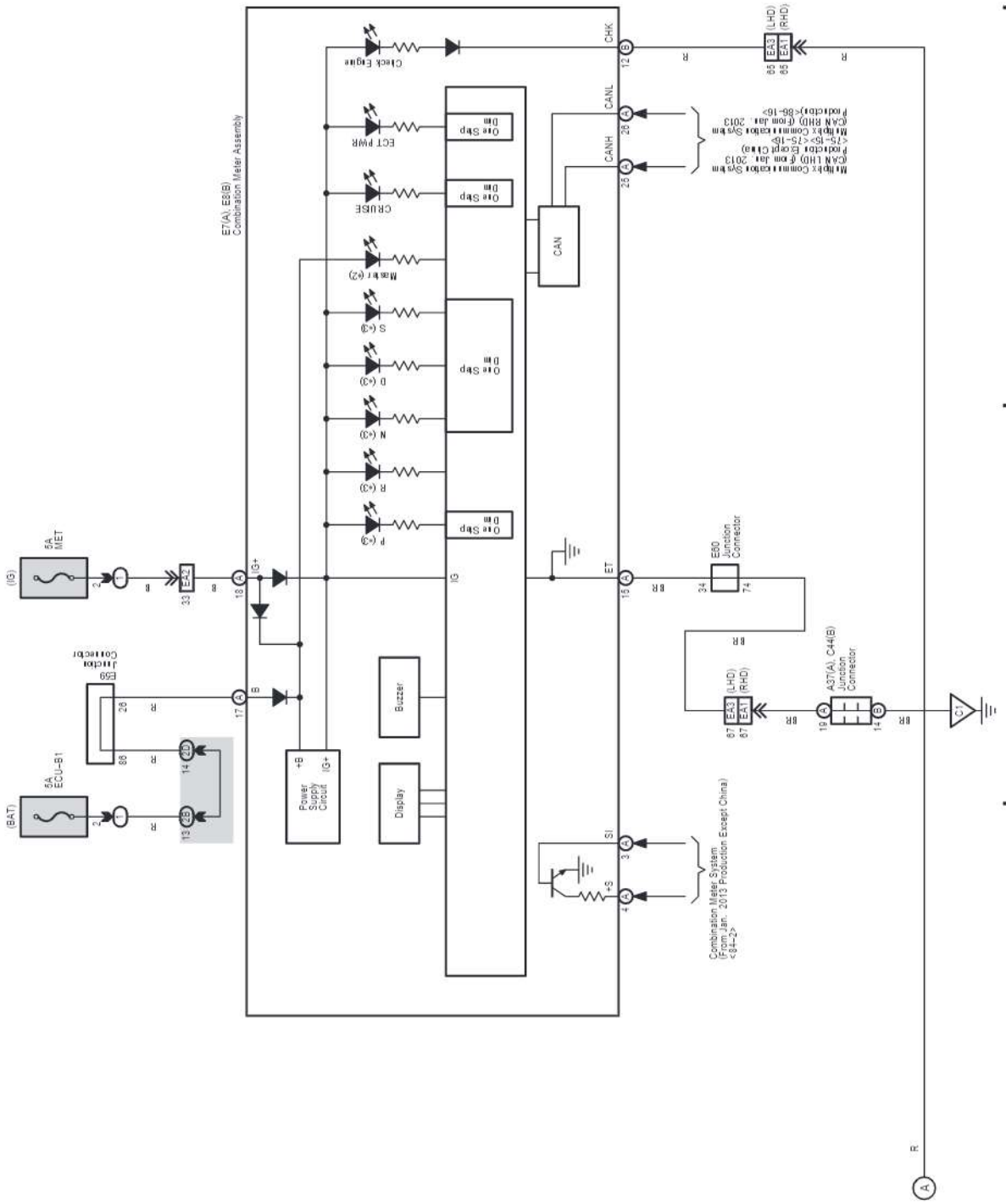
\* 2 : Option Meter  
\* 3 : Except Option Meter

28

27

26

25

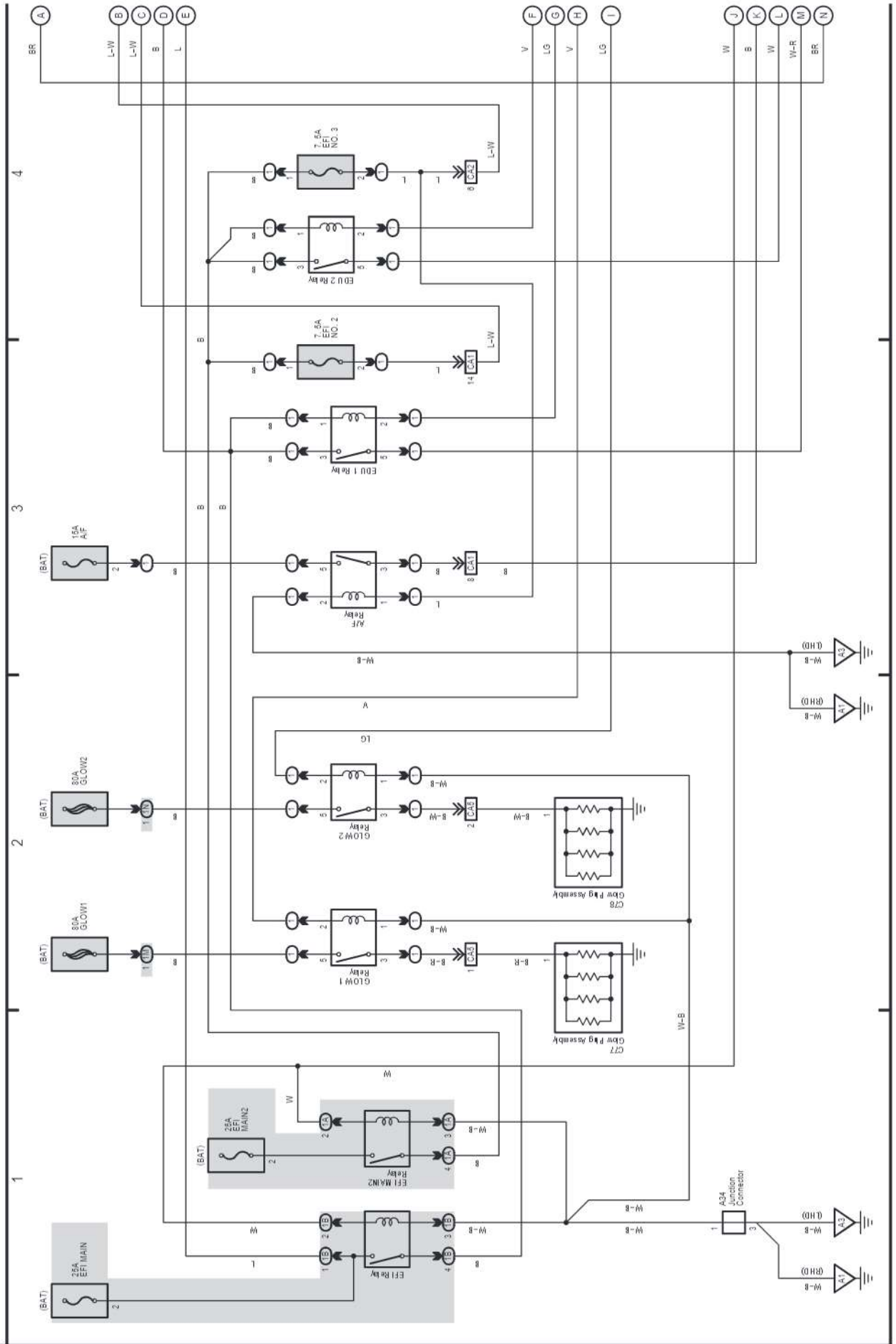


# M OVERALL ELECTRICAL WIRING DIAGRAM

(Cont. next page)

92 LAND CRUISER Station Wagon

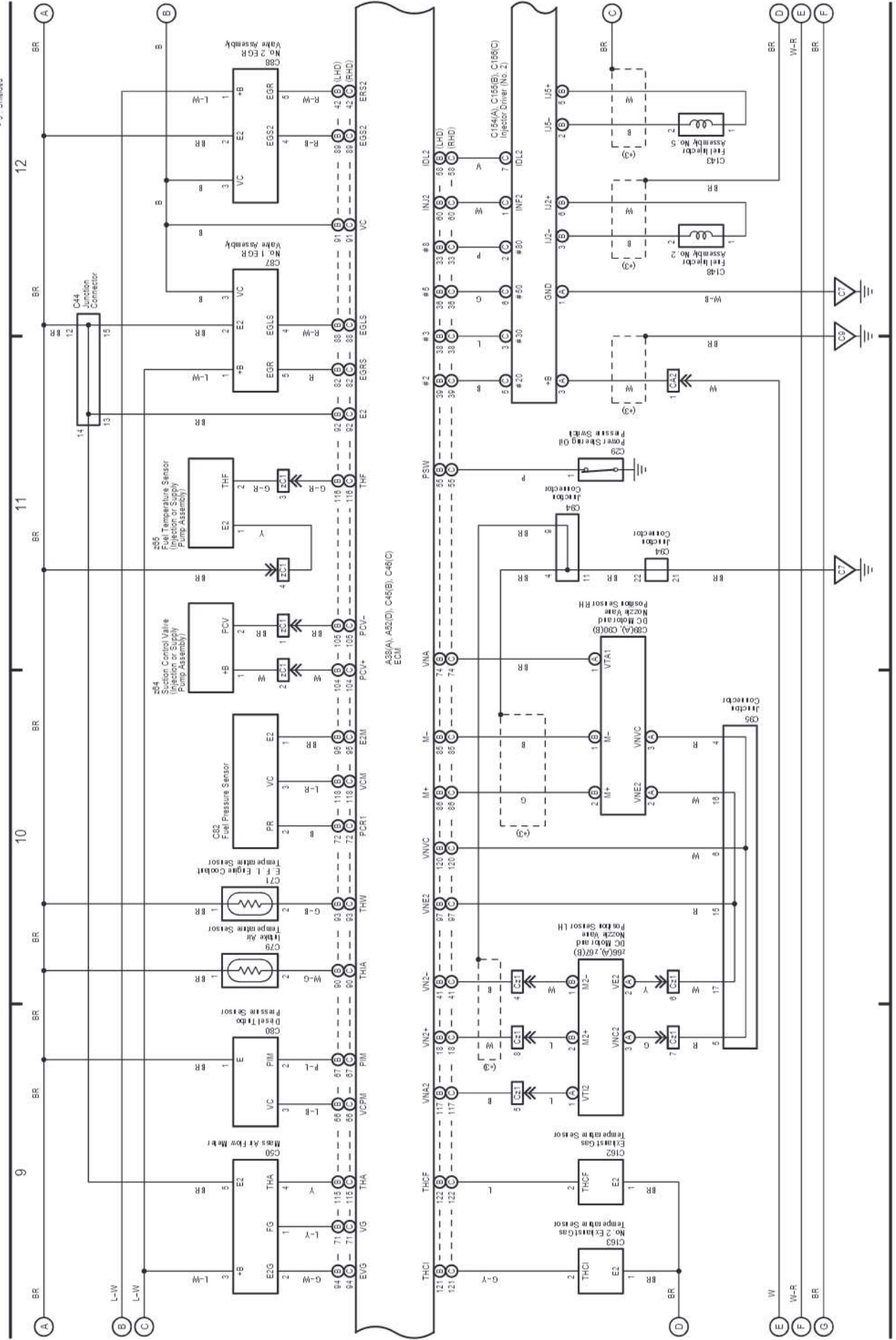
Engine Control (1VD-FTV w/ DPF) (From Jan. 2013 Production)



LAND CRUISER Station Wagon (EM22W1E)



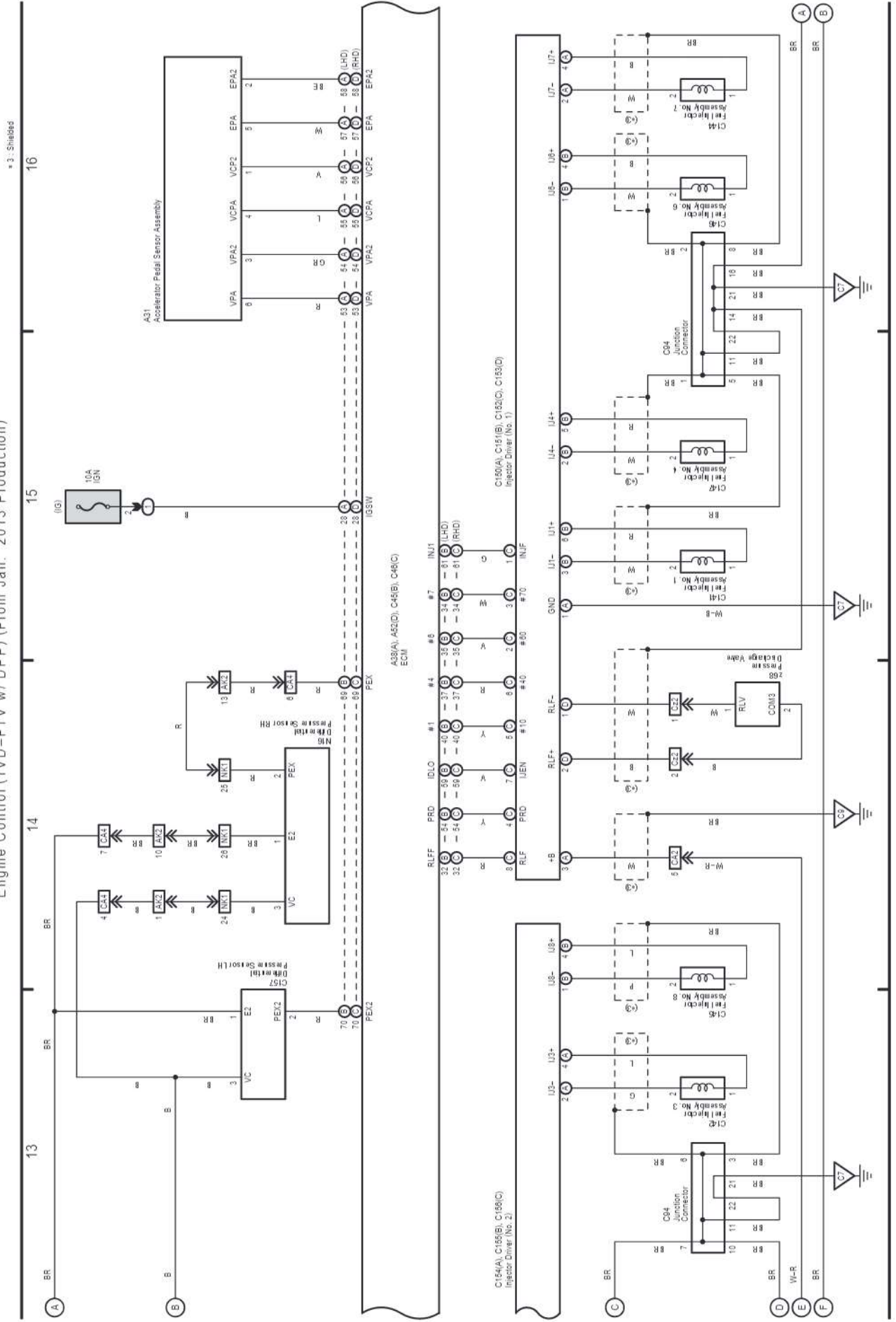
Engine Control (1VD-FTV w/DPF) (From Jan. 2013 Production)



LAND CRUISER Station Wagon (EM22W1E)



Engine Control (1VD-FTV w/DPF) (From Jan. 2013 Production)

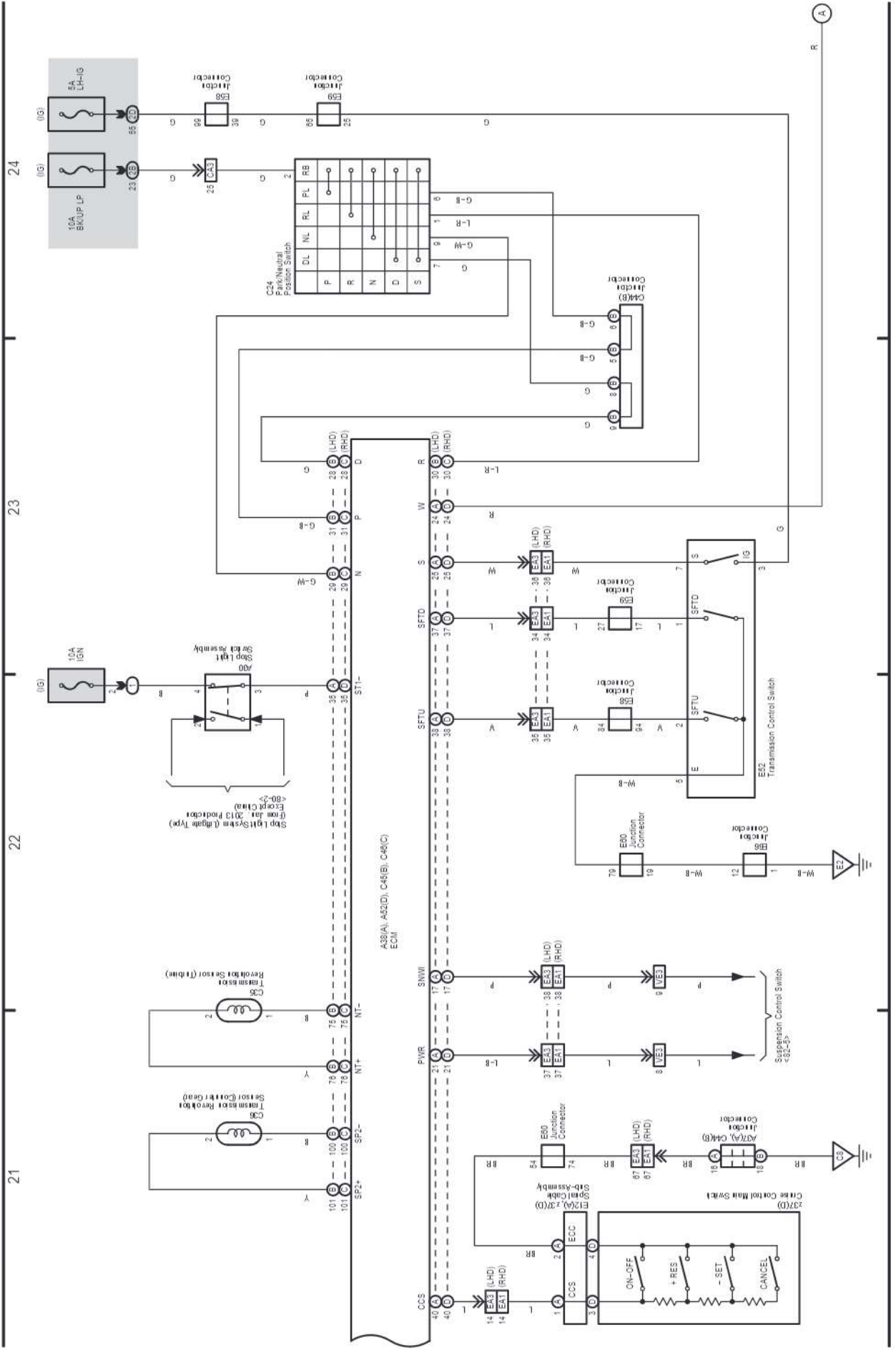






Cruise Control (1VD-FTV w/ DPF)  
(From Jan. 2013 Production)

ECT and A/T Indicator (1VD-FTV w/ DPF)  
(From Jan. 2013 Production)



# M OVERALL ELECTRICAL WIRING DIAGRAM

## 92 LAND CRUISER Station Wagon (Cont' d)

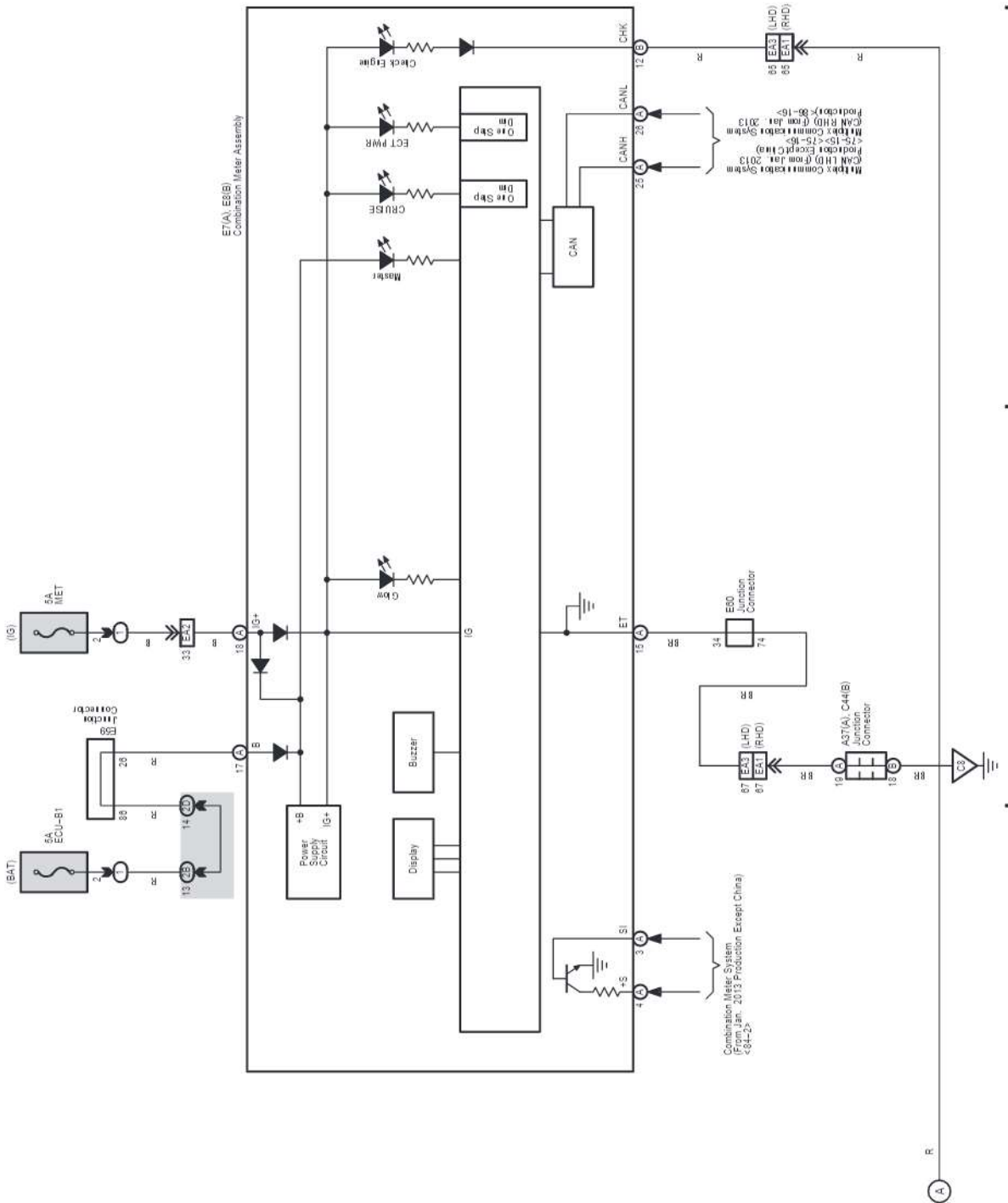
ECT and A/T Indicator (1VD-FTV w/ DPF)  
(From Jan. 2013 Production)

28

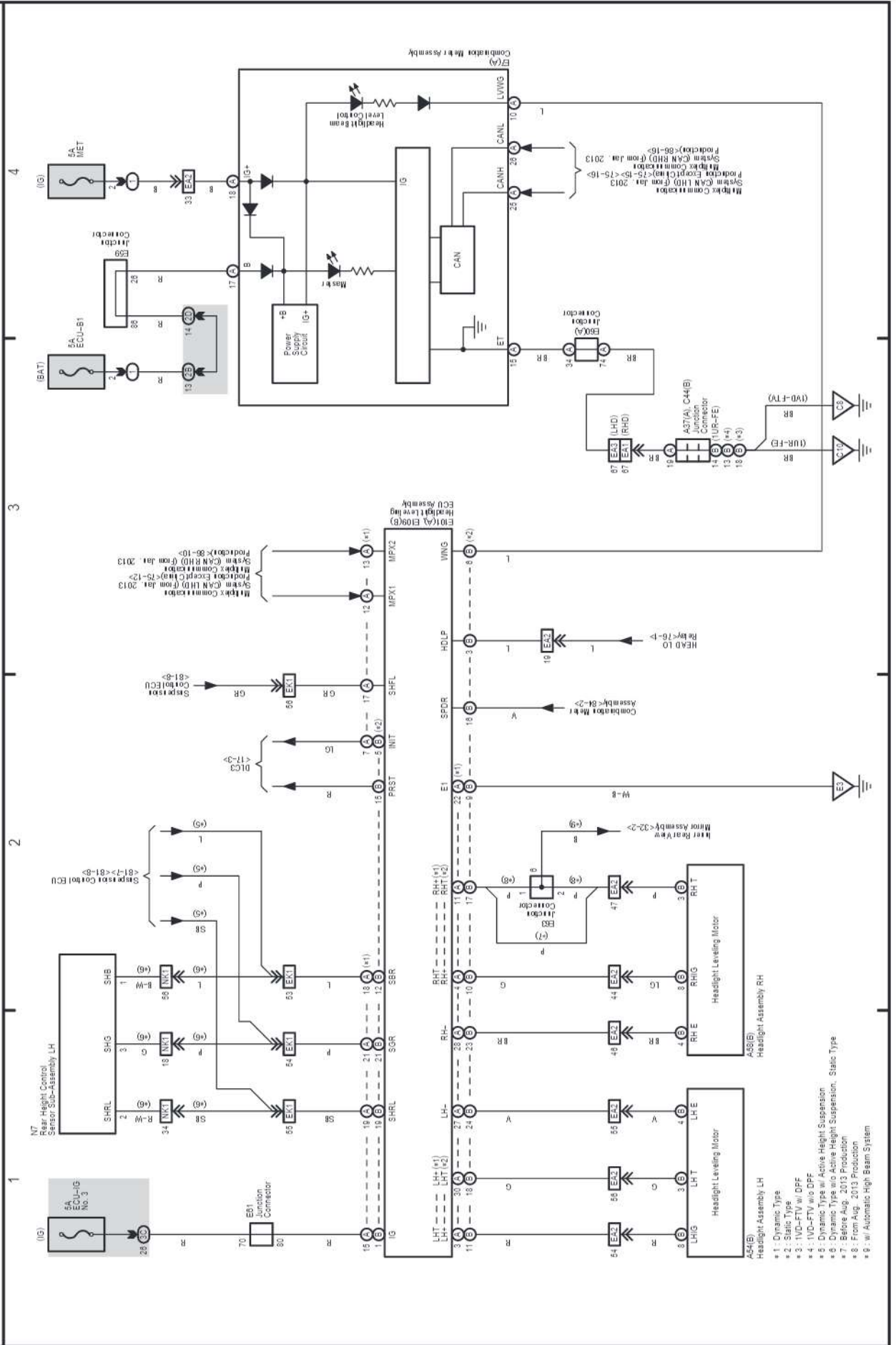
27

26

25



Headlight Beam Level Control (Automatic)  
(From Jan. 2013 Production Except China)

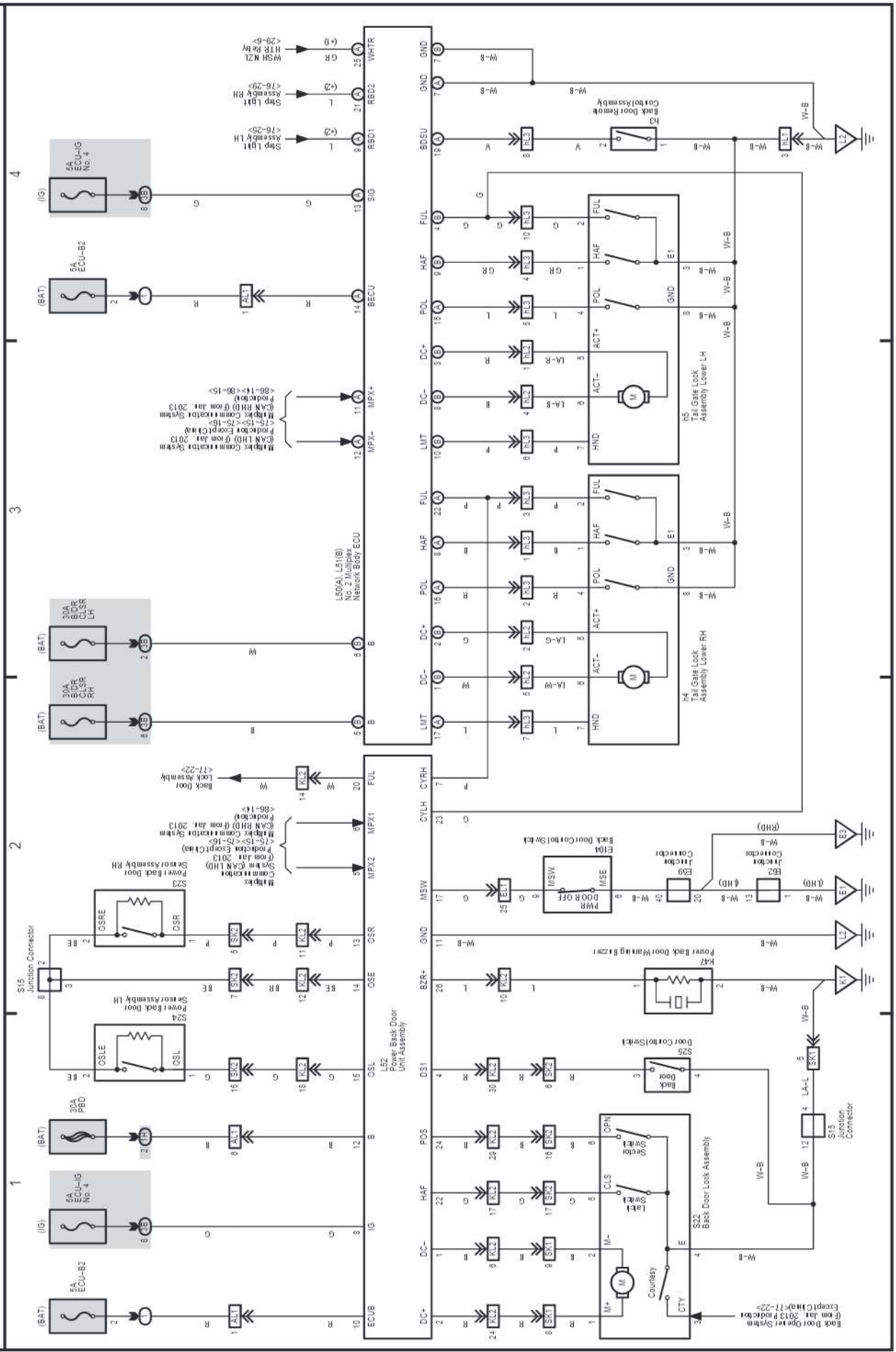


# M OVERALL ELECTRICAL WIRING DIAGRAM

## 94 LAND CRUISER Station Wagon

Power Back Door (From Jan. 2013 Production Except China)

\* 1: w/ Washer Nozzle-Heater System  
# 2: w/ Sleep Light Assembly



LAND CRUISER Station Wagon (EM22W1E)

